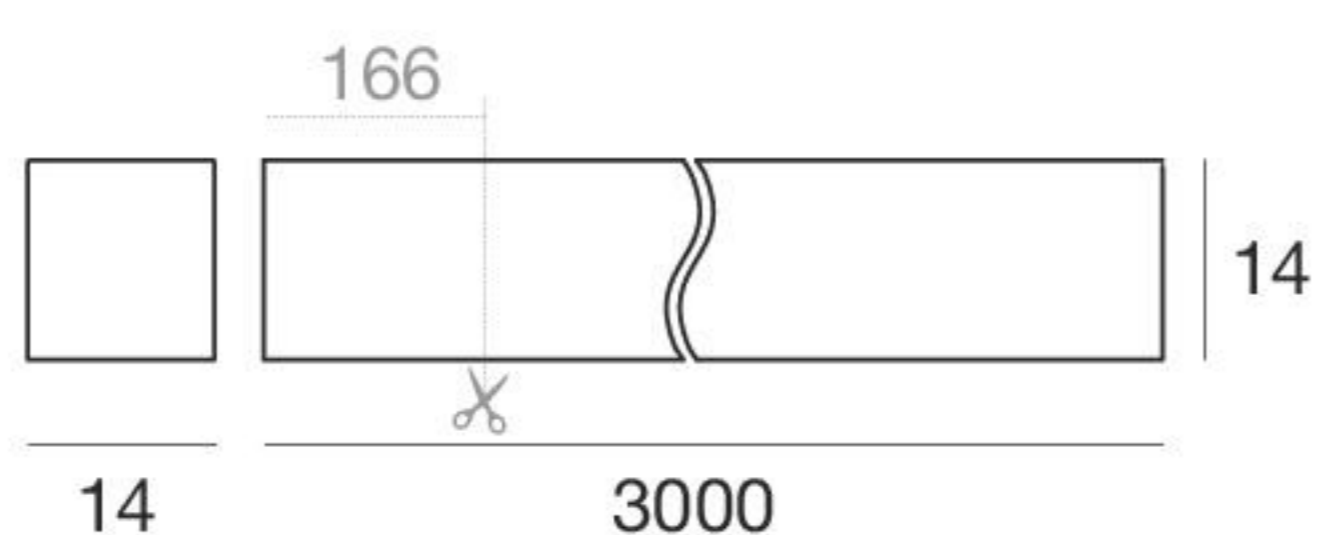
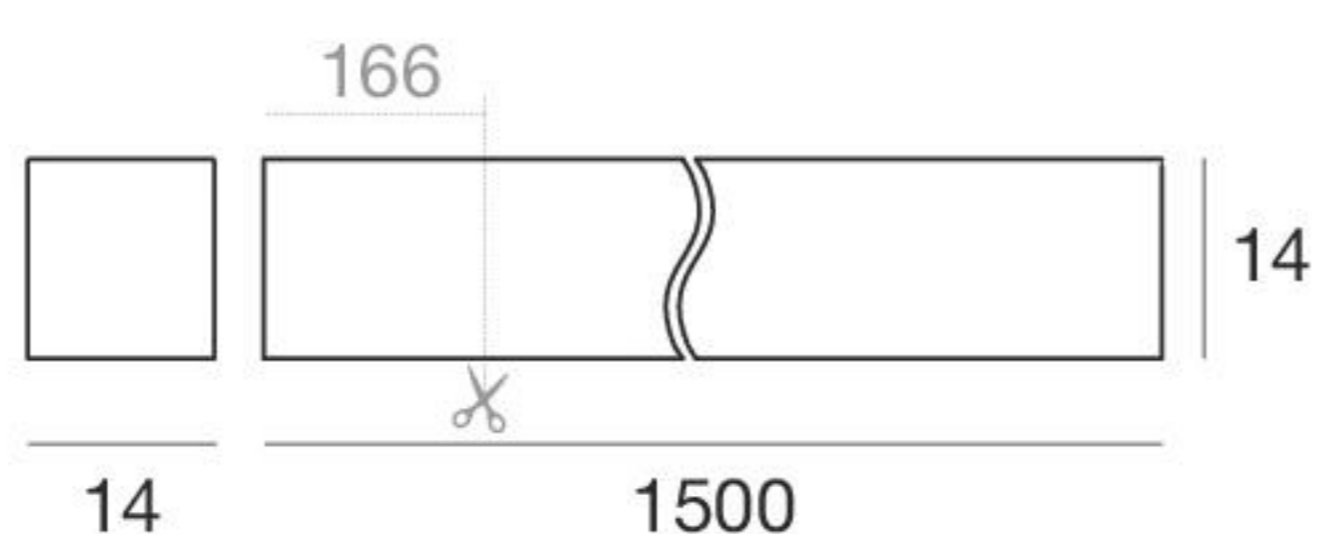
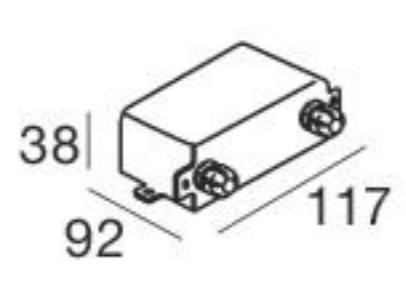
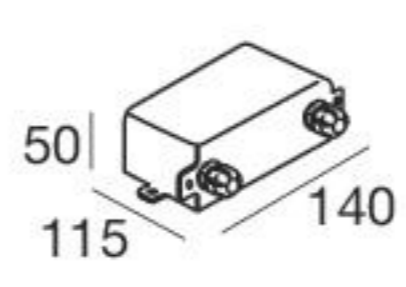
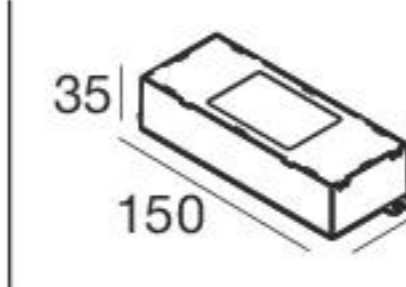
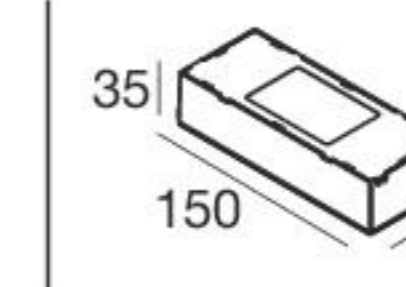
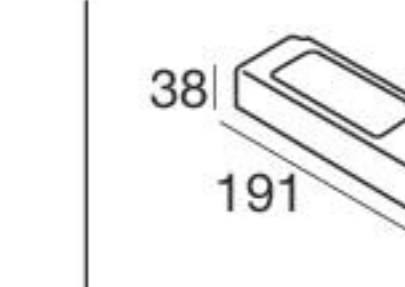


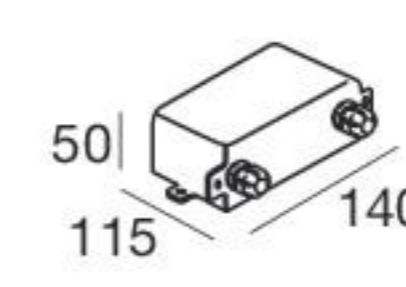
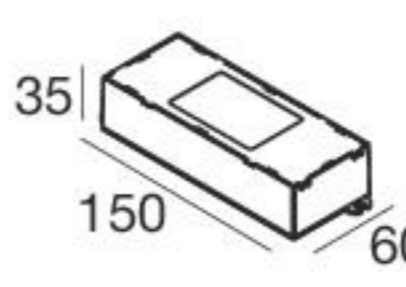
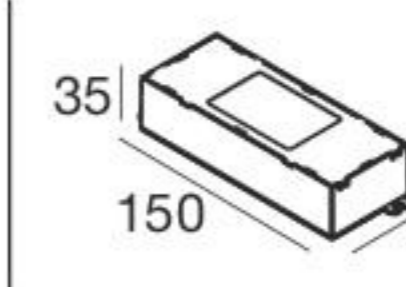
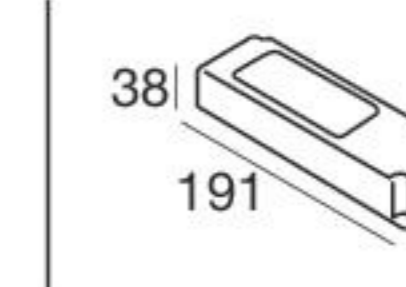
Available from July 2020
Disponibile da Luglio 2020



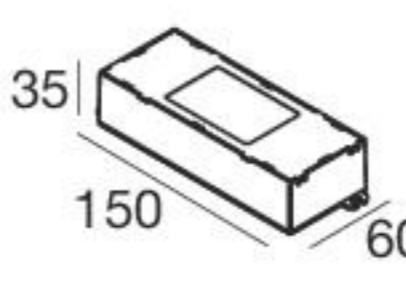
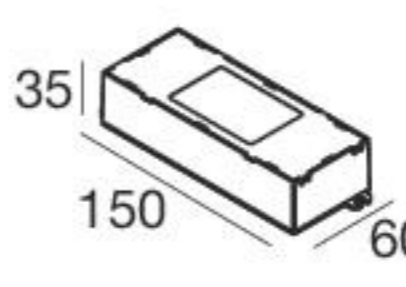
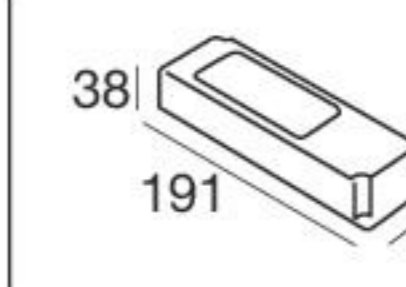
code	type	CRI K	lm S	lm D	length	optics
82219M20	Black	85 2700	2185	1748	1m	15°
82219M30	Black	85 2700	2185	1748	1m	26°
82219W20	Black	85 3000	2300	1840	1m	15°
82219W30	Black	85 3000	2300	1840	1m	26°
82219N20	Black	85 4000	2415	1932	1m	15°
82219N30	Black	85 4000	2415	1932	1m	26°

 89179 ON/OFF 1 art.	 89359 ON/OFF 1 - 2 art.	 99331 ON/OFF 1 - 7 art.	 99332 0/1-10V 1 - 7 art.	 99722 DALI 1 - 6 art.
---	---	---	--	---

code	type	CRI K	lm S	lm D	length	optics
82220M20	Black	85 2700	3277	2622	1,5m	15°
82220M30	Black	85 2700	3277	2622	1,5m	26°
82220W20	Black	85 3000	3450	2760	1,5m	15°
82220W30	Black	85 3000	3450	2760	1,5m	26°
82220N20	Black	85 4000	3622	2898	1,5m	15°
82220N30	Black	85 4000	3622	2898	1,5m	26°

 89359 ON/OFF 1 art.	 99331 ON/OFF 1 - 5 art.	 99332 0/1-10V 1 - 5 art.	 99722 DALI 1 - 4 art.
---	---	--	---

code	type	CRI K	lm S	lm D	length	optics
82221M20	Black	85 2700	6554	5244	3m	15°
82221M30	Black	85 2700	6554	5244	3m	26°
82221W20	Black	85 3000	6900	5520	3m	15°
82221W30	Black	85 3000	6900	5520	3m	26°
82221N20	Black	85 4000	7244	5796	3m	15°
82221N30	Black	85 4000	7244	5796	3m	26°

 99331 ON/OFF 1 - 2 art.	 99332 0/1-10V 1 - 2 art.	 99722 DALI 1 - 2 art.
---	--	---

