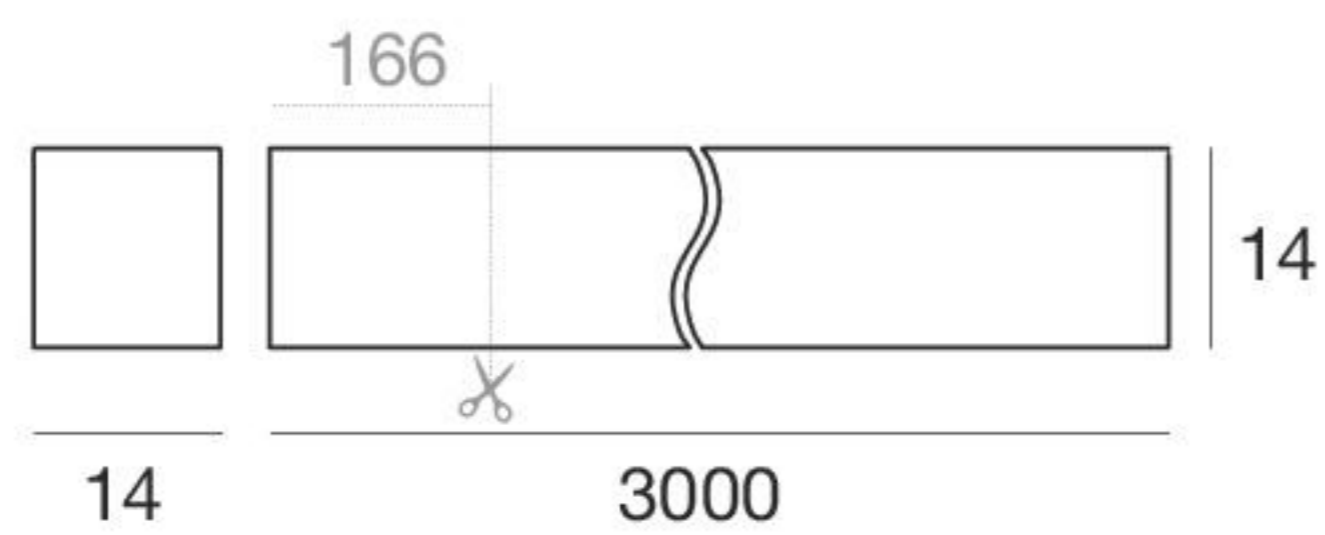
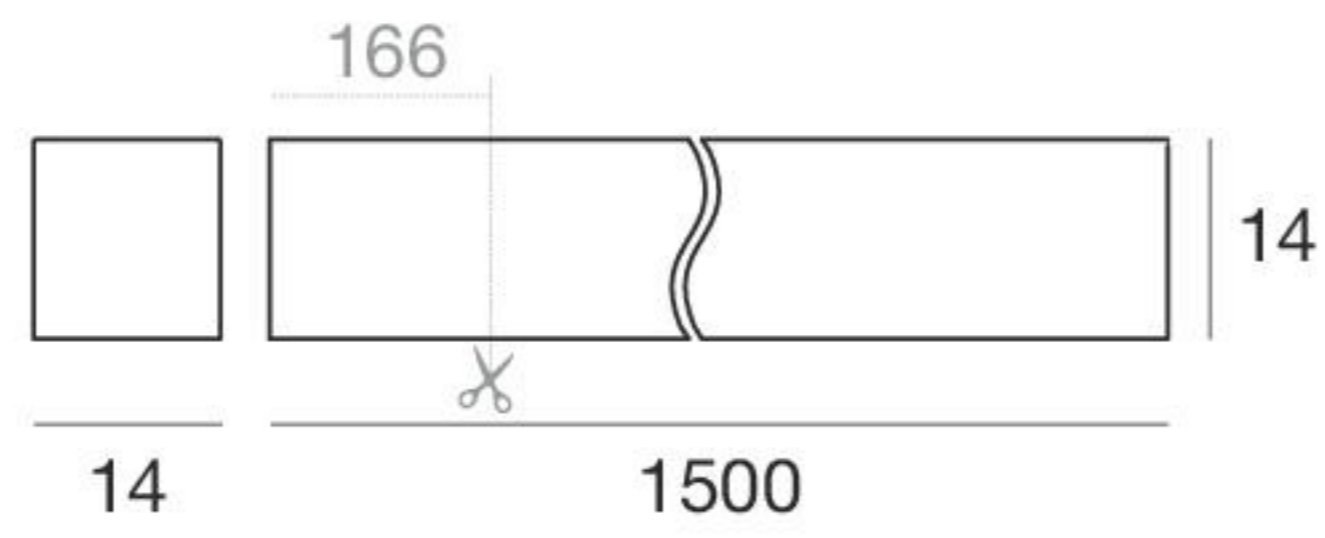


Available from July 2020
Disponibile da Luglio 2020



code	type	CRI K	lm S	lm D	length	optics
82216W20	White	85 3000	2300	1840	1m	15°
82216W30	White	85 3000	2300	1840	1m	26°
82216N20	White	85 4000	2415	1932	1m	15°
82216N30	White	85 4000	2415	1932	1m	26°

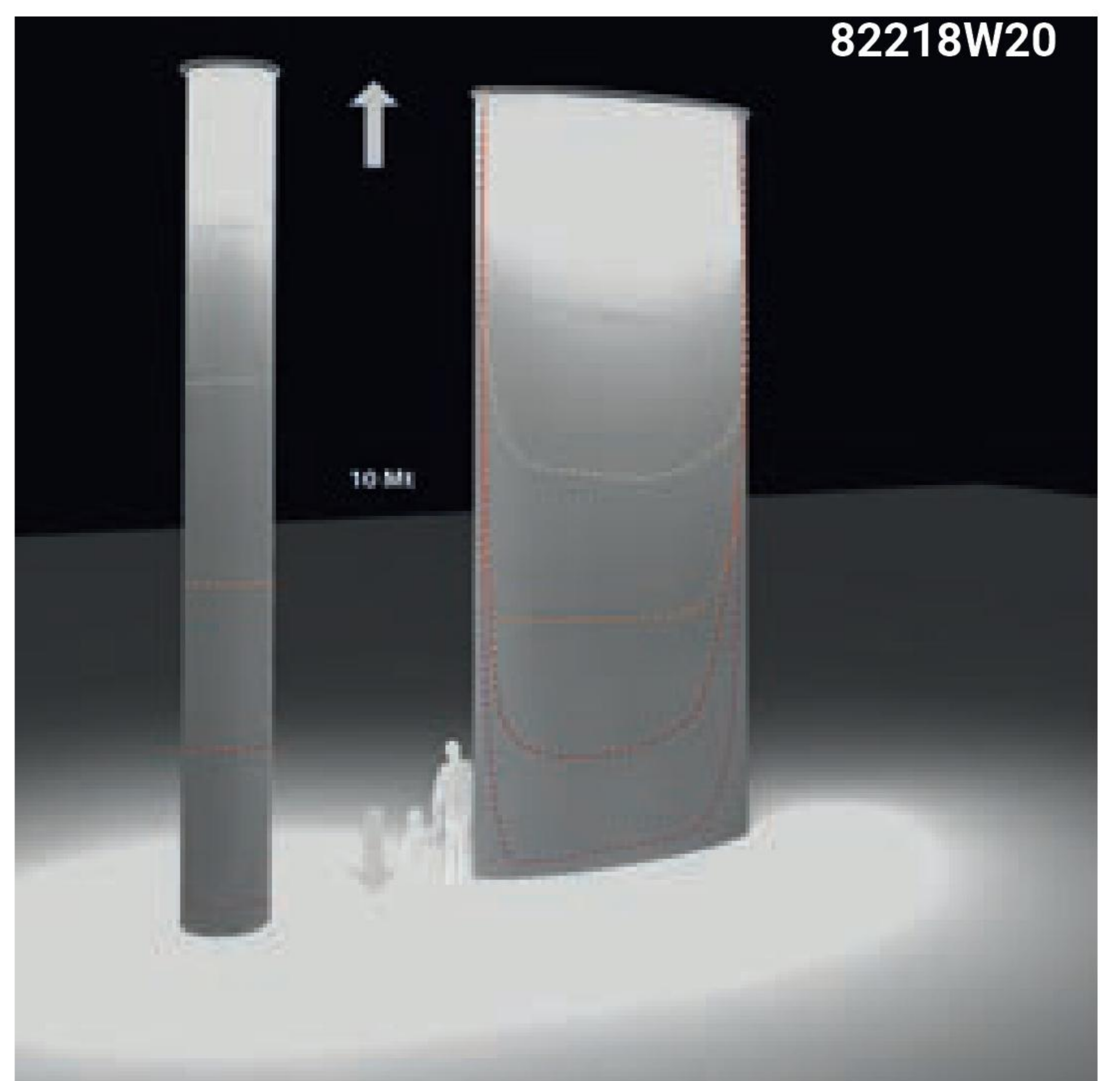
 89179 ON/OFF 1 art.	 89359 ON/OFF 1 - 2 art.	 99331 ON/OFF 1 - 7 art.	 99332 0/1-10V 1 - 7 art.	 99722 DALI 1 - 6 art.
--------------------------------------	--	--	---	--

code	type	CRI K	lm S	lm D	length	optics
82217W20	White	85 3000	3450	2760	1,5m	15°
82217W30	White	85 3000	3450	2760	1,5m	26°
82217N20	White	85 4000	3622	2898	1,5m	15°
82217N30	White	85 4000	3622	2898	1,5m	26°

 89359 ON/OFF 1 art.	 99331 ON/OFF 1 - 5 art.	 99332 0/1-10V 1 - 5 art.	 99722 DALI 1 - 4 art.
--------------------------------------	--	---	--

code	type	CRI K	lm S	lm D	length	optics
82218W20	White	85 3000	6900	5520	3m	15°
82218W30	White	85 3000	6900	5520	3m	26°
82218N20	White	85 4000	7244	5796	3m	15°
82218N30	White	85 4000	7244	5796	3m	26°

 99331 ON/OFF 1 - 2 art.	 99332 0/1-10V 1 - 2 art.	 99722 DALI 1 - 2 art.
--	---	--



10 LUX	15 LUX	30 LUX	70 LUX	100 LUX
--------	--------	--------	--------	---------