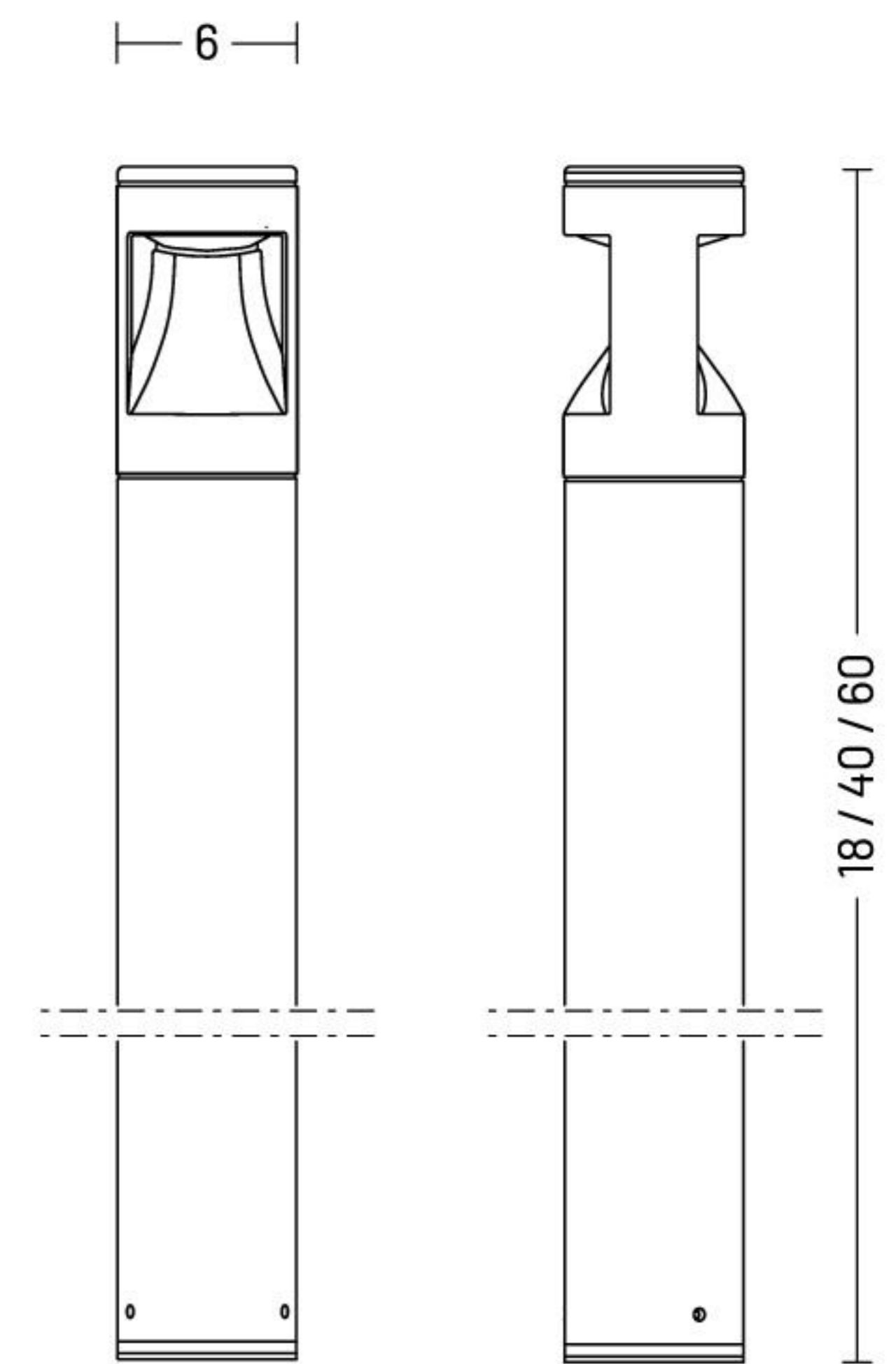


**MATERIALS**

<i>Body</i>	Die-cast aluminium EN47100 and extruded aluminium EN AW6060
<i>Diffuser</i>	Opal polycarbonate
<i>Finishing</i>	Graphite polyester powder paint <span style="float: right;">●</span>

**ORDER CODE**

LA 20	_____	HB 10 L	
	_____	Beam	<b>A</b> Single asymmetric
	_____	Height	<b>4</b> Double asymmetric
			<b>018</b> 18 cm
			<b>040</b> 40 cm
			<b>060</b> 60 cm
<i>Example</i>		<b>LA 20 018 A HB 10 L</b>	



**AVAILABLE ACCESSORIES**

<i>Code</i>	<i>Description</i>	<i>Page</i>
<b>00A409</b>	Root mounting kit	476

