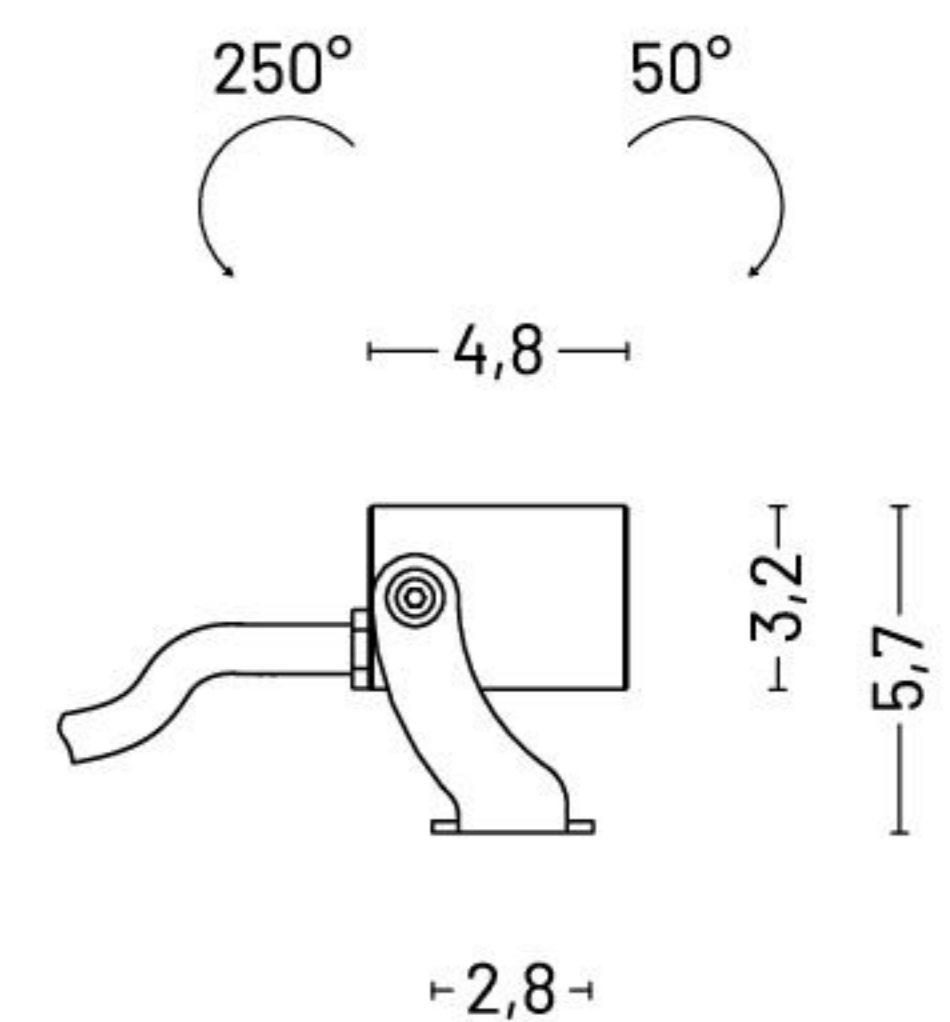




## MATERIALS

|           |                              |
|-----------|------------------------------|
| Body      | Extruded aluminium EN AW6060 |
| Diffuser  | Extra clear polycarbonate    |
| Finishing | Anodized                     |



## ORDER CODE

|          |     |              |                         |        |   |
|----------|-----|--------------|-------------------------|--------|---|
| LY10 PRO | --- | B7Z          | ---                     |        |   |
|          |     | Finishing    | 1                       | Inox   |  |
|          |     |              | 2                       | Bronze |  |
|          |     | Light colour | N                       | 4000 K |   |
|          |     |              | H                       | 3000 K |   |
|          |     | Beam         | S                       | Spot   |   |
|          |     |              | F                       | Flood  |   |
|          |     | Example      | LY10 PRO <b>SN</b> B7Z1 |        |   |

## INCLUDED ACCESSORIES

| Code | Description              | Page |
|------|--------------------------|------|
| -    | 1 m length cable -05RN-F | -    |

## AVAILABLE ACCESSORIES

| Code      | Description                  | Page |
|-----------|------------------------------|------|
| 00A469    | Mounting spike               | 477  |
| 0404M009  | Single connection IP68       | 477  |
| 0409BT014 | Transformer _ 24 Vdc - 12 W  | 477  |
| 0409BT015 | Transformer _ 24 Vdc - 25 W  | 477  |
| 0409BT016 | Transformer _ 24 Vdc - 100 W | 477  |

