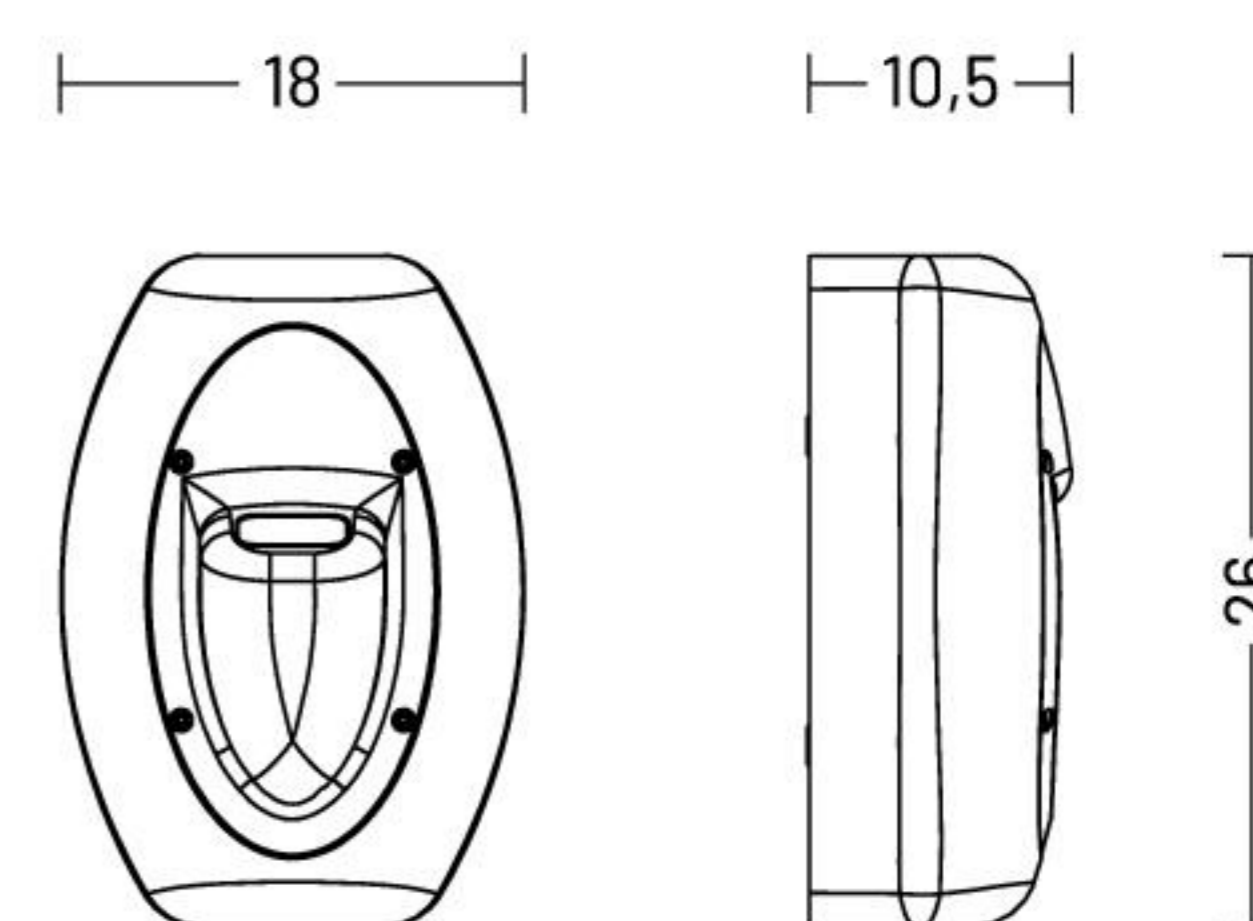


MATERIALS

| | |
|------------------|----------------------------|
| <i>Body</i> | Die-cast aluminium EN47000 |
| <i>Diffuser</i> | Extra clear polycarbonate |
| <i>Finishing</i> | Polyester powder paint |



ORDER CODE

OK10PARA_B10_

| | | | |
|---------------------|----------|----------|---|
| <i>Finishing</i> | L | Graphite |  |
| | V | Oxide |  |
| <i>Light colour</i> | N | 4000 K | |
| | H | 3000 K | |

Example OK10PARANB10L

