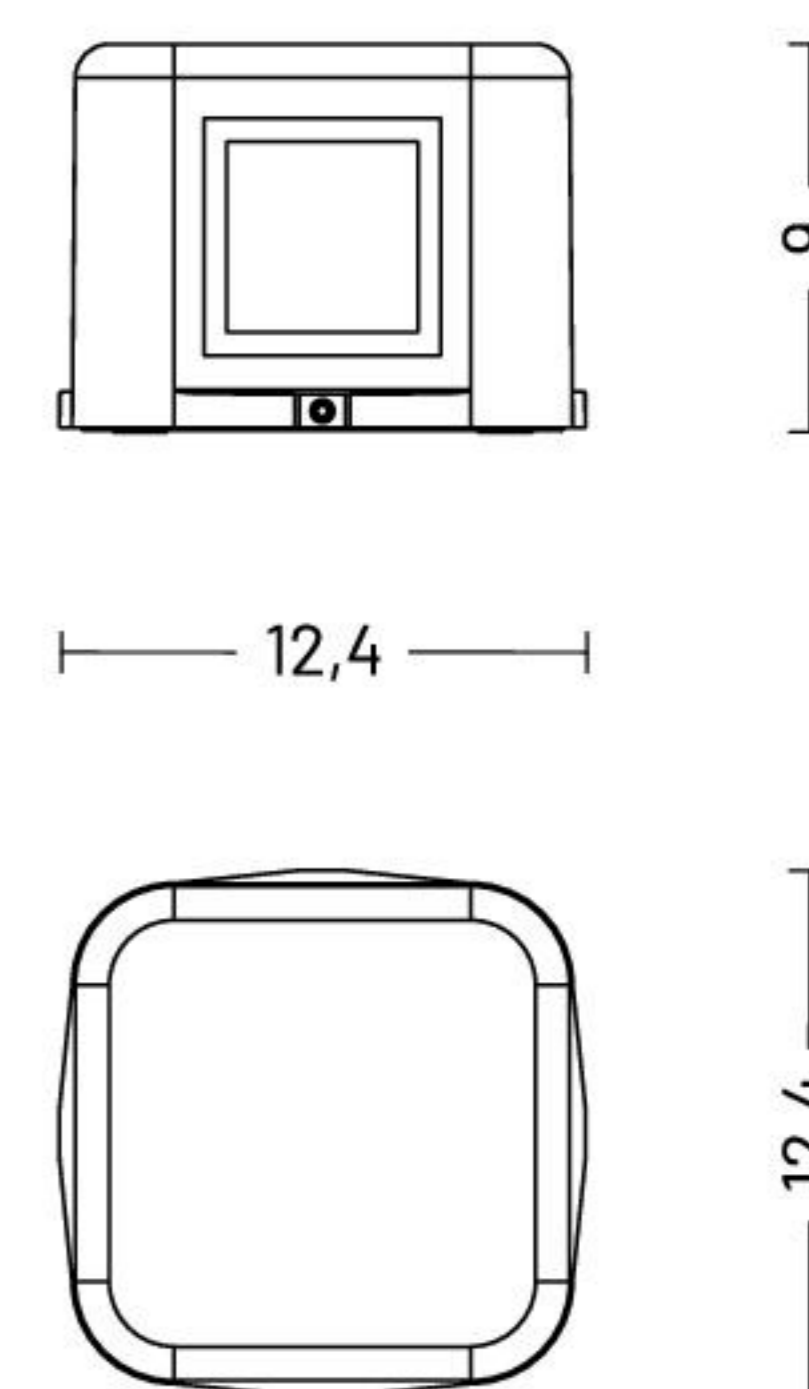


MATERIALS

<i>Body</i>	Die-cast aluminium EN47100
<i>Diffuser</i>	Extra clear PMMA
<i>Finishing</i>	Polyester powder paint



ORDER CODE

KU30PAR_HB10_

<i>Finishing</i>	L	Graphite	●
	V	Oxide	●
<i>Beam</i>	S	Spot	
	F	Flood	

Example KU30PARSHB10L

