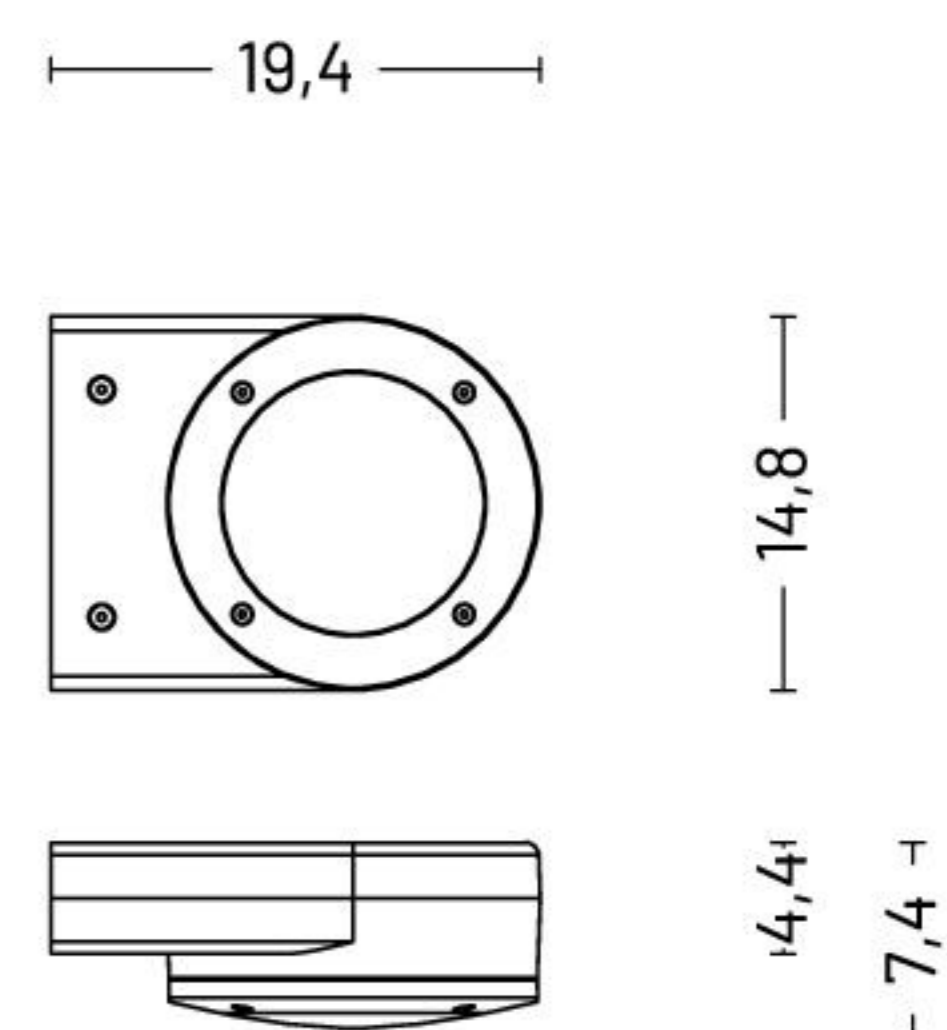


## MATERIALS

<i>Body</i>	Die-cast aluminium EN47100
<i>Diffuser</i>	Opal polycarbonate
<i>Finishing</i>	Polyester powder paint



## ORDER CODE

BE 3 2 PAR D \_ B 1 0 \_

<i>Finishing</i>	<b>L</b>	Graphite	●
	<b>M</b>	Light grey	●
	<b>V</b>	Oxide	●
	<b>U</b>	White	○
<i>Light colour</i>	<b>N</b>	4000 K	
	<b>H</b>	3000 K	

*Example* BE 3 2 PAR D N B 1 0 L



## AVAILABLE ACCESSORIES

<i>Code</i>	<i>Description</i>	<i>Page</i>
<u>0404M004</u>	Single connection IP68	476