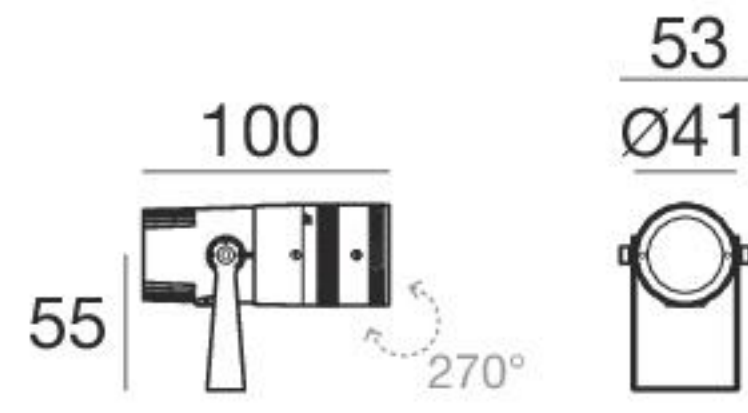
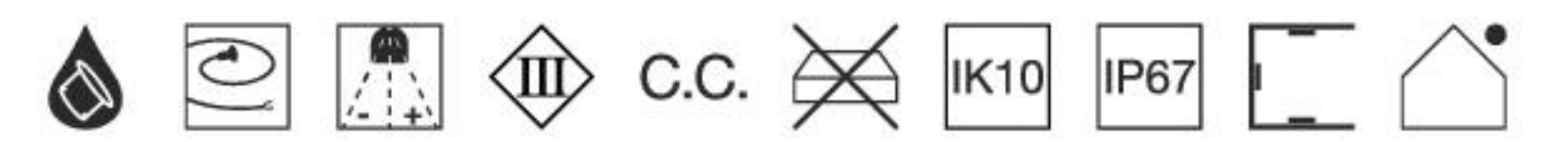


Iris67 Elliptic | Accent lighting | arrayLED 6 W 630 mA

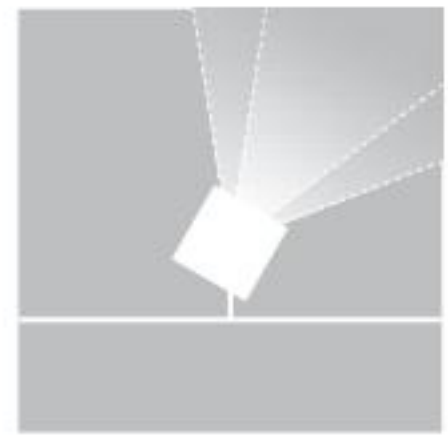


CRI 80

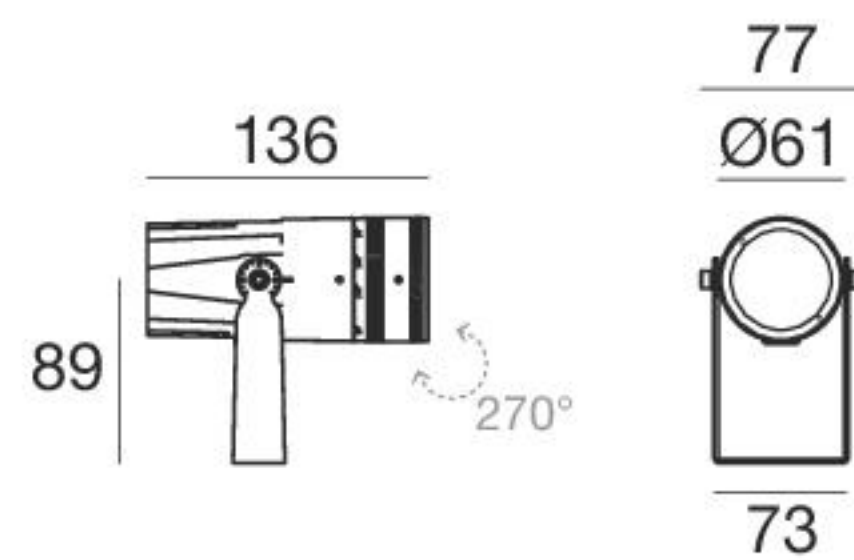
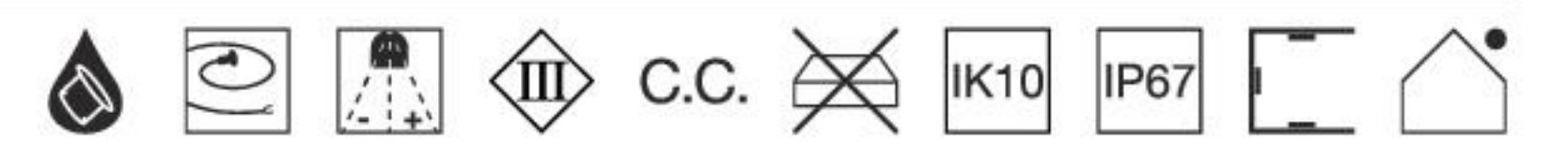
White	81720	2700K	685 lm	M	15°-45°	88
Black	81721	3000K	685 lm	W		
Grey	81722	4000K	739 lm	N		

Electronics

99179 ON/OFF 1 - 2 art.	99186 ON/OFF 2 - 4 art.	84890 250 mm Steel peg	98112 700 mm Steel peg



Iris67 Elliptic | Accent lighting | arrayLED 13 W 350 mA



CRI 80

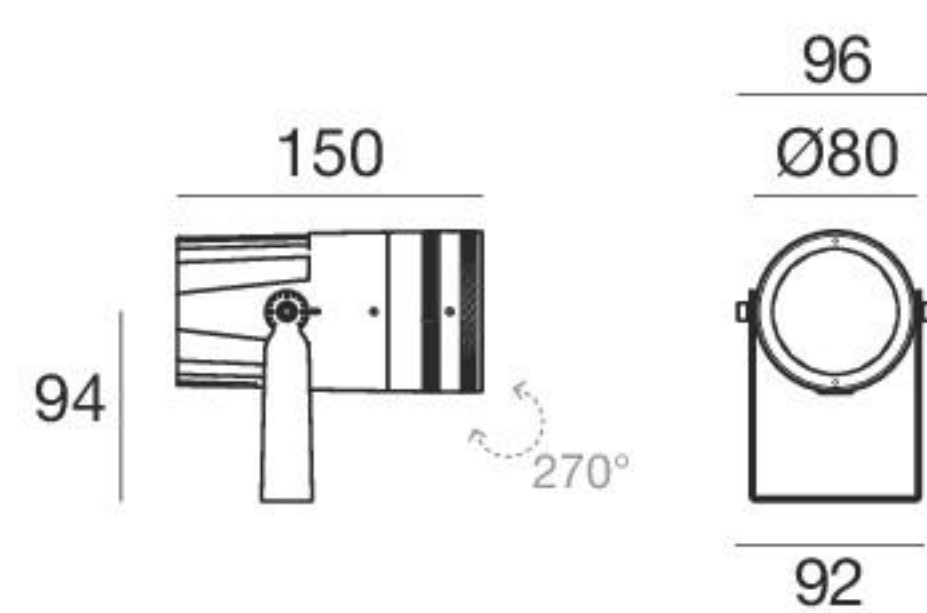
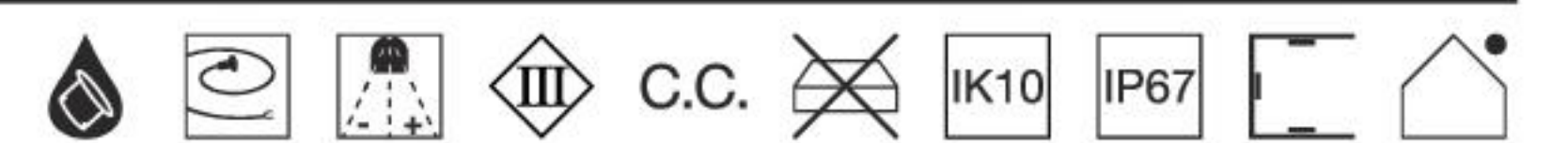
White	81723	2700K	1724 lm	M	15°-62°	88
Black	81724	3000K	1724 lm	W		
Grey	81725	4000K	1854 lm	N		

Electronics

99183 ON/OFF 1 art.	84890 250 mm Steel peg	98112 700 mm Steel peg



Iris67 Elliptic | Accent lighting | arrayLED 20 W 580 mA



CRI 80

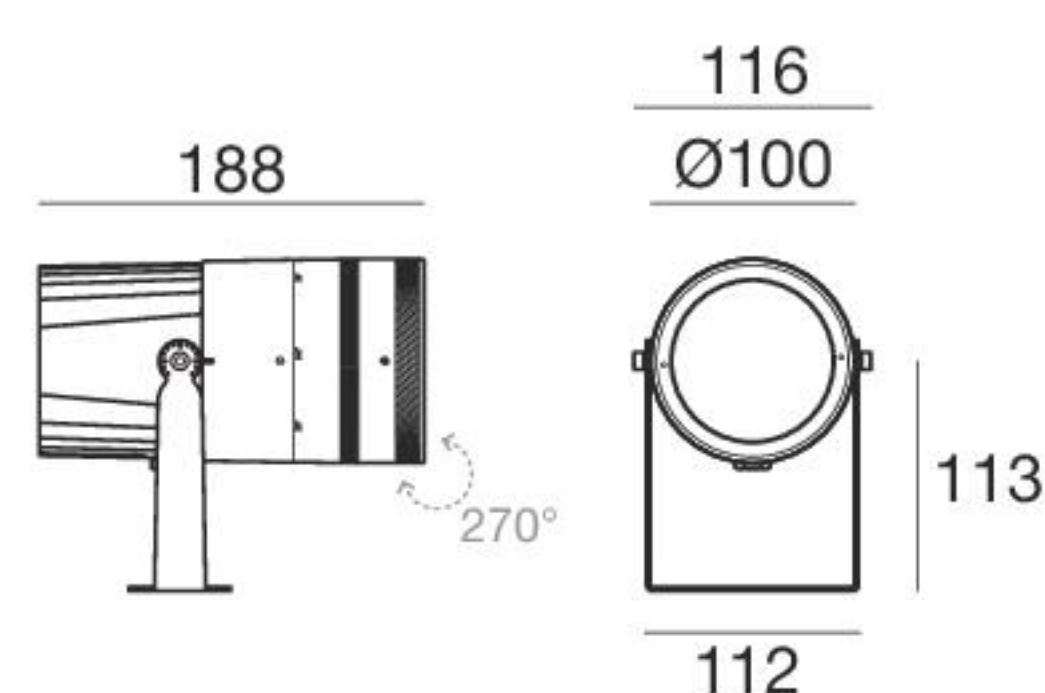
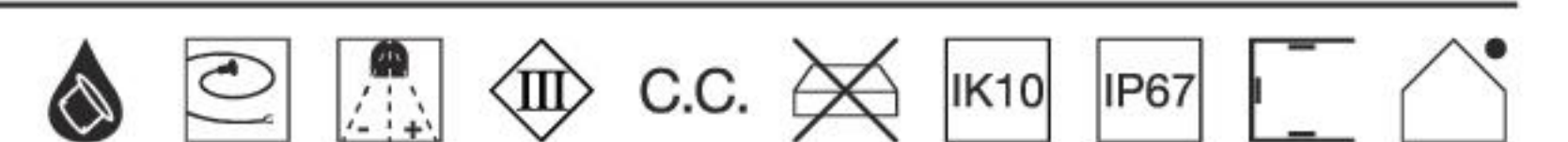
White	81726	2700K	2714 lm	M	16°-52°	88
Black	81727	3000K	2900 lm	W		
Grey	81728	4000K	2900 lm	N		

Electronics

99340 ON/OFF 1 art.	84890 250 mm Steel peg	98112 700 mm Steel peg



Iris67 Elliptic | Accent lighting | arrayLED 30 W 840 mA



CRI 80

White	81729	2700K	4220 lm	M	15°-56°	88
Black	81730	3000K	4535 lm	W		
Grey	81731	4000K	4535 lm	N		

Electronics

99269 ON/OFF 1 art.	84890 250 mm Steel peg	98112 700 mm Steel peg

