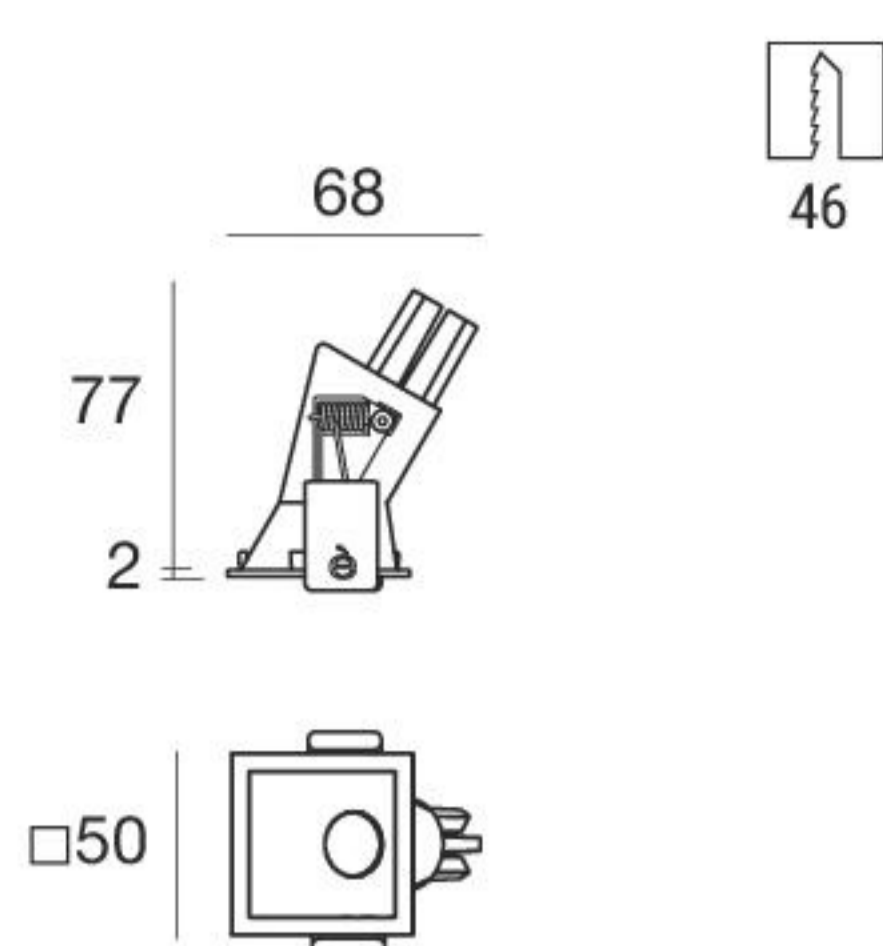


Warp\_QY | Downlight | powerLED 2 W 630 mA



Balance - CRI 92

White	<b>90822</b>	2700 K	157 lm	<b>M</b>	Spot	<b>15</b>
Black	<b>90823</b>	3000 K	179 lm	<b>W</b>	Medium Flood	<b>30</b>
					Flood	<b>60</b>

HC

White	<b>90826</b>
Black	<b>90827</b>

Efficiency - CRI 80

White	<b>90820</b>	2700 K	219 lm	<b>M</b>	Spot	<b>15</b>
Black	<b>90821</b>	3000 K	233 lm	<b>W</b>	Medium Flood	<b>30</b>
		4000 K	249 lm	<b>N</b>	Flood	<b>60</b>

HC

White	<b>90824</b>
Black	<b>90825</b>



The power supply requires a larger hole than the one indicated for the spotlight

Electronics



**89147**  
ON/OFF  
1 - 2 art.



**99710**  
0/1-10V converter  
1 art.

+ driver CV 24V

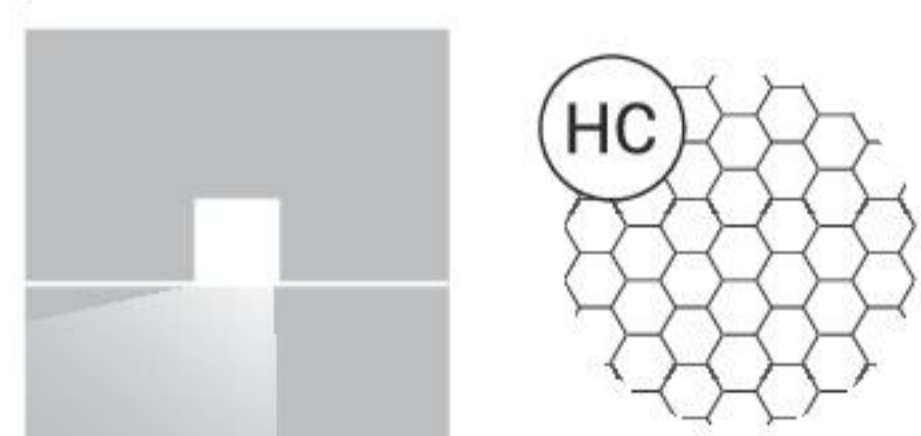
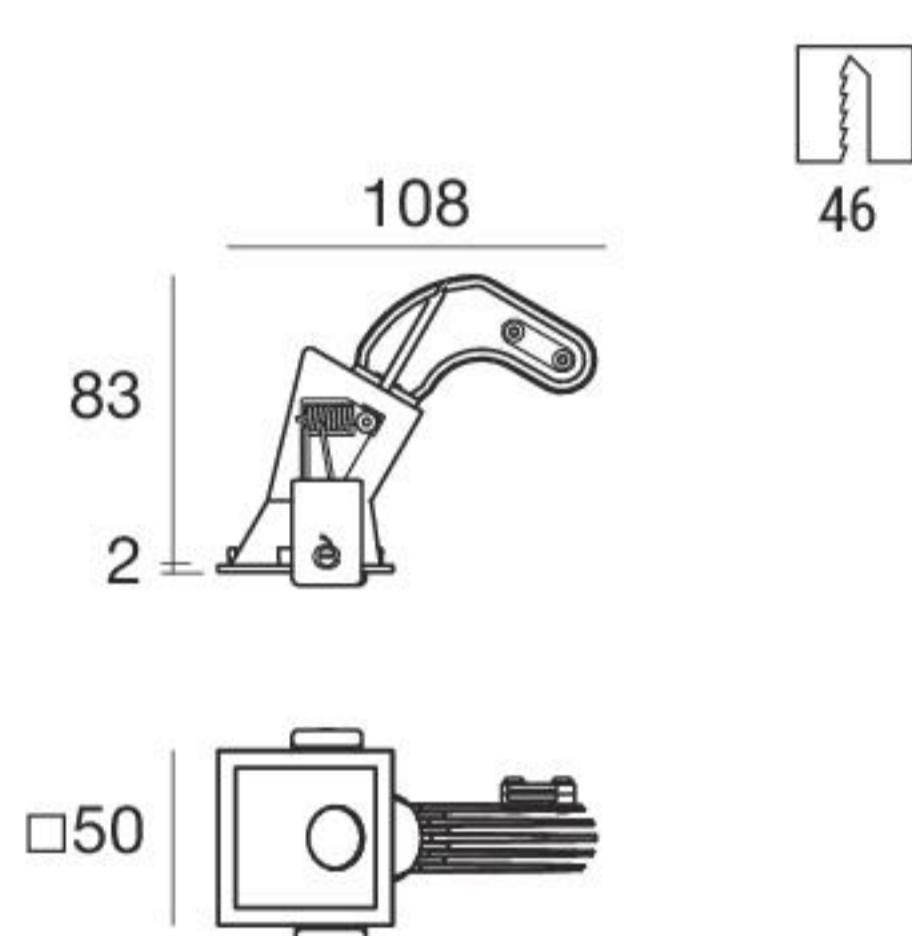


**99713**  
DALI converter  
1 art.

+ driver CV 24V



Warp\_QY | Downlight | powerLED 4 W 350 mA



Balance - CRI 92

White	<b>90838</b>	2700 K	395 lm	<b>M</b>	Spot	<b>15</b>
Black	<b>90839</b>	3000 K	423 lm	<b>W</b>	Medium Flood	<b>30</b>
		4000 K	456 lm	<b>N</b>	Flood	<b>60</b>

HC

White	<b>90842</b>
Black	<b>90843</b>

Efficiency - CRI 80

White	<b>90836</b>	2700 K	490 lm	<b>M</b>	Spot	<b>15</b>
Black	<b>90837</b>	3000 K	490 lm	<b>W</b>	Medium Flood	<b>30</b>
		4000 K	529 lm	<b>N</b>	Flood	<b>60</b>

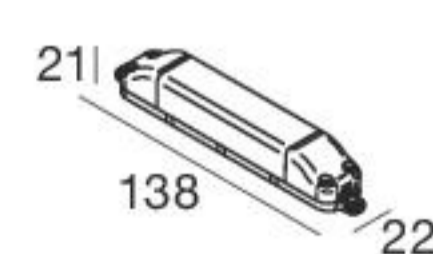
HC

White	<b>90840</b>
Black	<b>90841</b>

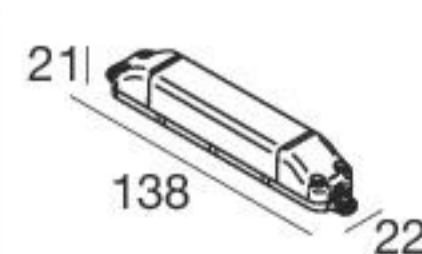


The power supply requires a larger hole than the one indicated for the spotlight

Electronics

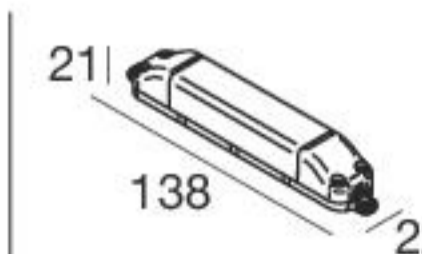


**89145**  
ON/OFF  
1 art.



**99708**  
0/1-10V converter  
1 art.

+ driver CV 24V



**99711**  
DALI converter  
1 art.

+ driver CV 24V

