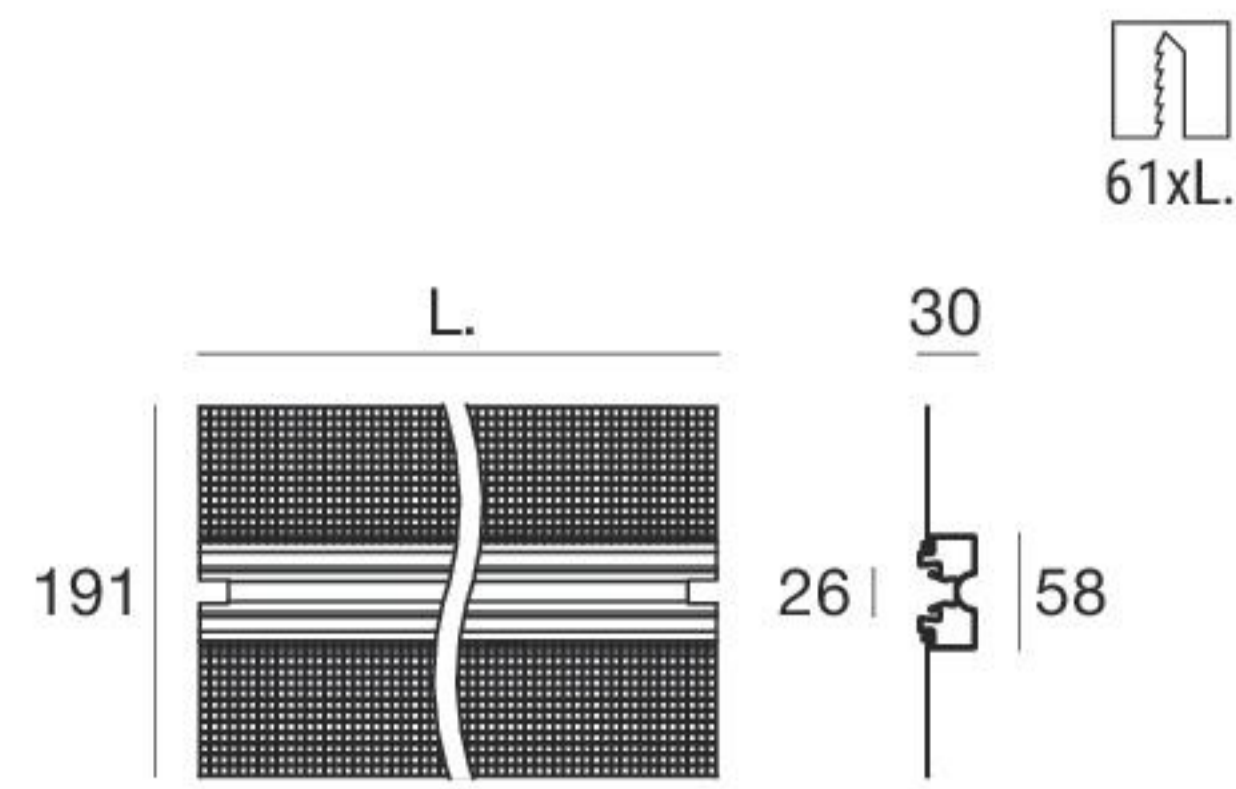
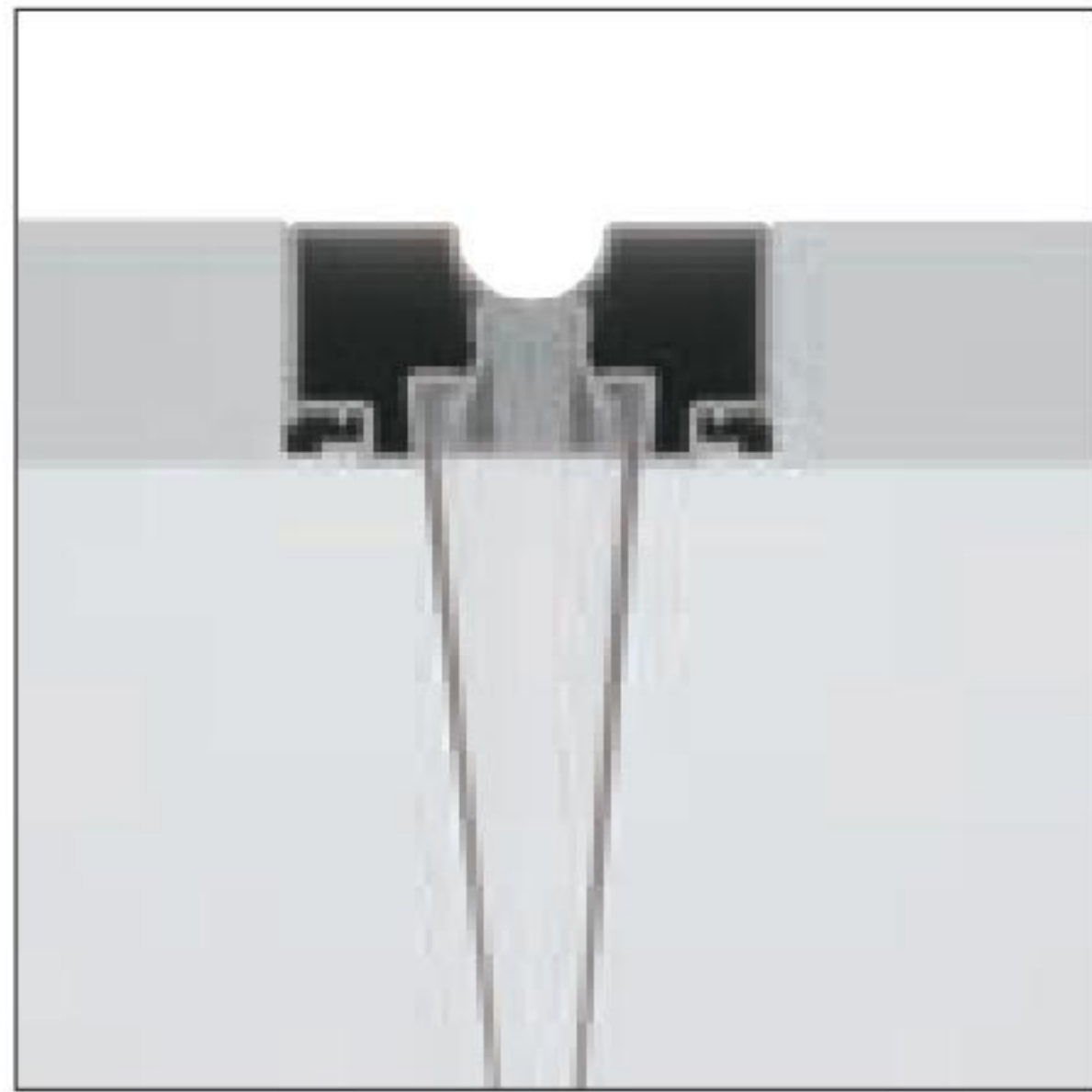
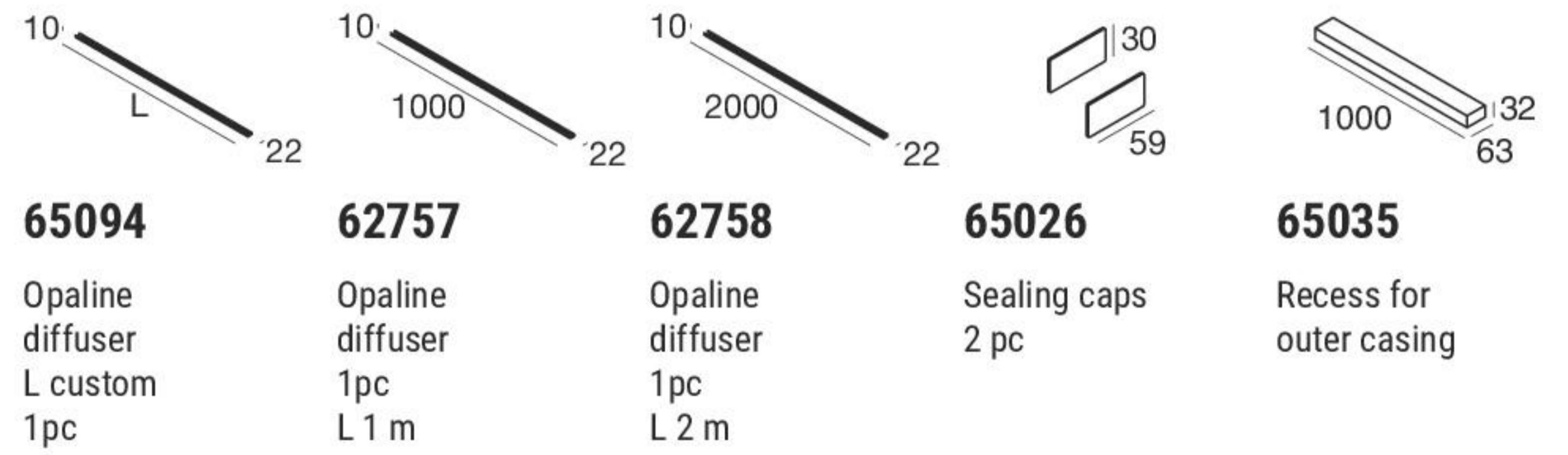


Fylo+ Out Recessed_S | Recessed light body



Type	L mm	
Primer	1000	65036
Primer	2000	65037
Primer	custom	65090*

Recommended accessories



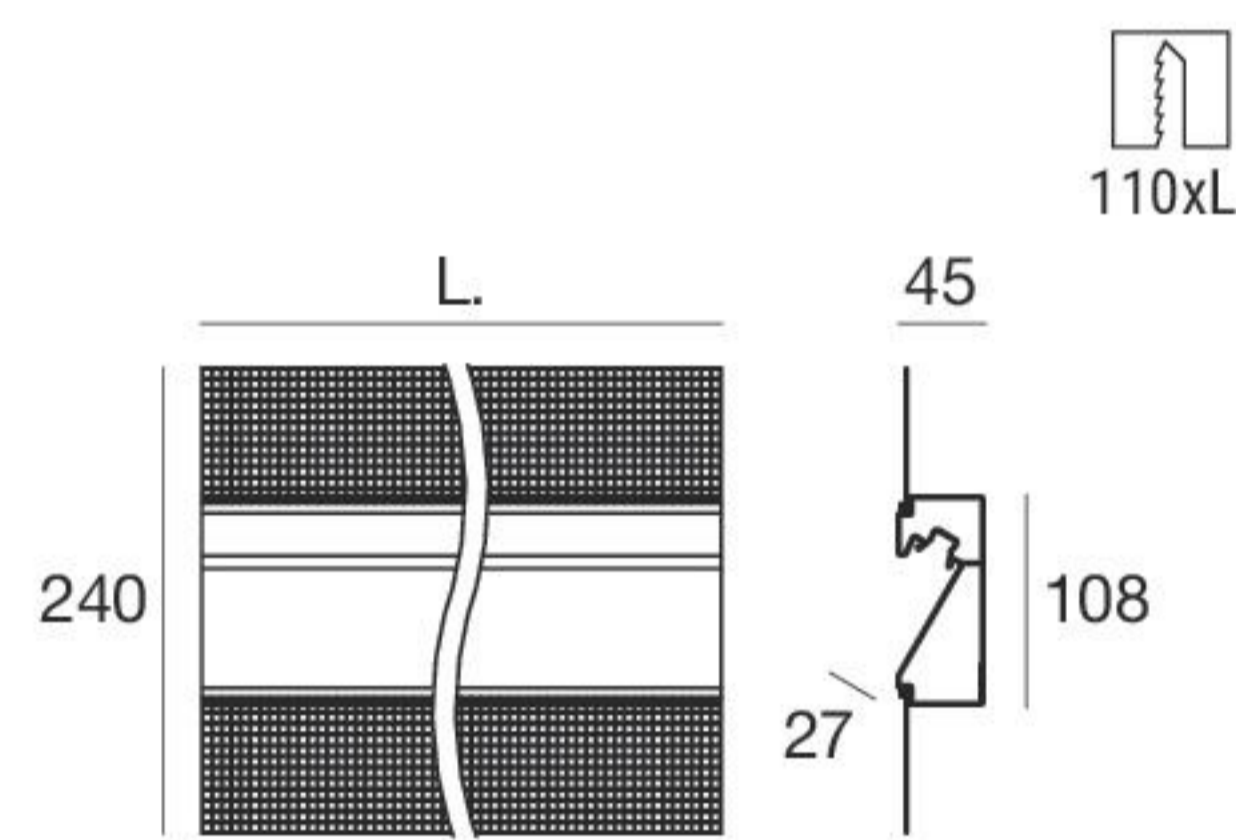
The modules must be completed with light source and power supply.

▶ See below

* Selecting the "Custom" code allows ordering the desired profile length from a minimum of 1.1 m to a maximum of 1.9 m. For example, to request 1,3 m of Fylo+ it will be sufficient to order 1.3 x 65090.

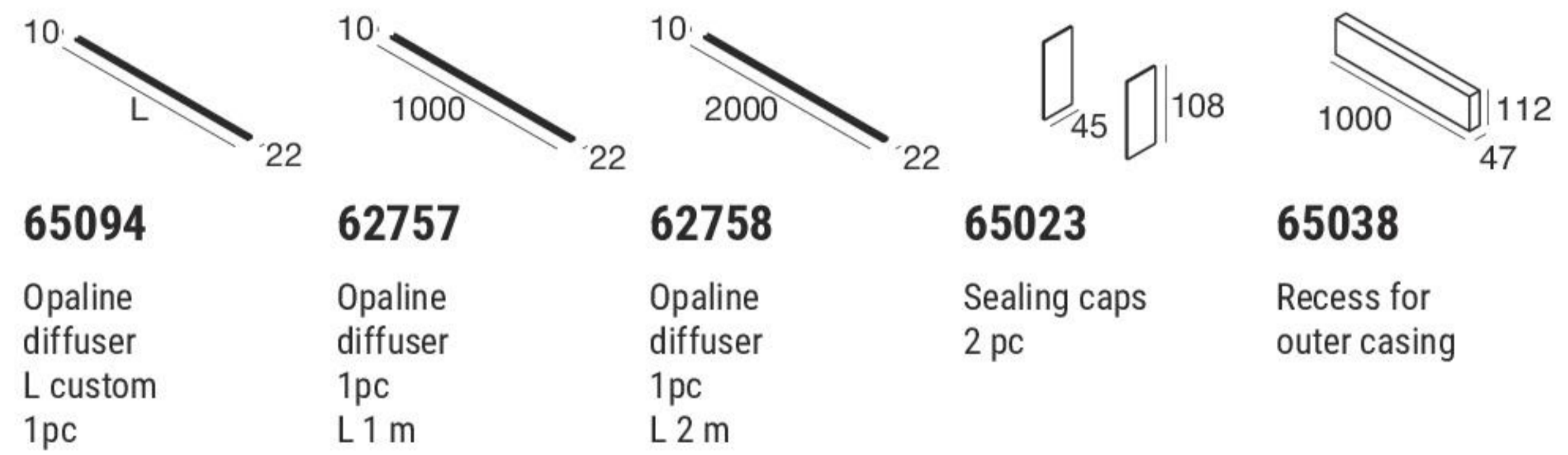
RTG 65036
65037

Fylo+ Out Recessed_W | Recessed light body



Type	L mm	
Primer	1000	65039
Primer	2000	65040
Primer	custom	65093*

Recommended accessories



The modules must be completed with light source and power supply.

▶ See below

* Selecting the "Custom" code allows ordering the desired profile length from a minimum of 1.1 m to a maximum of 1.9 m. For example, to request 1,3 m of Fylo+ it will be sufficient to order 1.3 x 65093.