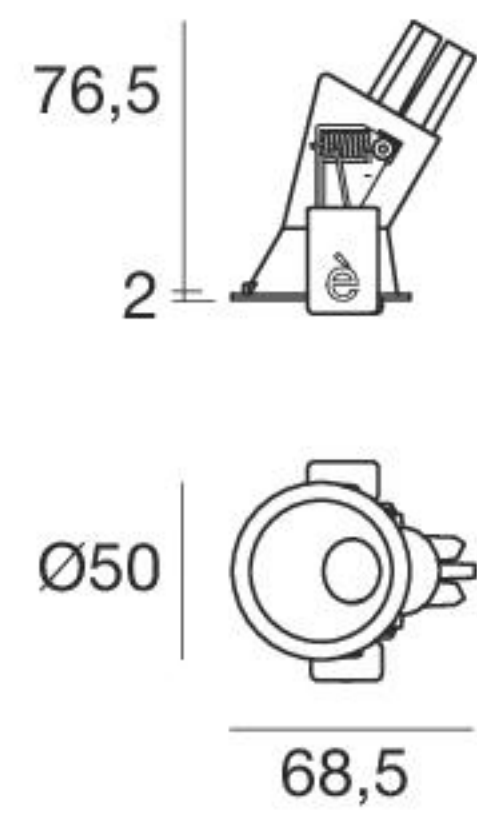


Warp\_RY | Downlight | powerLED 2 W 630 mA



46

Balance - CRI 92

White	<b>90814</b>	2700 K	157 lm	<b>M</b>	Spot	<b>15</b>
Black	<b>90815</b>	3000 K	179 lm	<b>W</b>	Medium Flood	<b>30</b>
					Flood	<b>60</b>

HC

White	<b>90818</b>
Black	<b>90819</b>

Efficiency - CRI 80

White	<b>90812</b>	2700 K	219 lm	<b>M</b>	Spot	<b>15</b>
Black	<b>90813</b>	3000 K	233 lm	<b>W</b>	Medium Flood	<b>30</b>
		4000 K	249 lm	<b>N</b>	Flood	<b>60</b>

HC

White	<b>90816</b>
Black	<b>90817</b>



The power supply requires a larger hole than the one indicated for the spotlight

Electronics



**89147**  
ON/OFF  
1 - 2 art.



**99710**  
0/1-10V converter  
1 art.

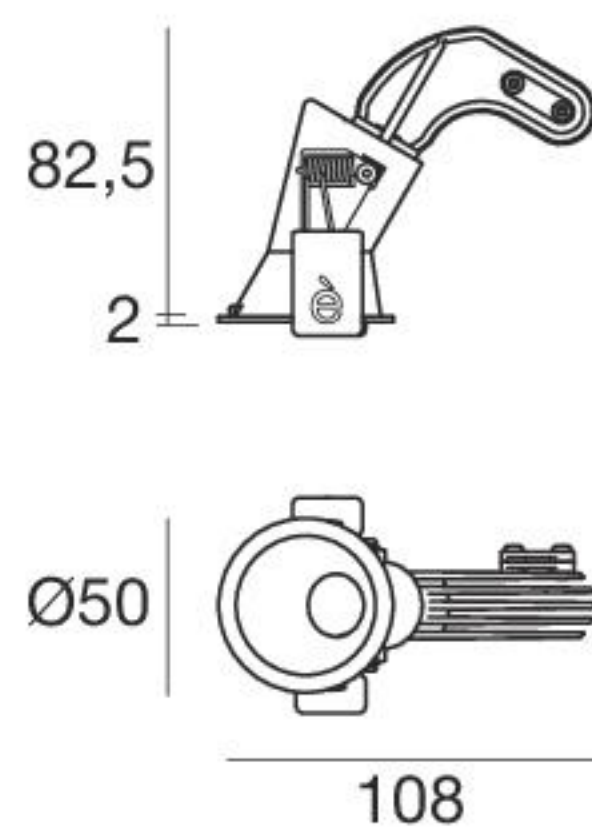
+ driver CV 24V  
981



**99713**  
DALI converter  
1 art.

+ driver CV 24V  
981

Warp\_RY | Downlight | powerLED 4 W 350 mA



46

Balance - CRI 92

White	<b>90830</b>	2700 K	395 lm	<b>M</b>	Spot	<b>15</b>
Black	<b>90831</b>	3000 K	423 lm	<b>W</b>	Medium Flood	<b>30</b>
		4000 K	456 lm	<b>N</b>	Flood	<b>60</b>

HC

White	<b>90834</b>
Black	<b>90835</b>

Efficiency - CRI 80

White	<b>90828</b>	2700 K	490 lm	<b>M</b>	Spot	<b>15</b>
Black	<b>90829</b>	3000 K	490 lm	<b>W</b>	Medium Flood	<b>30</b>
		4000 K	529 lm	<b>N</b>	Flood	<b>60</b>

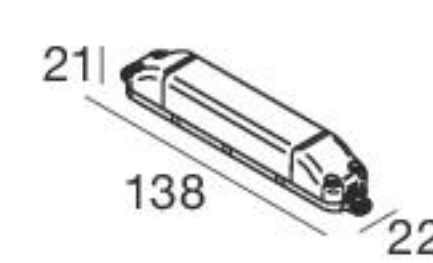
HC

White	<b>90832</b>
Black	<b>90833</b>

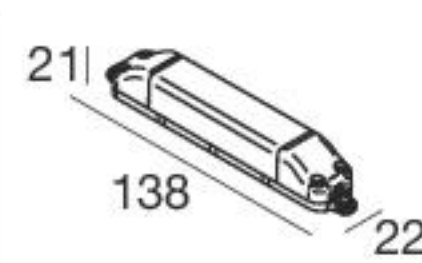


The power supply requires a larger hole than the one indicated for the spotlight

Electronics

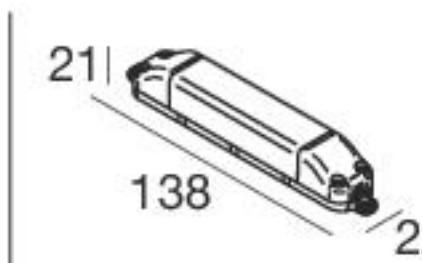


**89145**  
ON/OFF  
1 art.



**99708**  
0/1-10V converter  
1 art.

+ driver CV 24V  
981



**99711**  
DALI converter  
1 art.

+ driver CV 24V  
981