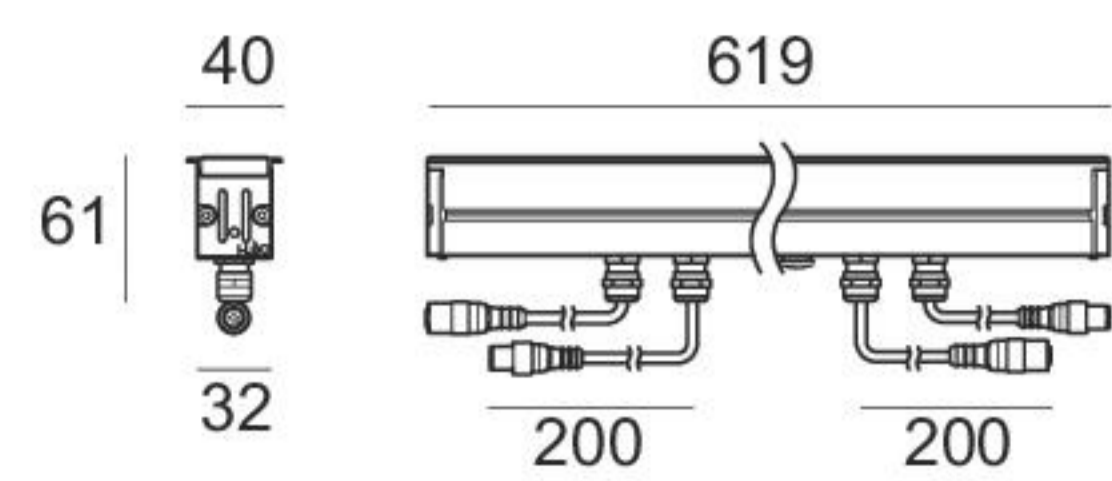
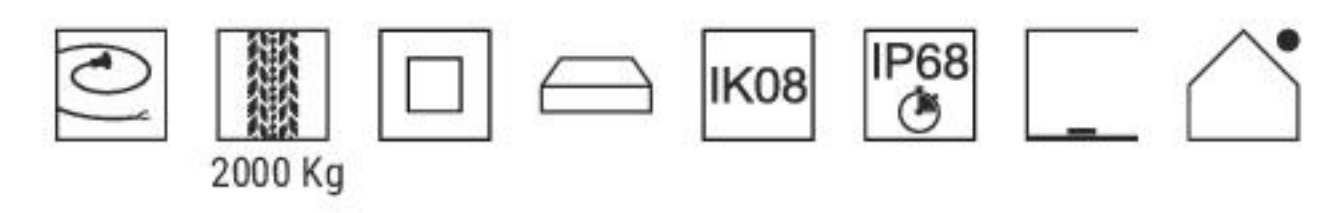
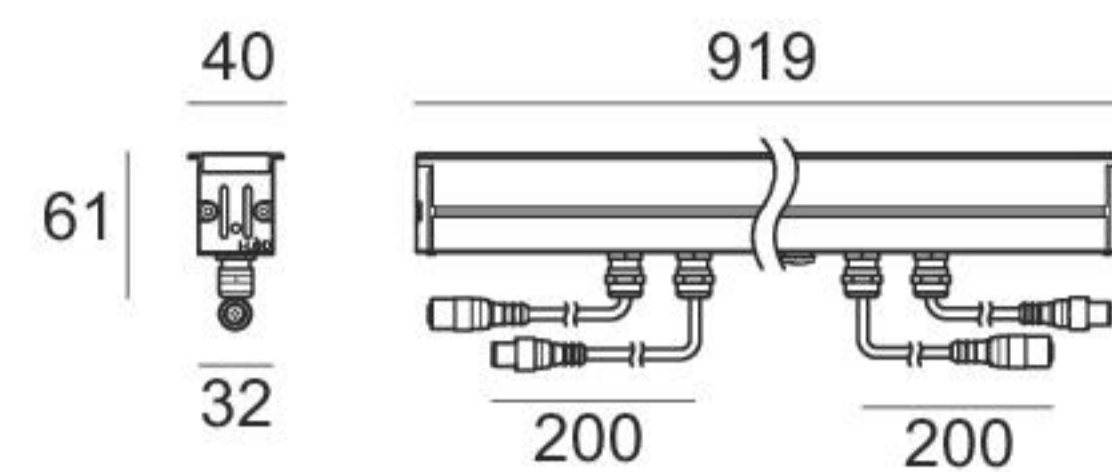


Xenia\_A PRO DALI | Linear profiles | 190-250V | powerLED



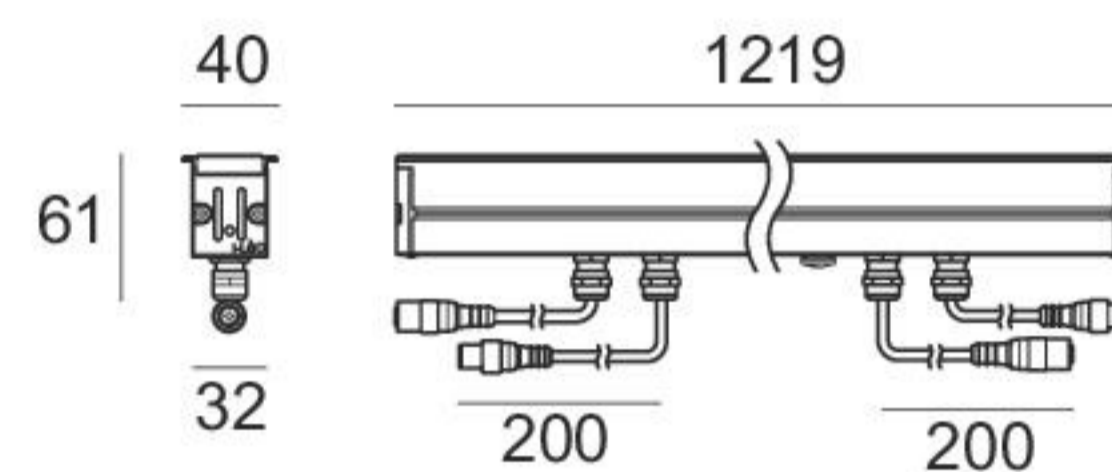
8,4 W DC - 10,1 W AC

Anod. Al.	DALI	<b>81687</b>	2700K	1117 lm	<b>M</b>	Narrow Spot	<b>08</b>
			3000K	1200 lm	<b>W</b>	Medium Flood	<b>20</b>
			4000K	1274 lm	<b>N</b>	Flood	<b>50</b>
						Wide Flood	<b>90</b>
						Elliptic	<b>25</b>
						Asymmetric	<b>07</b>



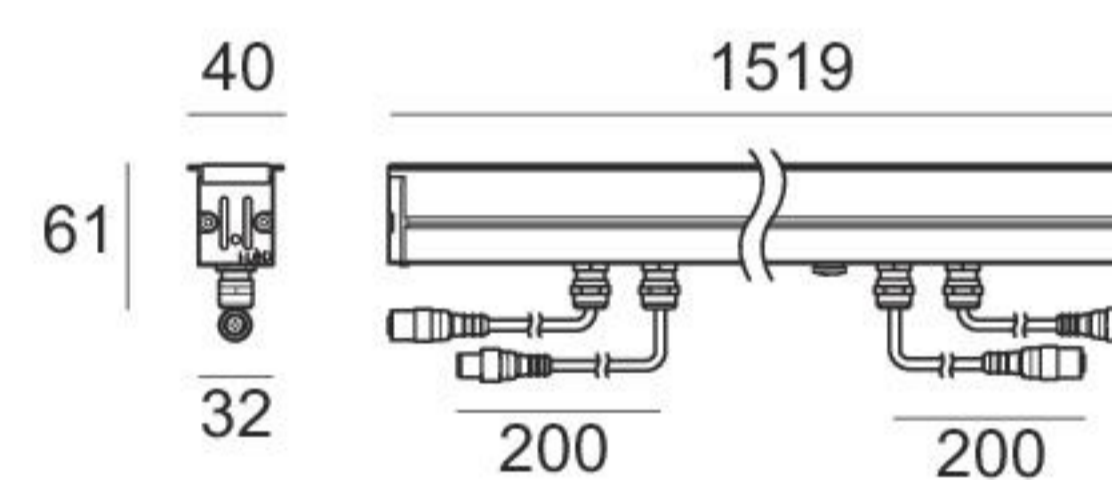
12,8 W DC - 14,4 W AC

Anod. Al.	DALI	<b>81688</b>	2700K	1676 lm	<b>M</b>	Narrow Spot	<b>08</b>
			3000K	1800 lm	<b>W</b>	Medium Flood	<b>20</b>
			4000K	1911 lm	<b>N</b>	Flood	<b>50</b>
						Wide Flood	<b>90</b>
						Elliptic	<b>25</b>
						Asymmetric	<b>07</b>



17,1 W DC - 19,1 W AC

Anod. Al.	DALI	<b>81689</b>	2700K	2234 lm	<b>M</b>	Narrow Spot	<b>08</b>
			3000K	2400 lm	<b>W</b>	Medium Flood	<b>20</b>
			4000K	2549 lm	<b>N</b>	Flood	<b>50</b>
						Wide Flood	<b>90</b>
						Elliptic	<b>25</b>
						Asymmetric	<b>07</b>



21,4 W DC - 24 W AC

Anod. Al.	DALI	<b>81690</b>	2700K	2793 lm	<b>M</b>	Narrow Spot	<b>08</b>
			3000K	3000 lm	<b>W</b>	Medium Flood	<b>20</b>
			4000K	3186 lm	<b>N</b>	Flood	<b>50</b>
						Wide Flood	<b>90</b>
						Elliptic	<b>25</b>
						Asymmetric	<b>07</b>

Outer casings

	360 mm	<b>99761</b>
	620 mm	<b>99762</b>
	920 mm	<b>99763</b>
	1220 mm	<b>99764</b>
	1520 mm	<b>99765</b>

2 x Line sealing caps

	<b>99766</b>
	<b>99818</b>

Cables

<b>99216</b> 1,5 m power cable F 4 pin M12	<b>89190</b> 5 m power cable F 4 pin M12	<b>98437</b> 1 m Extension for power cable M+F 4 pin M12	<b>98149</b> 5 m Extension for power cable M+F 4 pin M12	<b>89188</b> 10 m Extension for power cable M+F 4 pin M12
<b>89362</b> 5 m 1-10V_DALI cable F 5 pin M12	<b>89361</b> 10 m 1-10V_ DALI extension M+F 5 pin M12			