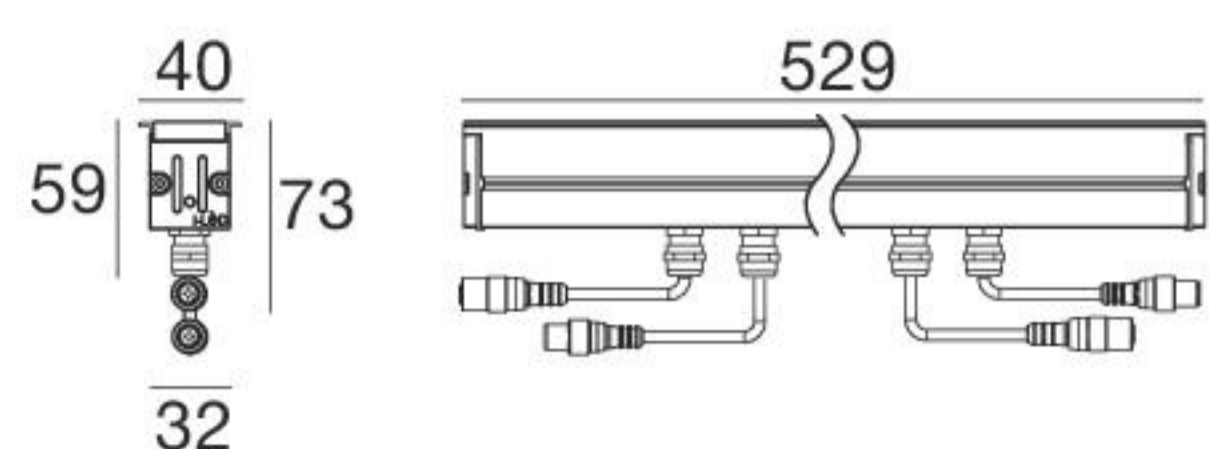
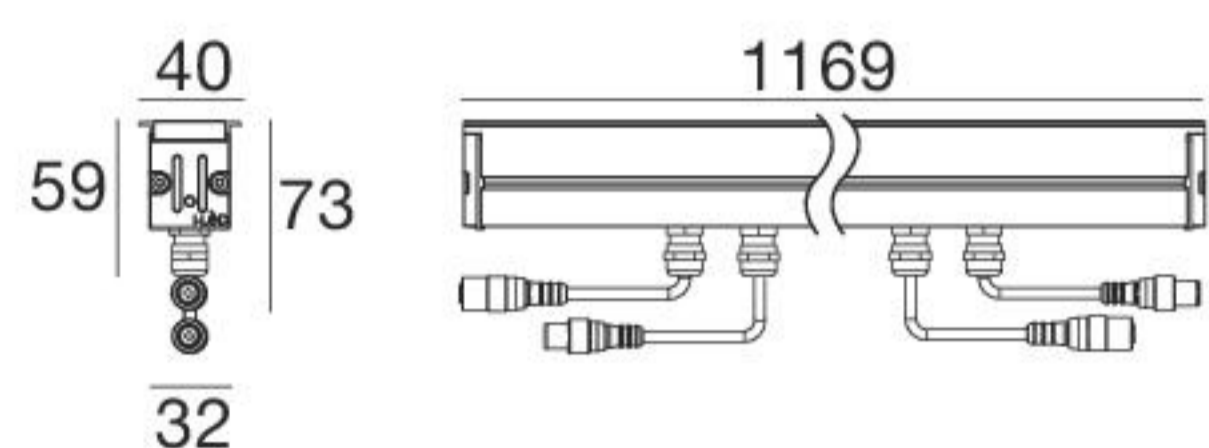


Xenia_A RGBW DMX | Linear profiles | 100-240V | topLED



12 W DC - 13 W AC

Anod. Al.	81939	RGBW natural white	Q	Medium Flood	20
		RGBW warm white	V	Flood	50
				Wide Flood	90
				Asymmetric	07
				General	00



22 W DC - 24 W AC

Anod. Al.	81940	RGBW natural white	Q	Medium Flood	20
		RGBW warm white	V	Flood	50
				Wide Flood	90
				Asymmetric	07
				General	00

Outer casings



530 mm **99820**
1170 mm **99821**

2 x Line sealing caps



99766

Ceiling-mounted recessed installation spring



99818

Cables

99216 1,5 m power cable F 4 pin M12	89190 5 m power cable F 4 pin M12	98437 1 m Extension for power cable M+F 4 pin M12	98149 5 m Extension for power cable M+F 4 pin M12	89188 10 m Extension for power cable M+F 4 pin M12	89189 5 m DMX cable M 5 pin M12
89186 5 m DMX cable M 5 pin M12 + M 3 pin XLR	98494 5 m DMX cable M 5 pin M12 + F 3 pin XLR	98493 5 m DMX cable M 5 pin M12 + M 5 pin XLR	98994 1 m DMX extension M+F	98993 5 m DMX extension M+F	89187 10 m DMX extension M+F

Electronics



DMX controllers
995



89564
DMX
address



89365
DMX LINE
Clouser 120 Ohm