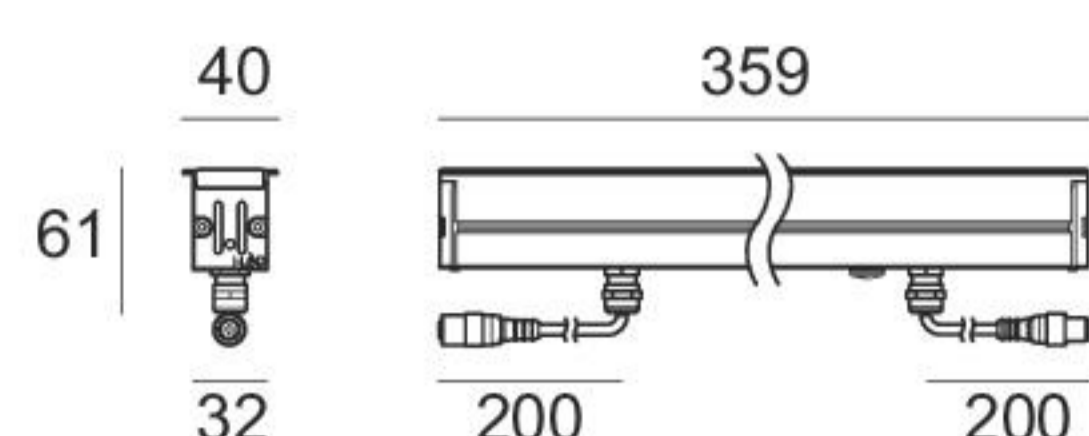
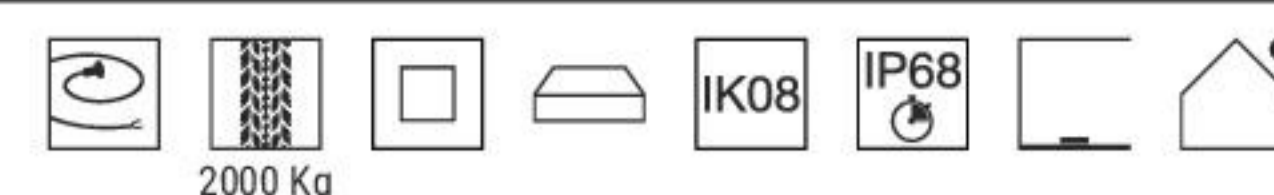
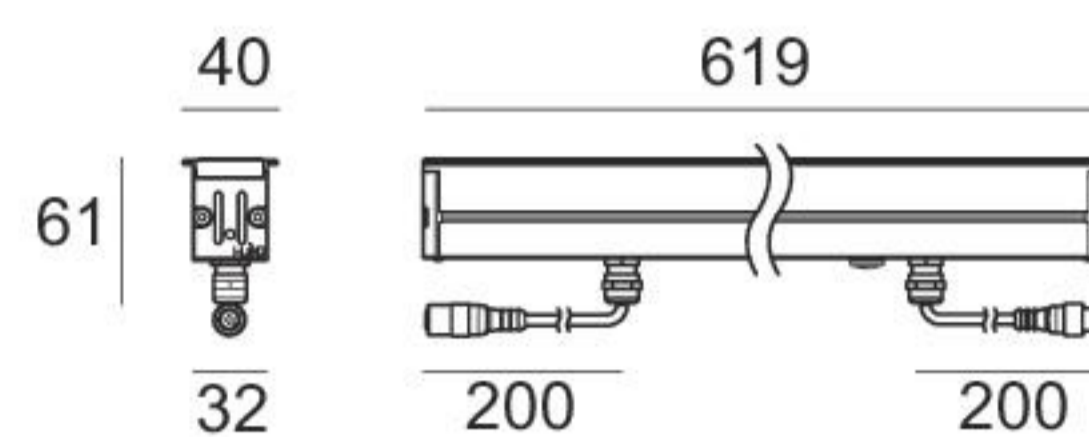


Xenia\_A | Linear profiles | 190-250V | topLED 20 W /m



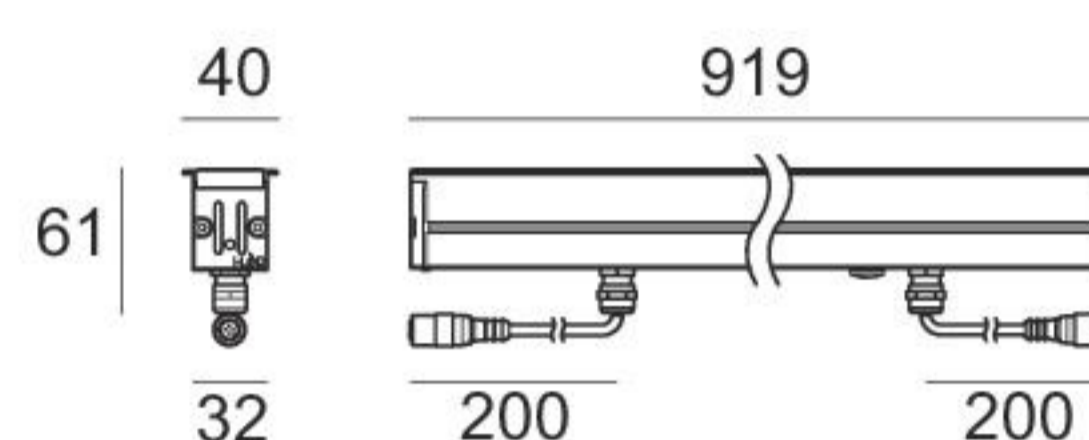
6,5 W DC - 7,15 W AC

Anod. Al.	On/Off	<b>81457</b>	2700K	764 lm	<b>M</b>	Spot	<b>20</b>
			3000K	801 lm	<b>W</b>	Medium Flood	<b>50</b>
			4000K	838 lm	<b>N</b>	Flood	<b>90</b>
						Asymmetric	<b>07</b>



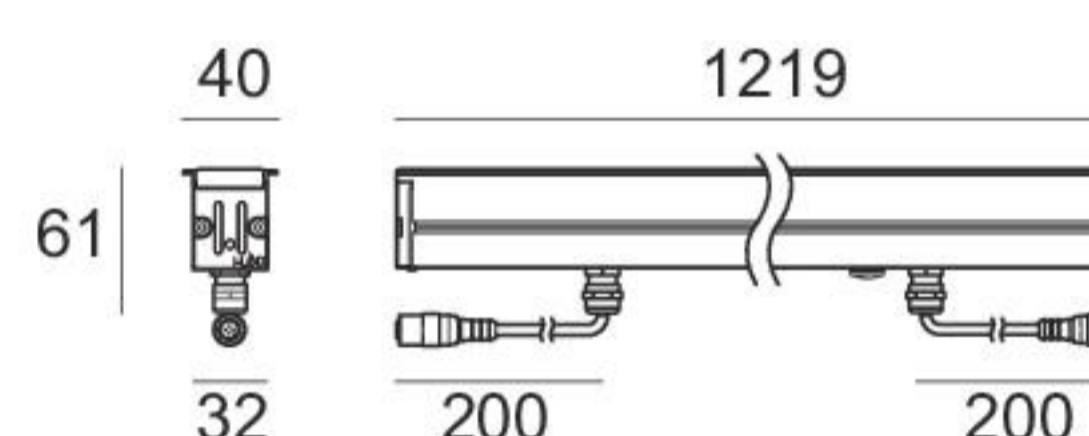
13 W DC - 14,3 W AC

Anod. Al.	On/Off	<b>81458</b>	2700K	1528 lm	<b>M</b>	Spot	<b>20</b>
			3000K	1602 lm	<b>W</b>	Medium Flood	<b>50</b>
			4000K	1676 lm	<b>N</b>	Flood	<b>90</b>
						Asymmetric	<b>07</b>



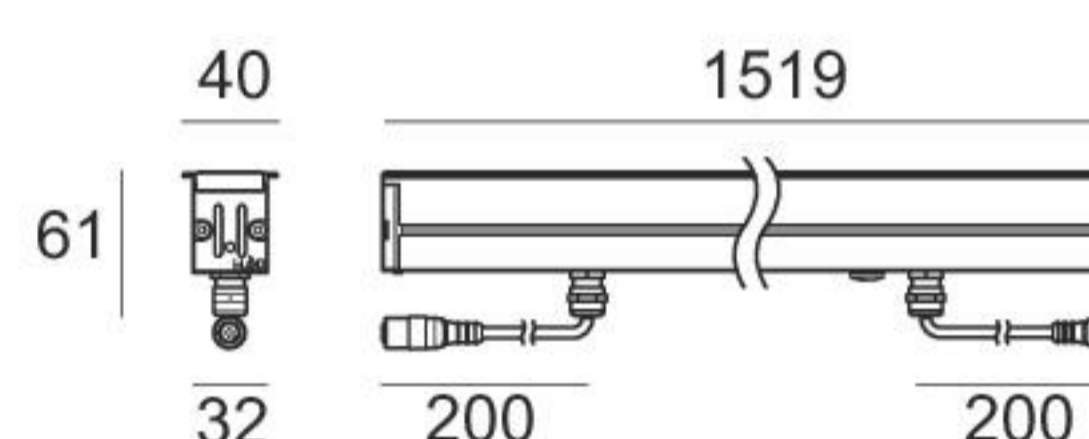
19,5 W DC - 21,5 W AC

Anod. Al.	On/Off	<b>81459</b>	2700K	2292 lm	<b>M</b>	Spot	<b>20</b>
			3000K	2403 lm	<b>W</b>	Medium Flood	<b>50</b>
			4000K	2514 lm	<b>N</b>	Flood	<b>90</b>
						Asymmetric	<b>07</b>



26 W DC - 28,6 W AC

Anod. Al.	On/Off	<b>81460</b>	2700K	3056 lm	<b>M</b>	Spot	<b>20</b>
			3000K	3204 lm	<b>W</b>	Medium Flood	<b>50</b>
			4000K	3352 lm	<b>N</b>	Flood	<b>90</b>
						Asymmetric	<b>07</b>



32,5 W DC - 35,8 W AC

Anod. Al.	On/Off	<b>81622</b>	2700K	3820 lm	<b>M</b>	Spot	<b>20</b>
			3000K	4005 lm	<b>W</b>	Medium Flood	<b>50</b>
			4000K	4190 lm	<b>N</b>	Flood	<b>90</b>
						Asymmetric	<b>07</b>

Outer casings

	360 mm	<b>99761</b>
	620 mm	<b>99762</b>
	920 mm	<b>99763</b>
	1220 mm	<b>99764</b>
	1520 mm	<b>99765</b>

2 x Line sealing caps

	<b>99766</b>
	<b>99818</b>

Cables

<b>99216</b>	<b>89190</b>	<b>98437</b>	<b>98149</b>	<b>89188</b>
1,5 m power cable F 4 pin M12	5 m power cable F 4 pin M12	1 m Extension for power cable M+F 4 pin M12	5 m Extension for power cable M+F 4 pin M12	10 m Extension for power cable M+F 4 pin M12