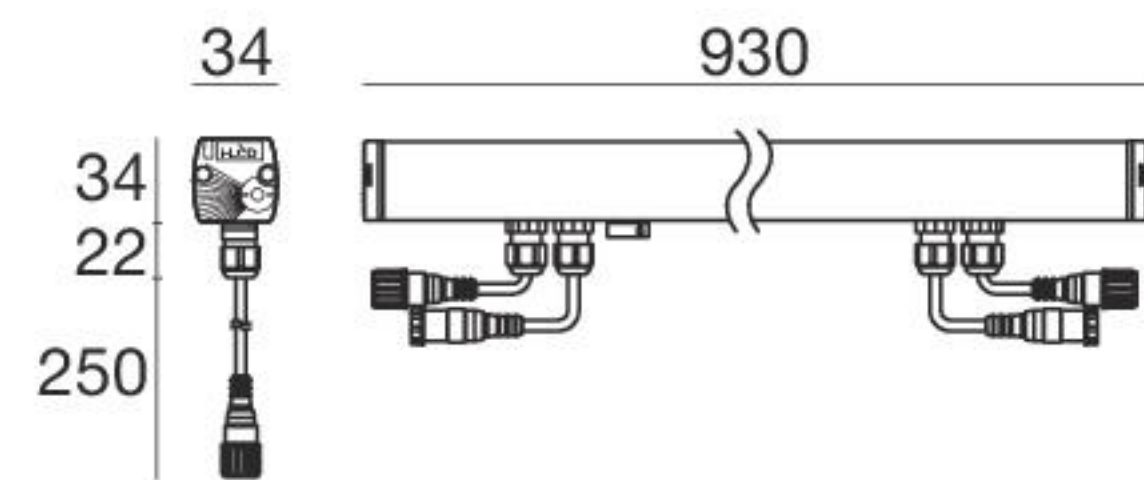


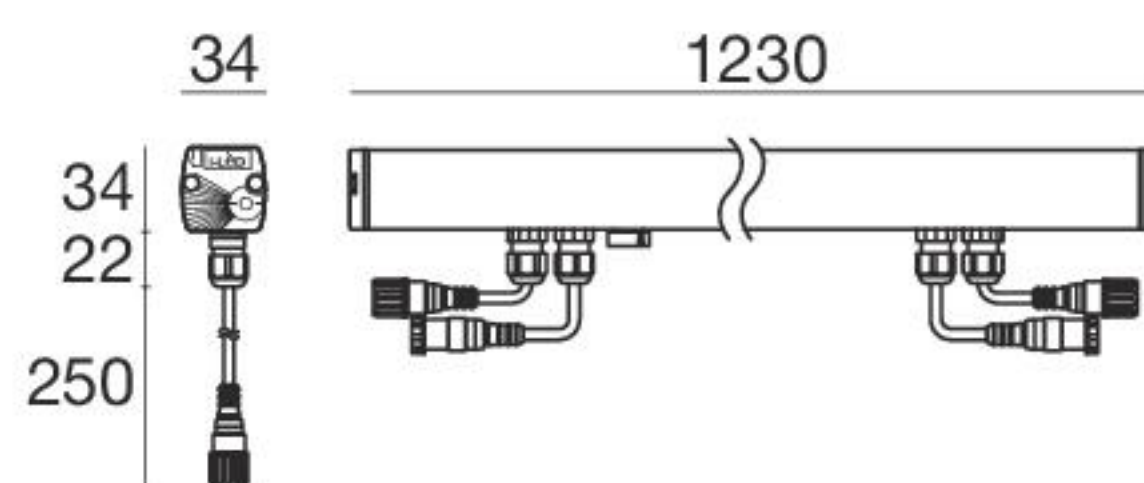
8,4 W DC - 10,1 W AC

Anod. Al.	DALI	81713	2700K	1117 lm	M	Narrow Spot	08
			3000K	1200 lm	W	Medium Flood	20
			4000K	1274 lm	N	Flood	50
						Wide Flood	90
						Elliptic	25
						Asymmetric	07



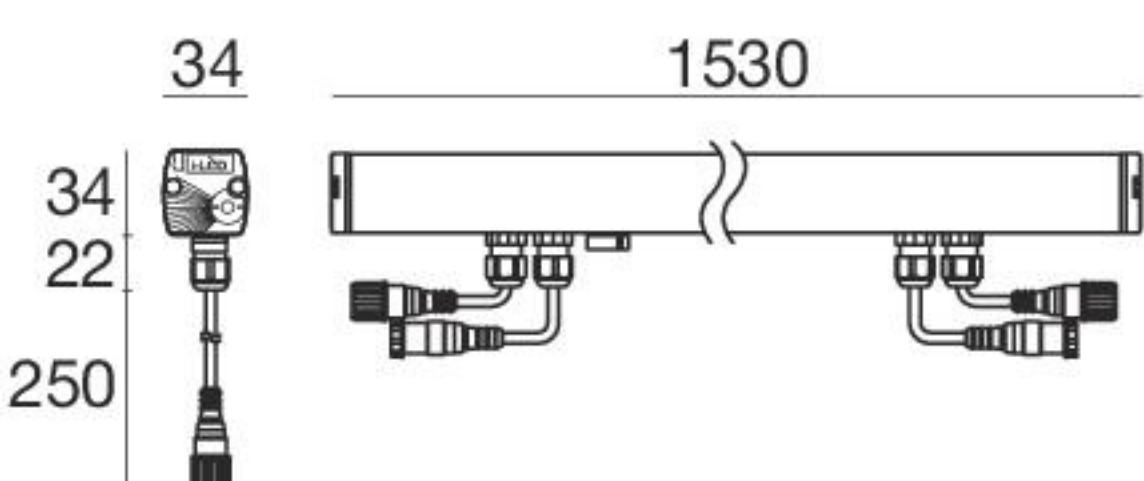
12,8 W DC - 14,4 W AC

Anod. Al.	DALI	81714	2700K	1676 lm	M	Narrow Spot	08
			3000K	1800 lm	W	Medium Flood	20
			4000K	1911 lm	N	Flood	50
						Wide Flood	90
						Elliptic	25
						Asymmetric	07



17,1 W DC - 19,1 W AC

Anod. Al.	DALI	81715	2700K	2234 lm	M	Narrow Spot	08
			3000K	2400 lm	W	Medium Flood	20
			4000K	2549 lm	N	Flood	50
						Wide Flood	90
						Elliptic	25
						Asymmetric	07



21,4 W DC - 24 W AC

Anod. Al.	DALI	81716	2700K	2793 lm	M	Narrow Spot	08
			3000K	3000 lm	W	Medium Flood	20
			4000K	3186 lm	N	Flood	50
						Wide Flood	90
						Elliptic	25
						Asymmetric	07

Steel fixing brackets

	46-67 mm	98949
	90 mm	89045
	150 mm	89046
	300 mm	89047

Anti-glaring accessory

	366 mm	98782
	630 mm	98783
	930 mm	98784
	1230 mm	98785
	1530 mm	99778

Cables

99216	89190	98437	98149	89188
1,5 m power cable F 4 pin M12	5 m power cable F 4 pin M12	1 m Extension for power cable M+F 4 pin M12	5 m Extension for power cable M+F 4 pin M12	10 m Extension for power cable M+F 4 pin M12
89362	89361			
5 m 1-10V_DALI cable F 5 pin M12	10 m 1-10V_ DALI extension M+F 5 pin M12			