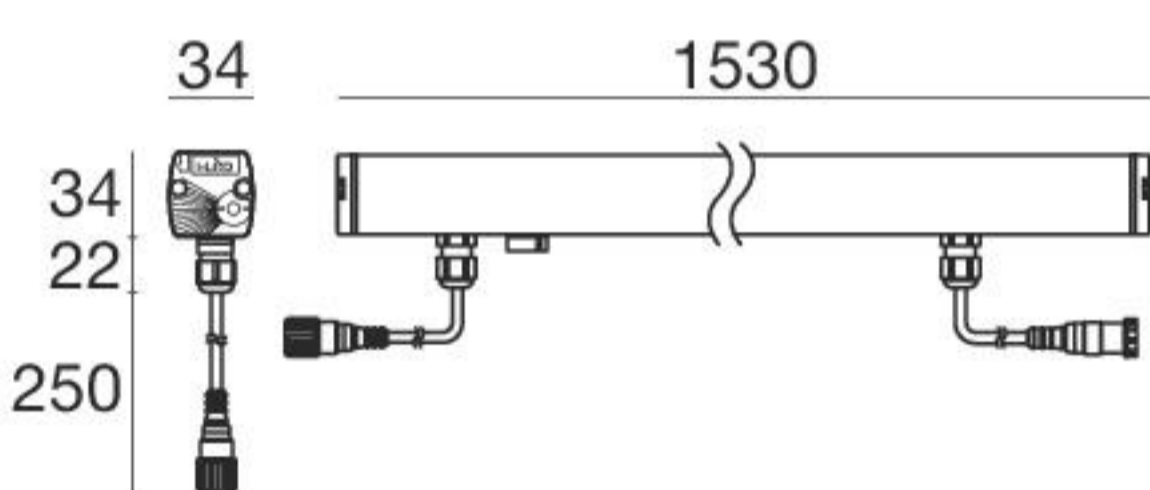
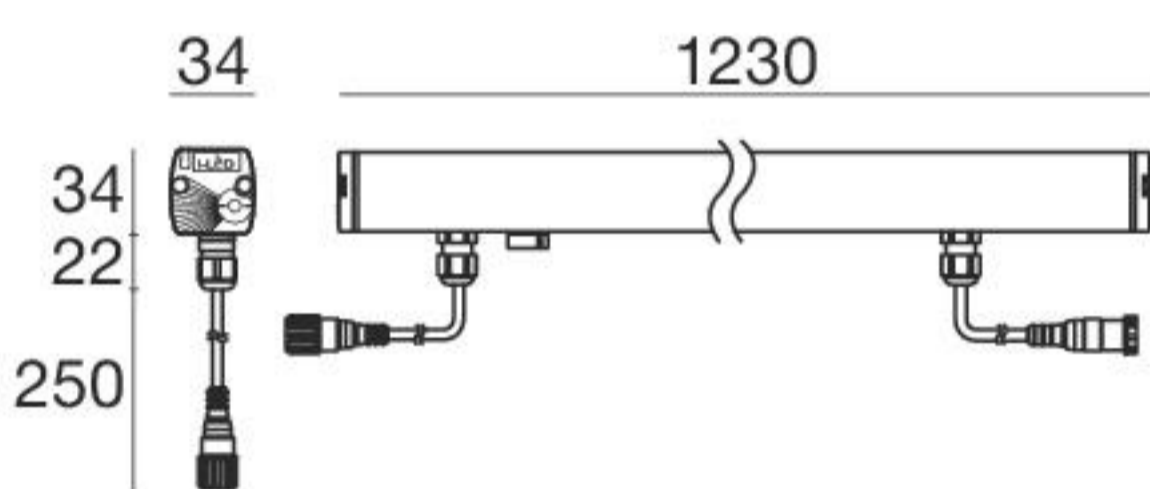
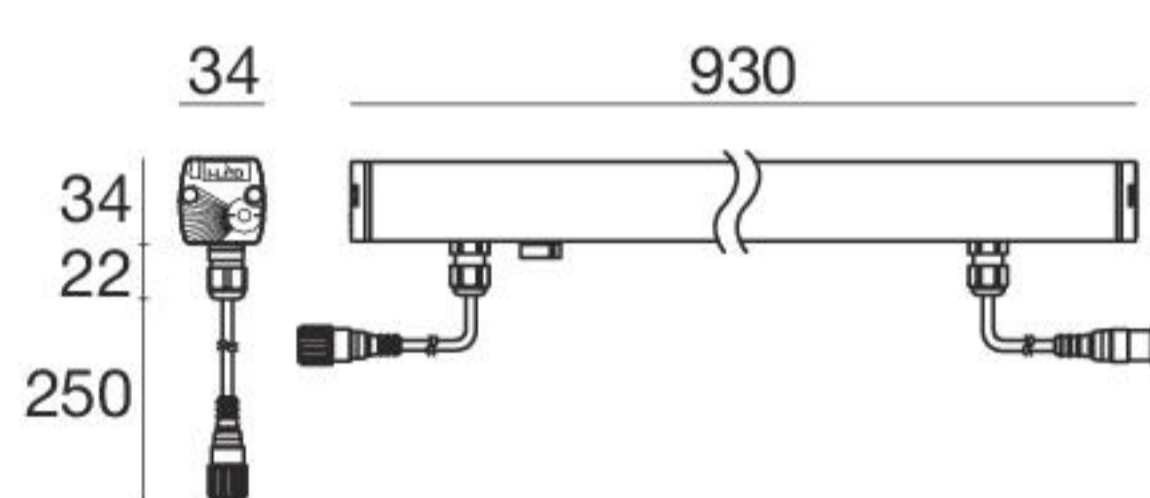
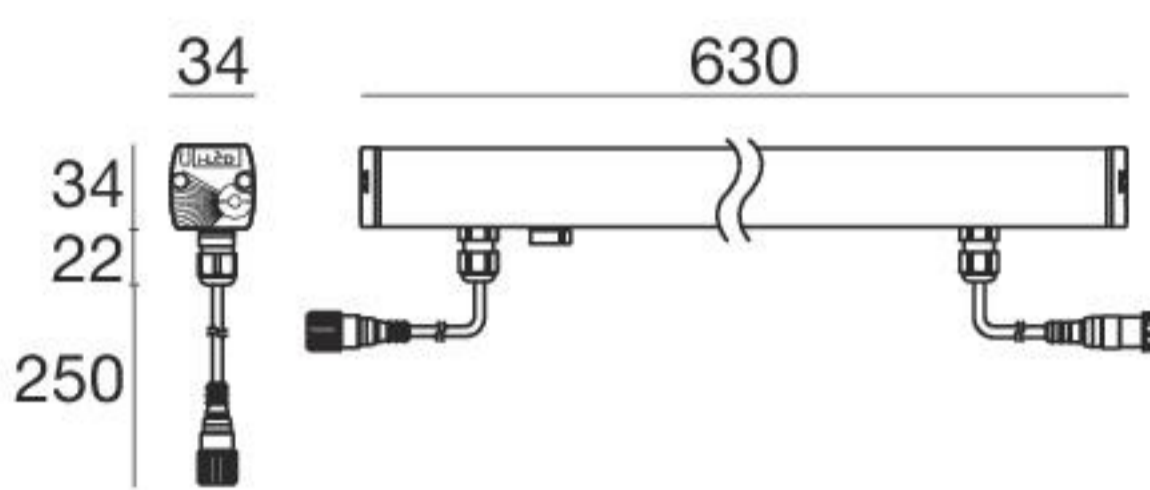
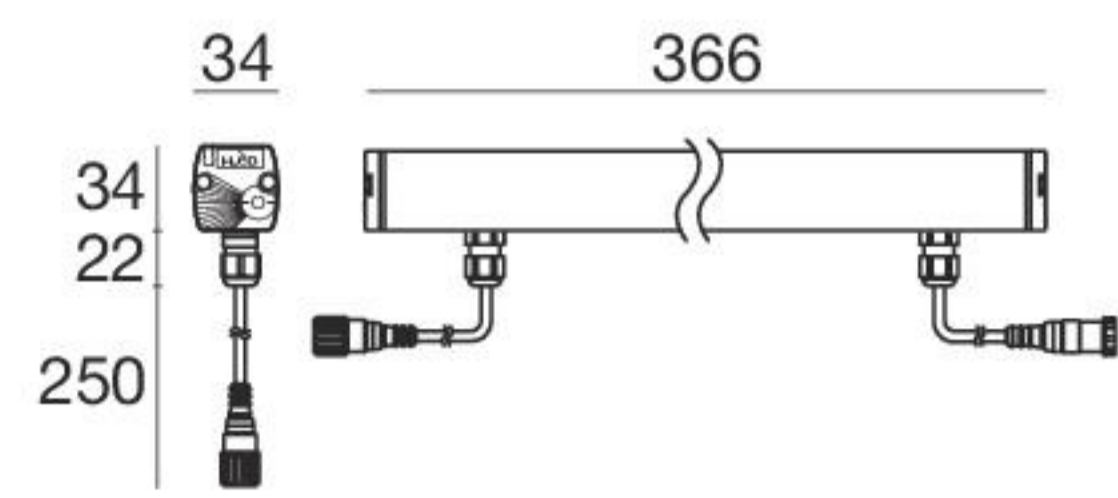


Xenia_W ON/OFF | Linear profiles | 100-240V | topLED



6,5 W DC - 7,15 W AC

| | | | | | | | |
|-----------|--------|--------------|-------|--------|----------|--------------|-----------|
| Anod. Al. | On/Off | 93688 | 2700K | 764 lm | M | Spot | 20 |
| | | | 3000K | 801 lm | W | Medium Flood | 50 |
| | | | 4000K | 838 lm | N | Flood | 90 |
| | | | | | | Asymmetric | 07 |
| | | | | | | General | 00 |

13 W DC - 14,3 W AC

| | | | | | | | |
|-----------|--------|--------------|-------|---------|----------|--------------|-----------|
| Anod. Al. | On/Off | 93689 | 2700K | 1528 lm | M | Spot | 20 |
| | | | 3000K | 1602 lm | W | Medium Flood | 50 |
| | | | 4000K | 1676 lm | N | Flood | 90 |
| | | | | | | Asymmetric | 07 |
| | | | | | | General | 00 |

19,5 W DC - 21,5 W AC

| | | | | | | | |
|-----------|--------|--------------|-------|---------|----------|--------------|-----------|
| Anod. Al. | On/Off | 94020 | 2700K | 2292 lm | M | Spot | 20 |
| | | | 3000K | 2403 lm | W | Medium Flood | 50 |
| | | | 4000K | 2514 lm | N | Flood | 90 |
| | | | | | | Asymmetric | 07 |
| | | | | | | General | 00 |

26 W DC - 28,6 W AC

| | | | | | | | |
|-----------|--------|--------------|-------|---------|----------|--------------|-----------|
| Anod. Al. | On/Off | 94023 | 2700K | 3056 lm | M | Spot | 20 |
| | | | 3000K | 3204 lm | W | Medium Flood | 50 |
| | | | 4000K | 3352 lm | N | Flood | 90 |
| | | | | | | Asymmetric | 07 |
| | | | | | | General | 00 |

32,5 W DC - 35,8 W AC

| | | | | | | | |
|-----------|--------|--------------|-------|---------|----------|--------------|-----------|
| Anod. Al. | On/Off | 81695 | 2700K | 3820 lm | M | Spot | 20 |
| | | | 3000K | 4005 lm | W | Medium Flood | 50 |
| | | | 4000K | 4190 lm | N | Flood | 90 |
| | | | | | | Asymmetric | 07 |
| | | | | | | General | 00 |

Steel fixing brackets

| | | |
|--|----------|--------------|
| | 46-67 mm | 98949 |
| | 90 mm | 89045 |
| | 150 mm | 89046 |
| | 300 mm | 89047 |

Anti-glaring accessory

| | | |
|--|---------|--------------|
| | 366 mm | 98782 |
| | 630 mm | 98783 |
| | 930 mm | 98784 |
| | 1230 mm | 98785 |
| | 1530 mm | 99778 |

Cables

| | | | | |
|----------------------------------|--------------------------------|---|---|--|
| 99216 | 89190 | 98437 | 98149 | 89188 |
| 1,5 m power cable F 4 pin M12 | 5 m power cable F 4 pin M12 | 1 m Extension for power cable M+F 4 pin M12 | 5 m Extension for power cable M+F 4 pin M12 | 10 m Extension for power cable M+F 4 pin M12 |