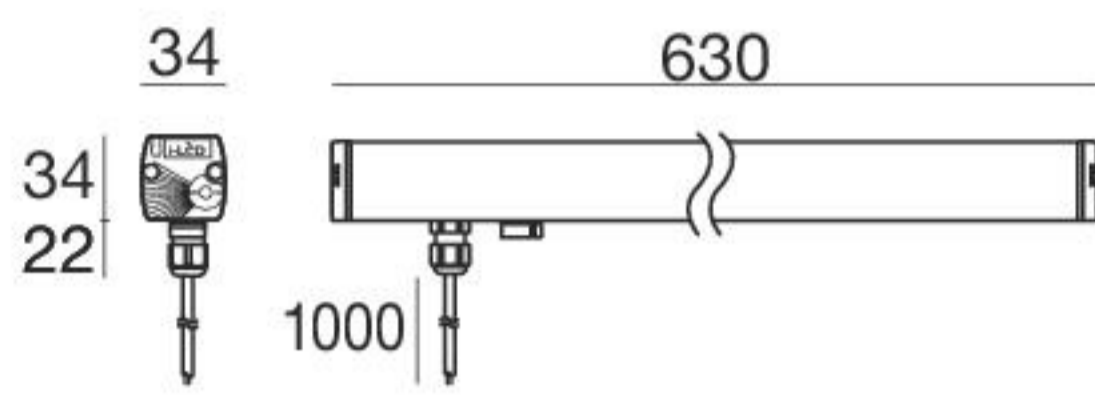


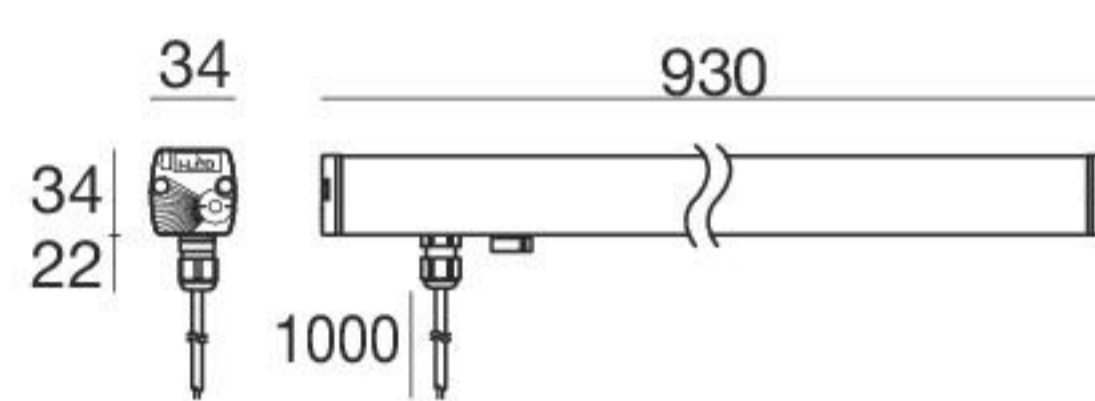
6,5 W DC

Anod. Al.	93786	2700K	764 lm	M	Medium Flood	20
		3000K	801 lm	W	Flood	50
		4000K	838 lm	N	Wide Flood	90
					Asymmetric	07
					General	00



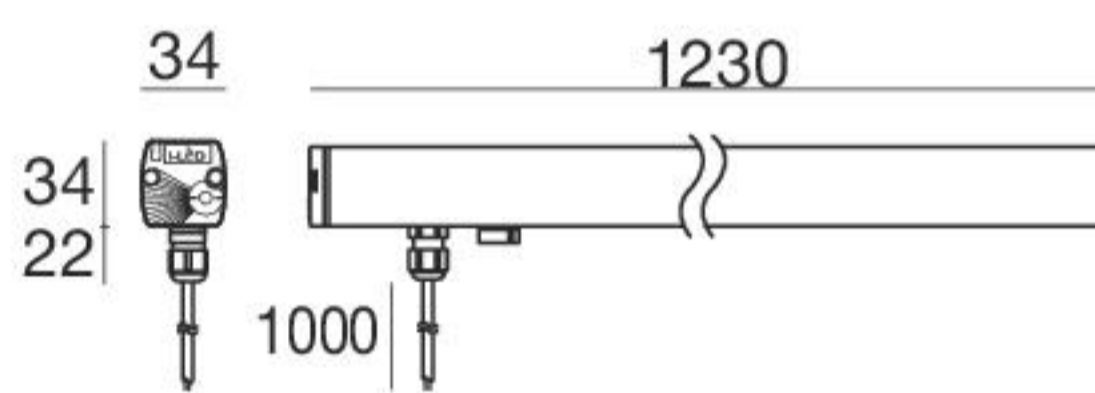
13 W DC

Anod. Al.	93825	2700K	1528 lm	M	Medium Flood	20
		3000K	1602 lm	W	Flood	50
		4000K	1676 lm	N	Wide Flood	90
					Asymmetric	07
					General	00



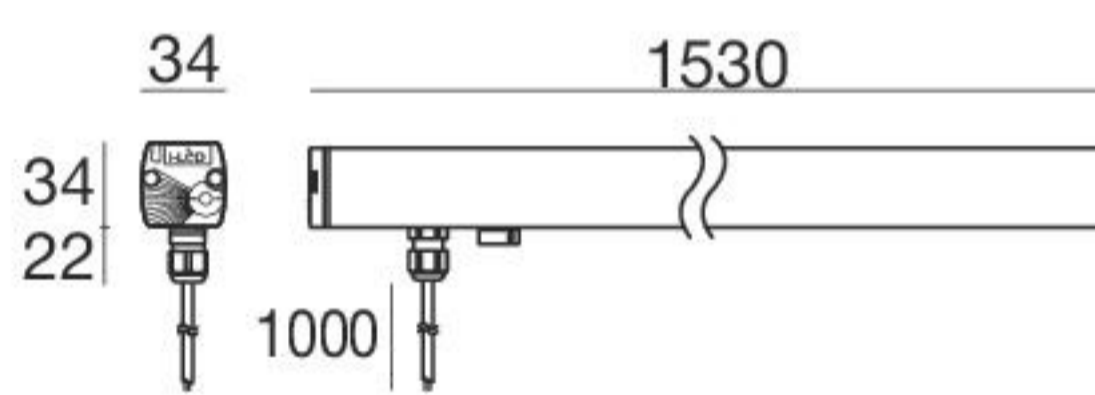
19,5 W DC

Anod. Al.	93828	2700K	2292 lm	M	Medium Flood	20
		3000K	2403 lm	W	Flood	50
		4000K	2514 lm	N	Wide Flood	90
					Asymmetric	07
					General	00



26 W DC

Anod. Al.	93829	2700K	3056 lm	M	Medium Flood	20
		3000K	3204 lm	W	Flood	50
		4000K	3352 lm	N	Wide Flood	90
					Asymmetric	07
					General	00



32,5 W DC

Anod. Al.	81696	2700K	3820 lm	M	Medium Flood	20
		3000K	4005 lm	W	Flood	50
		4000K	4190 lm	N	Wide Flood	90
					Asymmetric	07
					General	00

Steel fixing brackets



46-67 mm	98949
90 mm	89045
150 mm	89046
300 mm	89047

Anti-glaring accessory



366 mm	98782
630 mm	98783
930 mm	98784
1230 mm	98785
1530 mm	99778

Electronics



89179
ON/OFF
24 W



89359
ON/OFF
48 W



99331
ON/OFF
150 W



99332
0/1-10V
150 W



99722
DALI
120 W