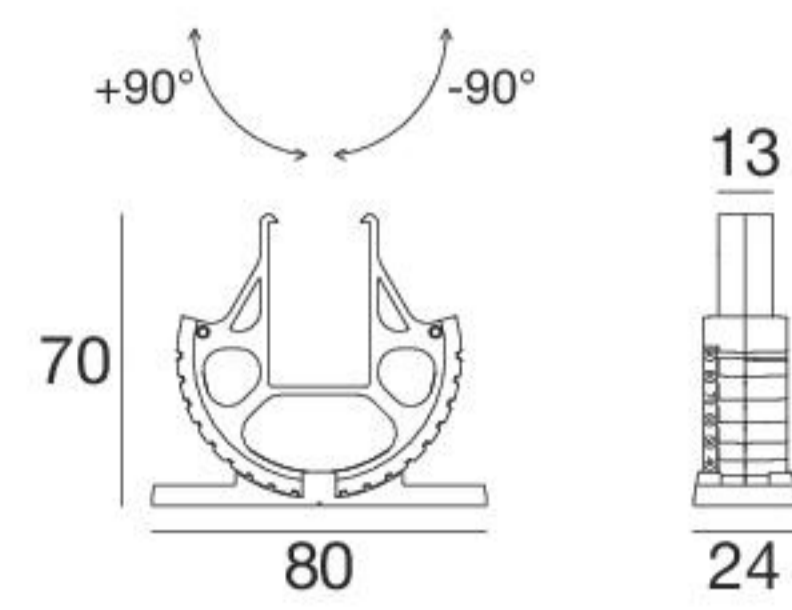


Paseo | Orientable floor-standing fixing system



Orientable clips

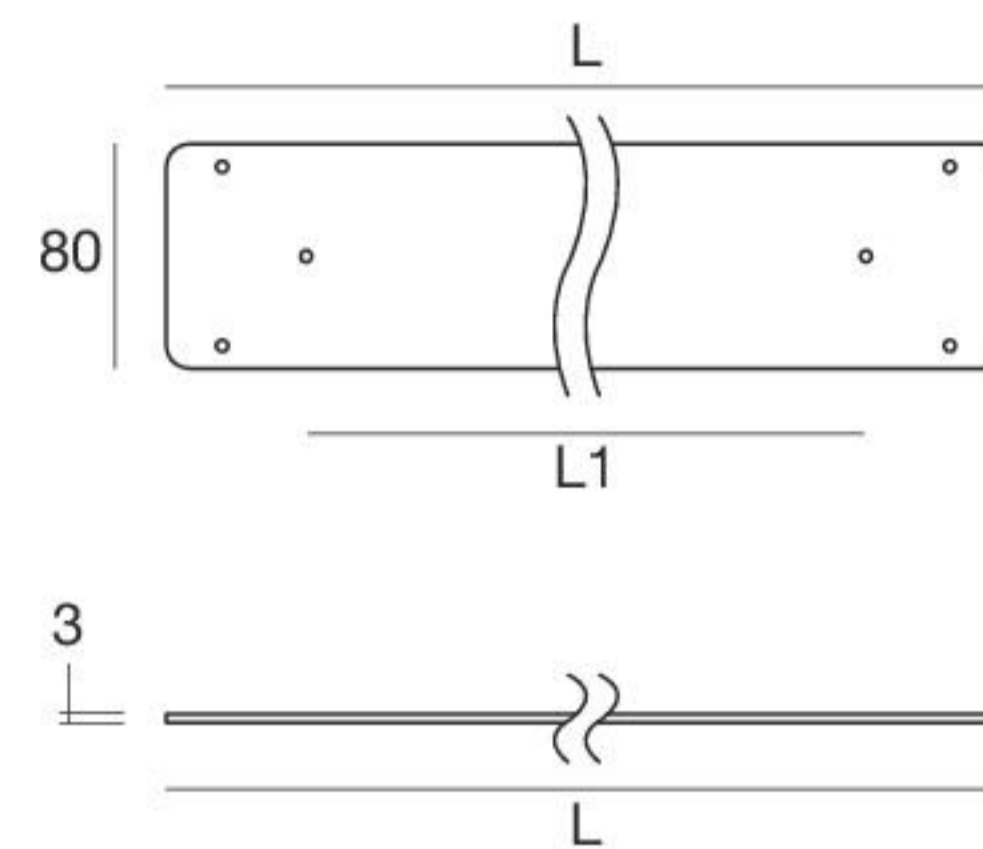


98771

Pair of fixing clips made of transparent polycarbonate so as not to alter the light emission of Paseo. Orientable accessory, allows to adjust the inclination of Paseo from +90° up to -90°.



Fixing base

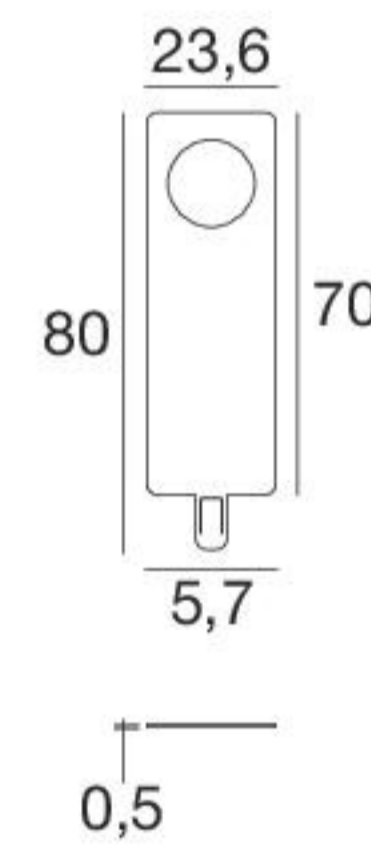


300 x 200 mm
Paseo 512 - 576 mm **98772**

950 x 850 mm
Paseo 1152 - 1452 mm **98773**

Possibility of using the independent plate (plate + clip + Paseo) as moveable support without fixing it to a surface (clips not included in codes 98772 - 98773).

Paseo | Extraction key



98475

Paseo extraction key is the tool you need to extract Paseo from the outer casing. Compatible with any type of Paseo outer casing.