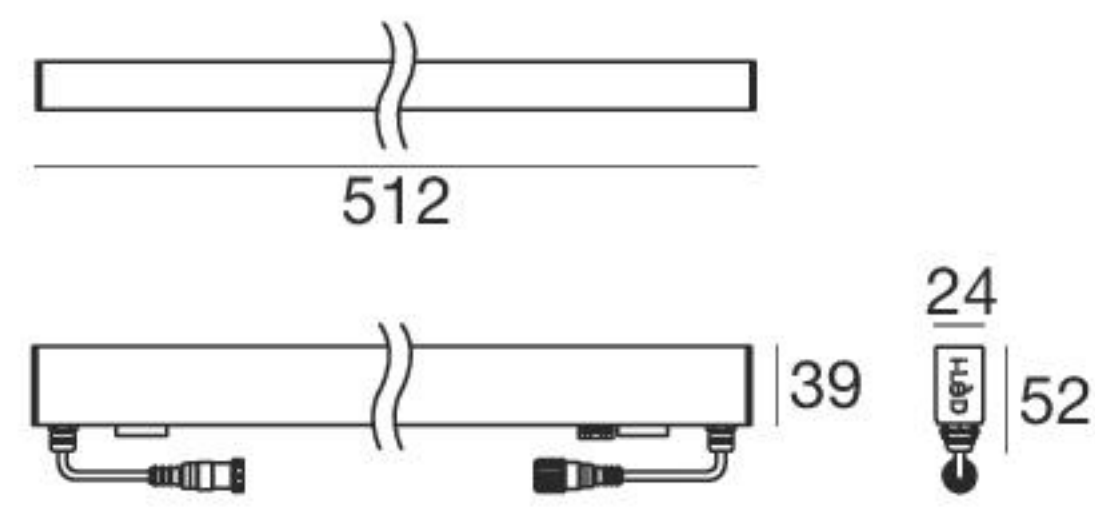


Paseo_L Anti-glare | Linear profiles | 24V | topLED 12 W/m

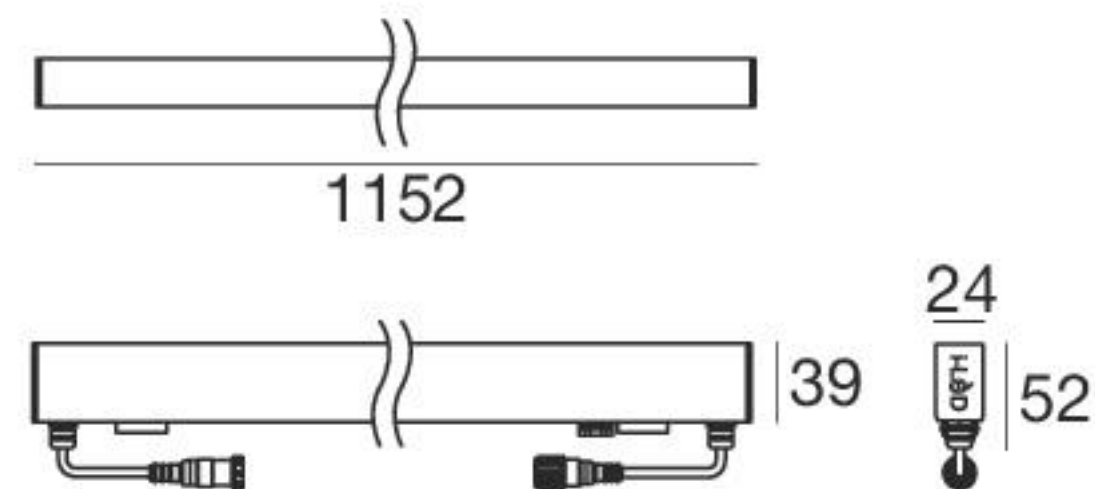


6 W - CRI 80

Transp. 94021	2700K	662 lm	M	Medium Flood	20
	3000K	720 lm	W	Asymmetric	07
	4000K	749 lm	N		

Electronics

89179 ON/OFF 1 - 4 art.	89359 ON/OFF 1 - 8 art.	99331 ON/OFF 1 - 25 art.	99332 0/1-10V 1 - 25 art.	99722 DALI 1 - 20 art.



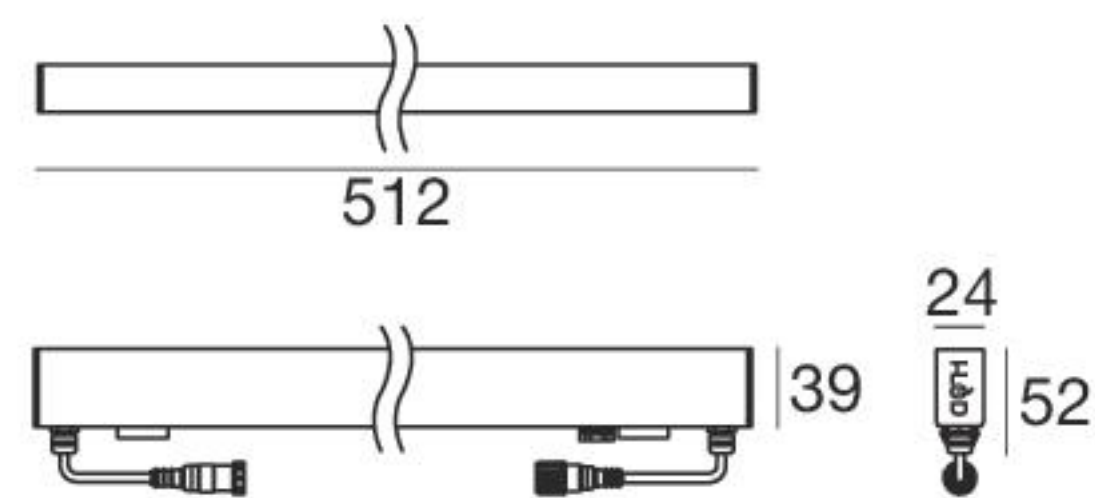
12 W - CRI 80

Transp. 94022	2700K	1208 lm	M	Medium Flood	20
	3000K	1313 lm	W	Asymmetric	07
	4000K	1365 lm	N		

Electronics

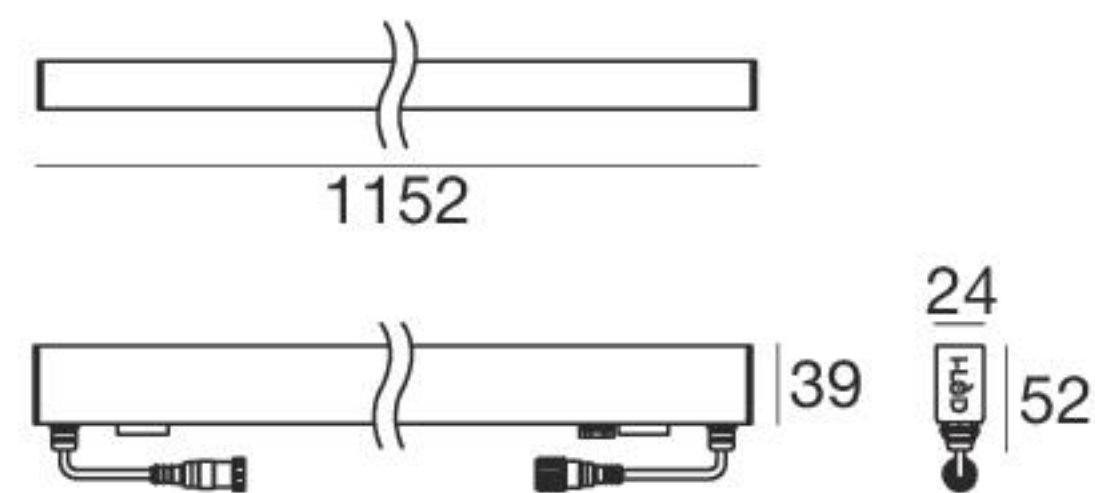
89179 ON/OFF 1 - 2 art.	89359 ON/OFF 1 - 4 art.	99331 ON/OFF 1 - 12 art.	99332 0/1-10V 1 - 12 art.	99722 DALI 1 - 10 art.

Paseo_L ON/OFF Anti-glare | Linear profiles | 100-240 V | topLED 12 W/m



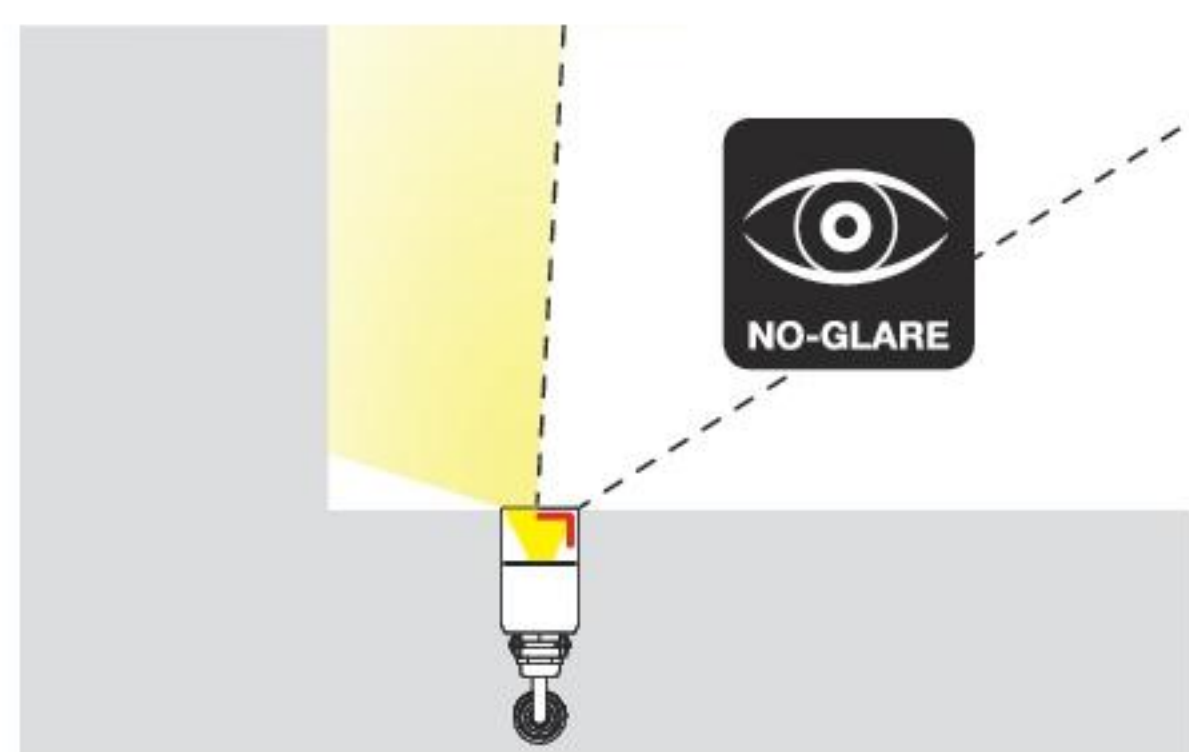
6,6 W - CRI 80

Transp. 93994	2700K	662 lm	M	Medium Flood	20
	3000K	720 lm	W	Asymmetric	07
	4000K	749 lm	N		



13,2 W - CRI 80

Transp. 93995	2700K	1208 lm	M	Medium Flood	20
	3000K	1313 lm	W	Asymmetric	07
	4000K	1365 lm	N		



Device equipped with Anti-glare profile for reducing direct glaring. The light emission intensity remains unvaried though.

Cables

99216 1,5 m power cable F 4 pin M12	89190 5 m power cable F 4 pin M12	98437 1 m Extension for power cable M+F 4 pin M12	98149 5 m Extension for power cable M+F 4 pin M12	89188 10 m Extension for power cable M+F 4 pin M12
--------------------------------------------------	------------------------------------------------	-------------------------------------------------------------------	-------------------------------------------------------------------	--------------------------------------------------------------------

Installation accessories



Outer casings and fixing systems