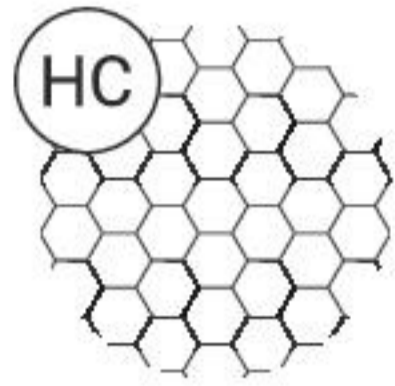
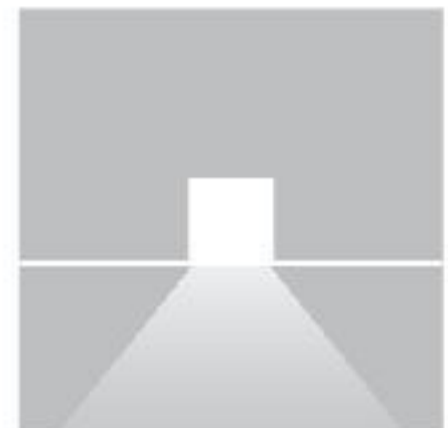
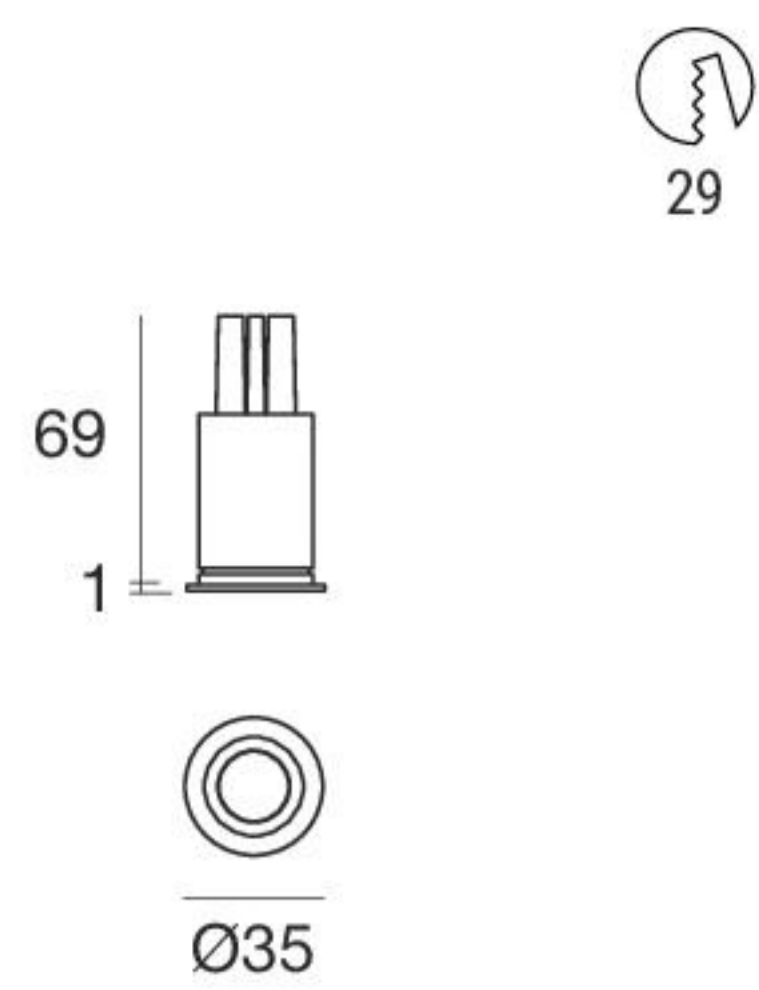


Warp_R | Downlight | powerLED 2 W 630 mA



RTG 90544W15
90544W30



The power supply requires a larger hole than the one indicated for the spotlight



Balance - CRI 92

White	90542	2700 K	157 lm	M	Spot	15
Black	90543	3000 K	179 lm	W	Medium Flood	30
					Flood	60



White	90722
Black	90723

Efficiency - CRI 80

White	90544	2700 K	219 lm	M	Spot	15
Black	90545	3000 K	233 lm	W	Medium Flood	30
		4000 K	249 lm	N	Flood	60



White	90720
Black	90721

Electronics



89147
ON/OFF
1 - 2 art.



99710
0/1-10V converter
1 art.

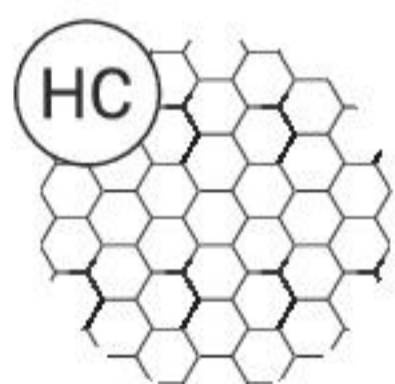
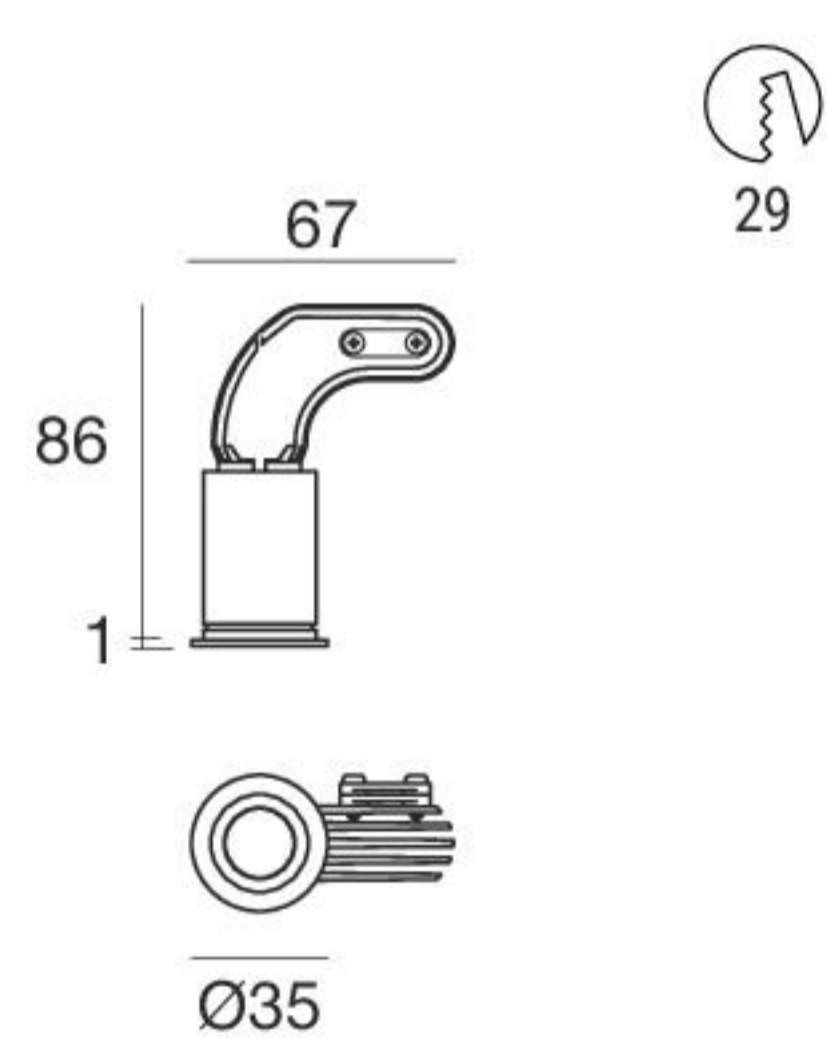
+ driver CV 24V
981



99713
DALI converter
1 art.

+ driver CV 24V
981

Warp_R | Downlight | powerLED 4 W 350 mA



The power supply requires a larger hole than the one indicated for the spotlight



Balance - CRI 92

White	90740	2700 K	395 lm	M	Spot	15
Black	90741	3000 K	423 lm	W	Medium Flood	30
		4000 K	456 lm	N	Flood	60



White	90744
Black	90745

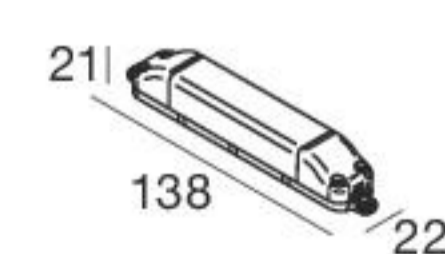
Efficiency - CRI 80

White	90546	2700 K	490 lm	M	Spot	15
Black	90547	3000 K	490 lm	W	Medium Flood	30
		4000 K	529 lm	N	Flood	60

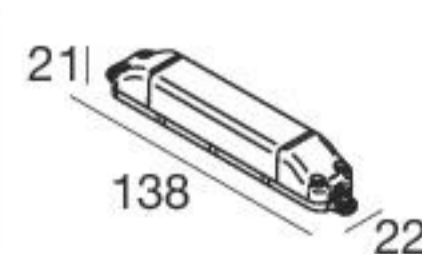


White	90742
Black	90743

Electronics

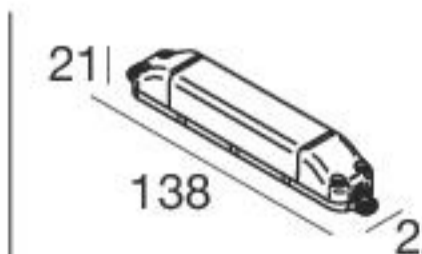


89145
ON/OFF
1 art.



99708
0/1-10V converter
1 art.

+ driver CV 24V
981



99711
DALI converter
1 art.

+ driver CV 24V
981