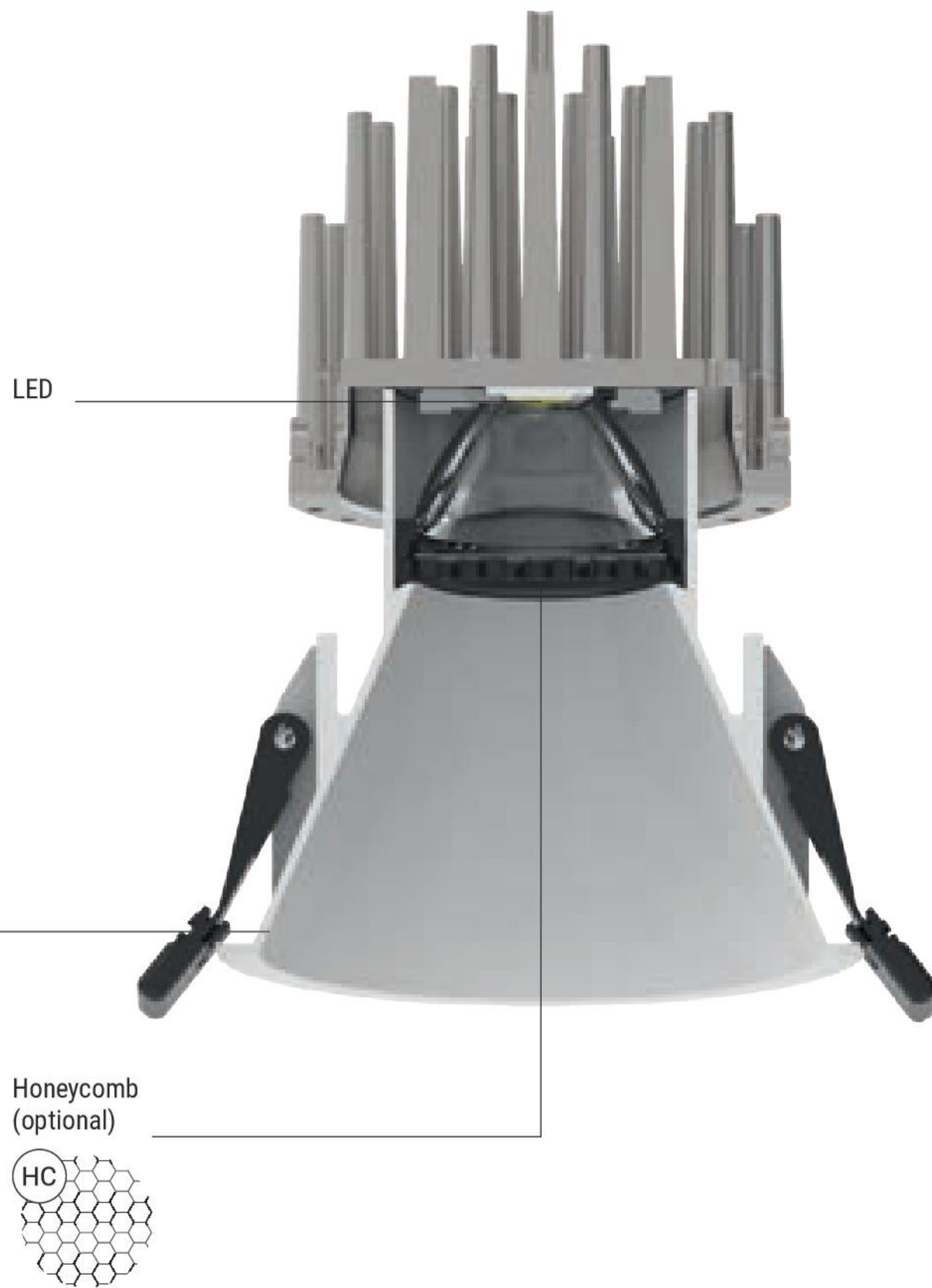


F.O.L.™

The optics group consists of a polycarbonate lens combined with F.O.L.™ (Filtering Optical Layers) filters: a 5-filter patented system made of polyethylene terephthalate with different levels of opacity to safeguard the clarity of the light beam and it guarantees optimal optical efficiency.

HC Visual comfort

The honeycomb-like filter integrated in the Honeycomb versions allows to shield the source further. The hexagonal microcells forming the grid contribute towards shielding the secondary light beam, thus almost eliminating the glaring altogether.



IP44
IP65

Frame minimale

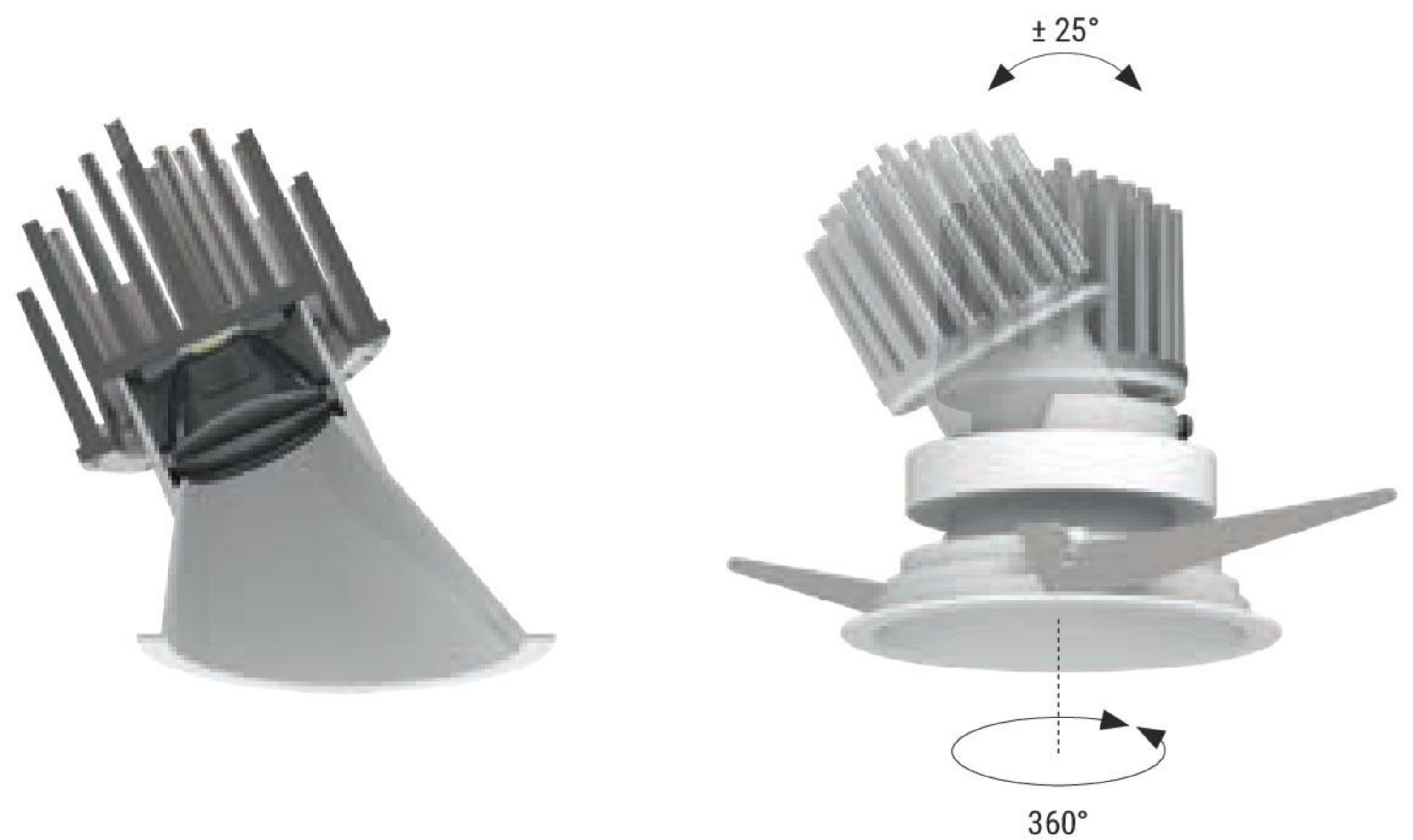


Asymmetric version

The articles of the Warp_RY and Warp_QY range of products are slanted by 25° and offer an asymmetric emission, ideal for the uniform distribution of light on lateral surfaces. The slanted configuration of the lamp body allows to conceal the light source, thus eliminating direct glaring.

Tilting version

The Warp_RJ range of products come with a 360° mobility on the horizontal axis and a 25° tilt on the vertical axis.



Warm Tune rekindles lovely memories of the incandescence lamps: the light becomes progressively warmer and dimmer as the intensity reduces until reaches the candle effect. The arrayLED source used offers a high chromatic rendering index (CRI 92): the same features are also observable both when the lamp is set at maximum intensity, with a 3000 K colour temperature, and when it is regulated at minimum, with a 1800 K colour temperature.

