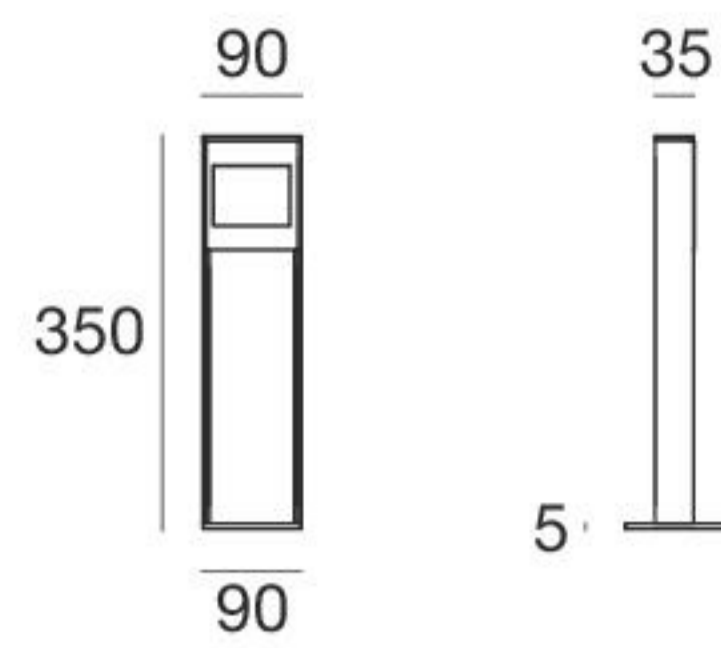
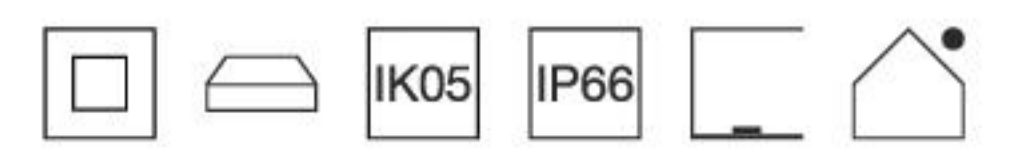


Peak | Bollards | 100-240 V | arrayLED 6,5 W DC - 7,5 W AC

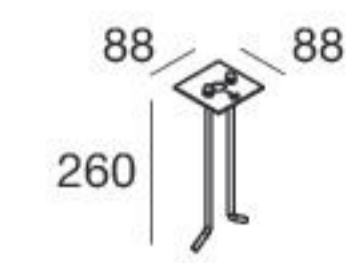


RTG 64794W07

CRI 80

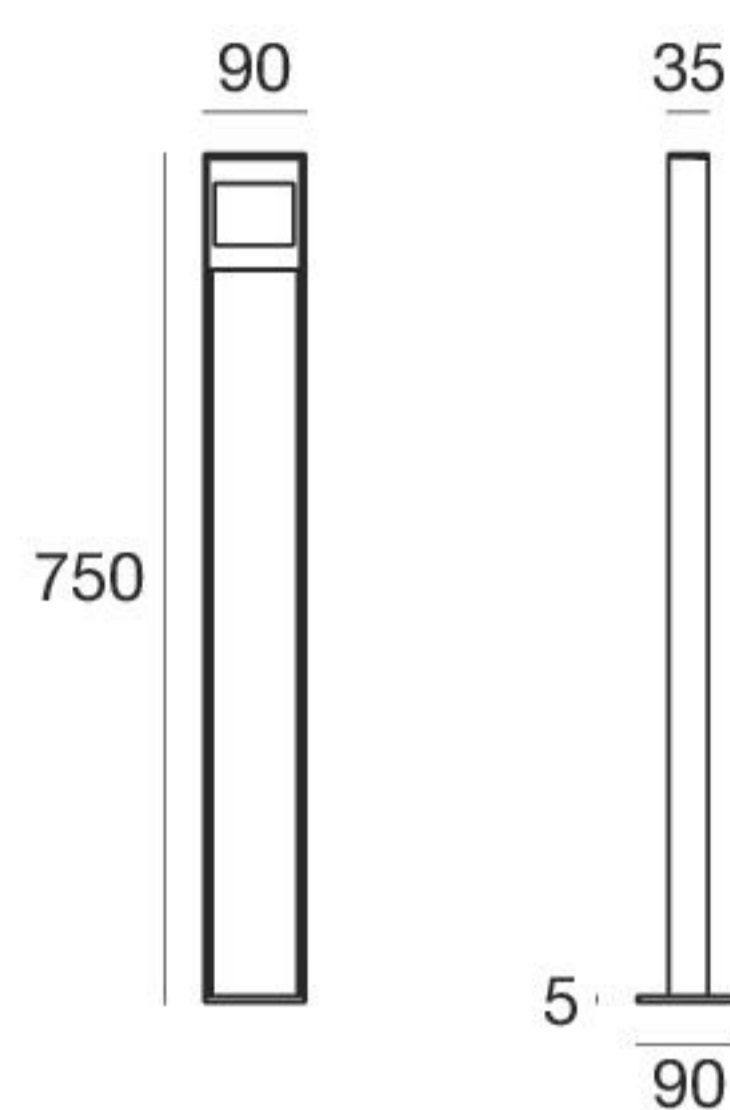
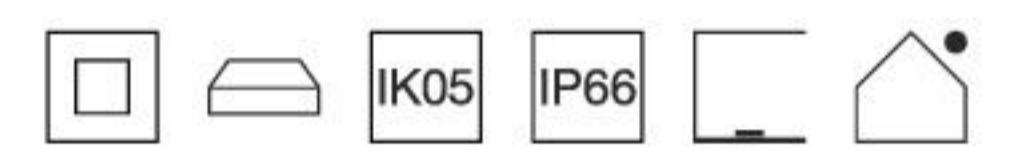
| | | | | | | |
|---------|--------------|--------|---------|----------|------------|-----------|
| Grey | 64794 | 3000 K | 988 lm | W | Asymmetric | 07 |
| BK Grey | 64795 | 4000 K | 1058 lm | N | | |
| Cor-Ten | 64796 | | | | | |

Accessories



65082
Bracket

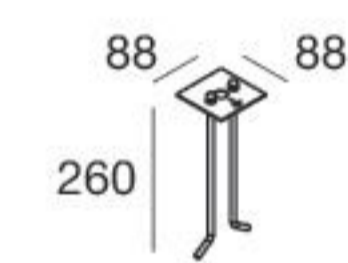
Peak | Bollards | 100-240 V | arrayLED 9,5 W DC - 10,5 W AC



CRI 80

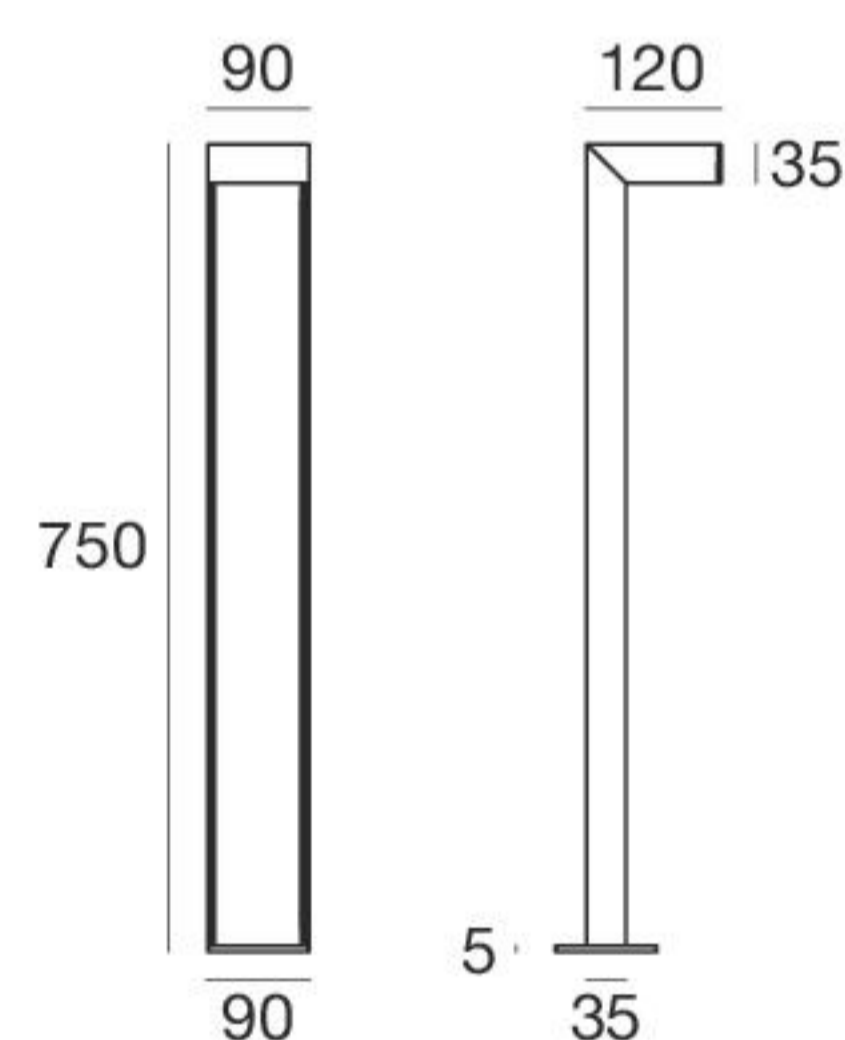
| | | | | | | |
|---------|--------------|--------|---------|----------|------------|-----------|
| Grey | 64791 | 3000 K | 1208 lm | W | Asymmetric | 07 |
| BK Grey | 64792 | 4000 K | 1294 lm | N | | |
| Cor-Ten | 64793 | | | | | |

Accessories



65082
Bracket

Peak_L | Bollards | 100-240 V | arrayLED 9,5 W DC - 10,5 W AC

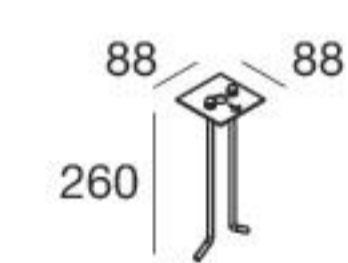


RTG 64790W07

CRI 80

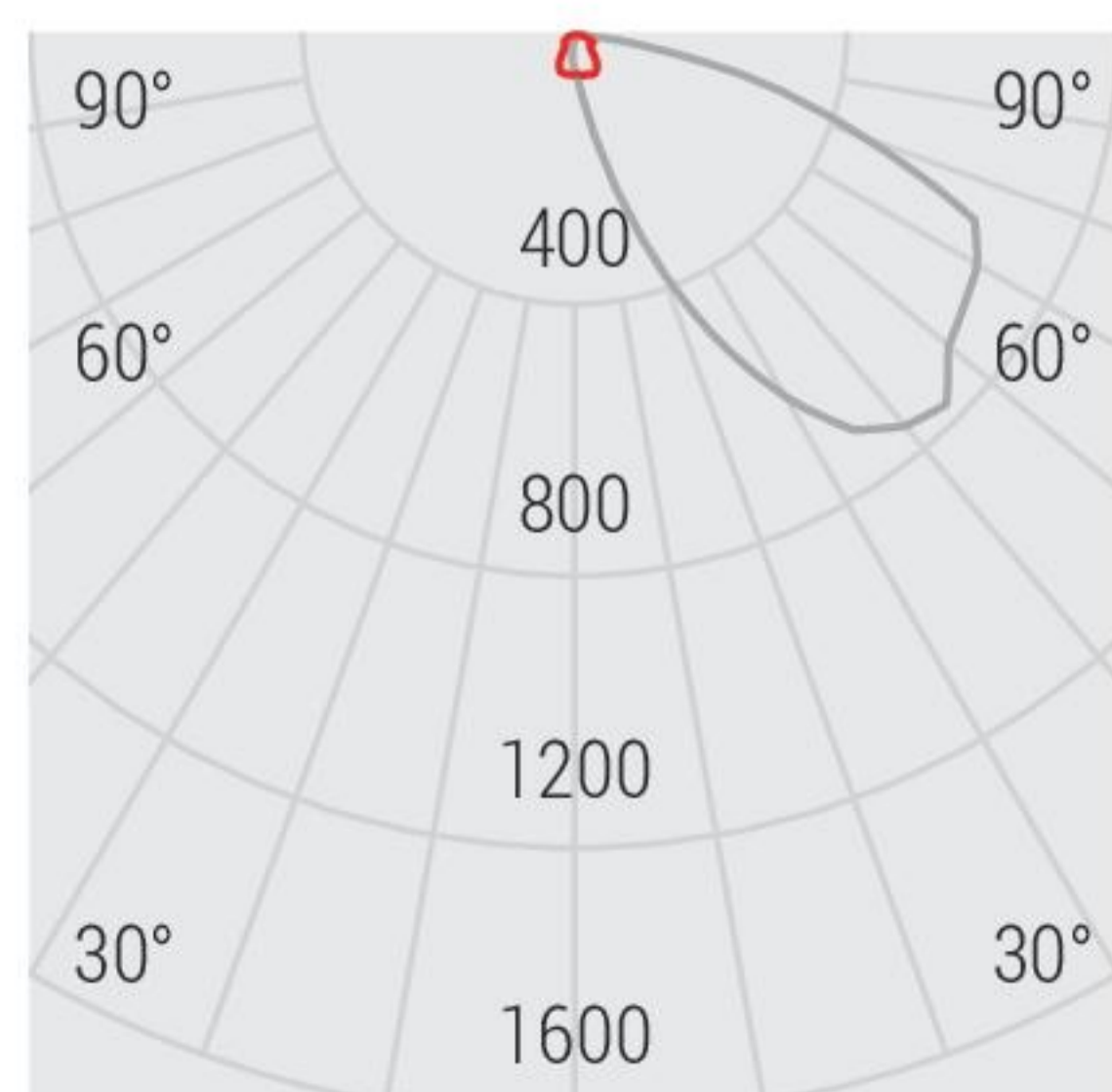
| | | | | | | |
|---------|--------------|--------|---------|----------|------------|-----------|
| Grey | 64788 | 3000 K | 1208 lm | W | Asymmetric | 07 |
| BK Grey | 64789 | 4000 K | 1294 lm | N | | |
| Cor-Ten | 64790 | | | | | |

Accessories

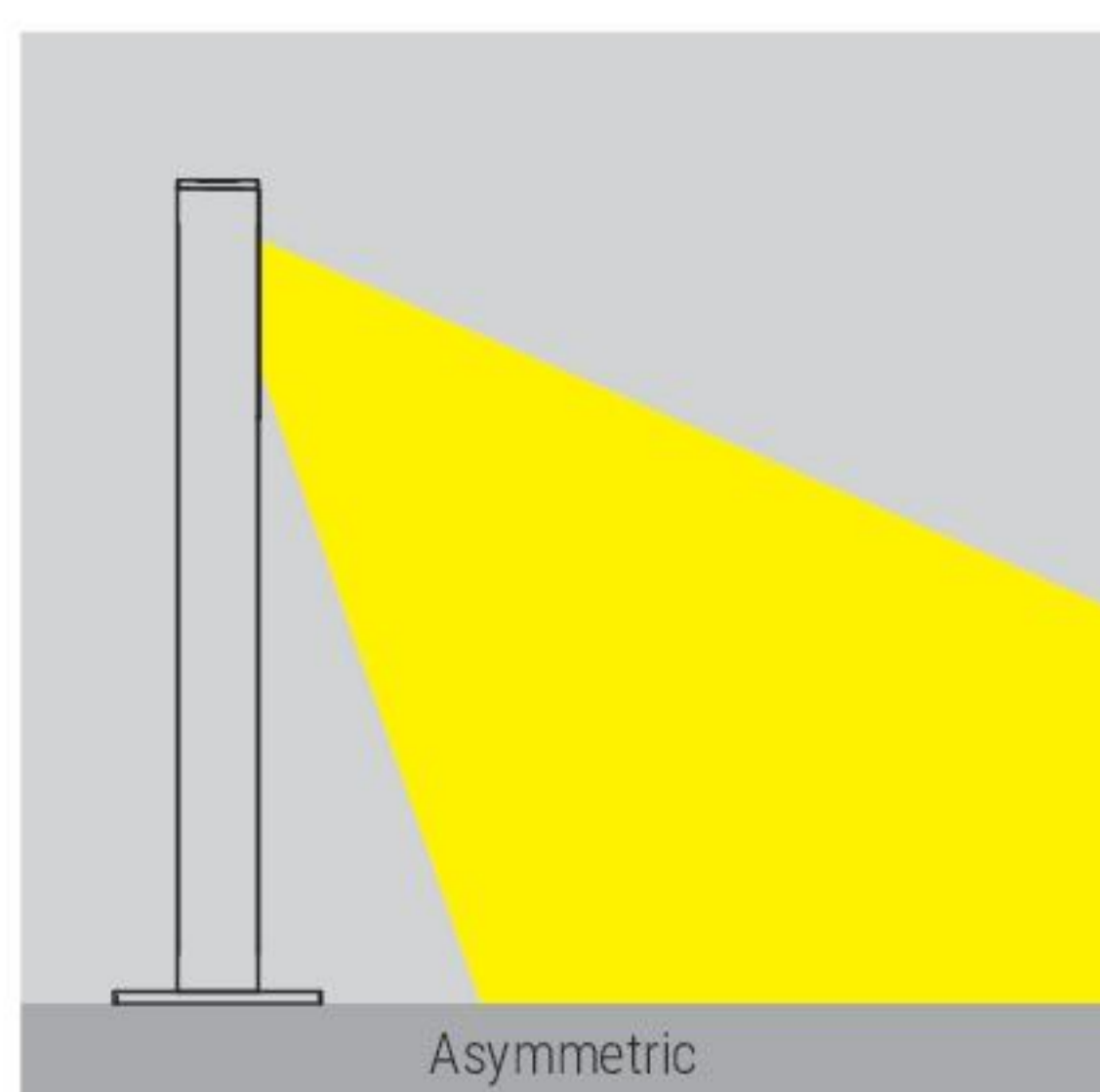


65082
Bracket

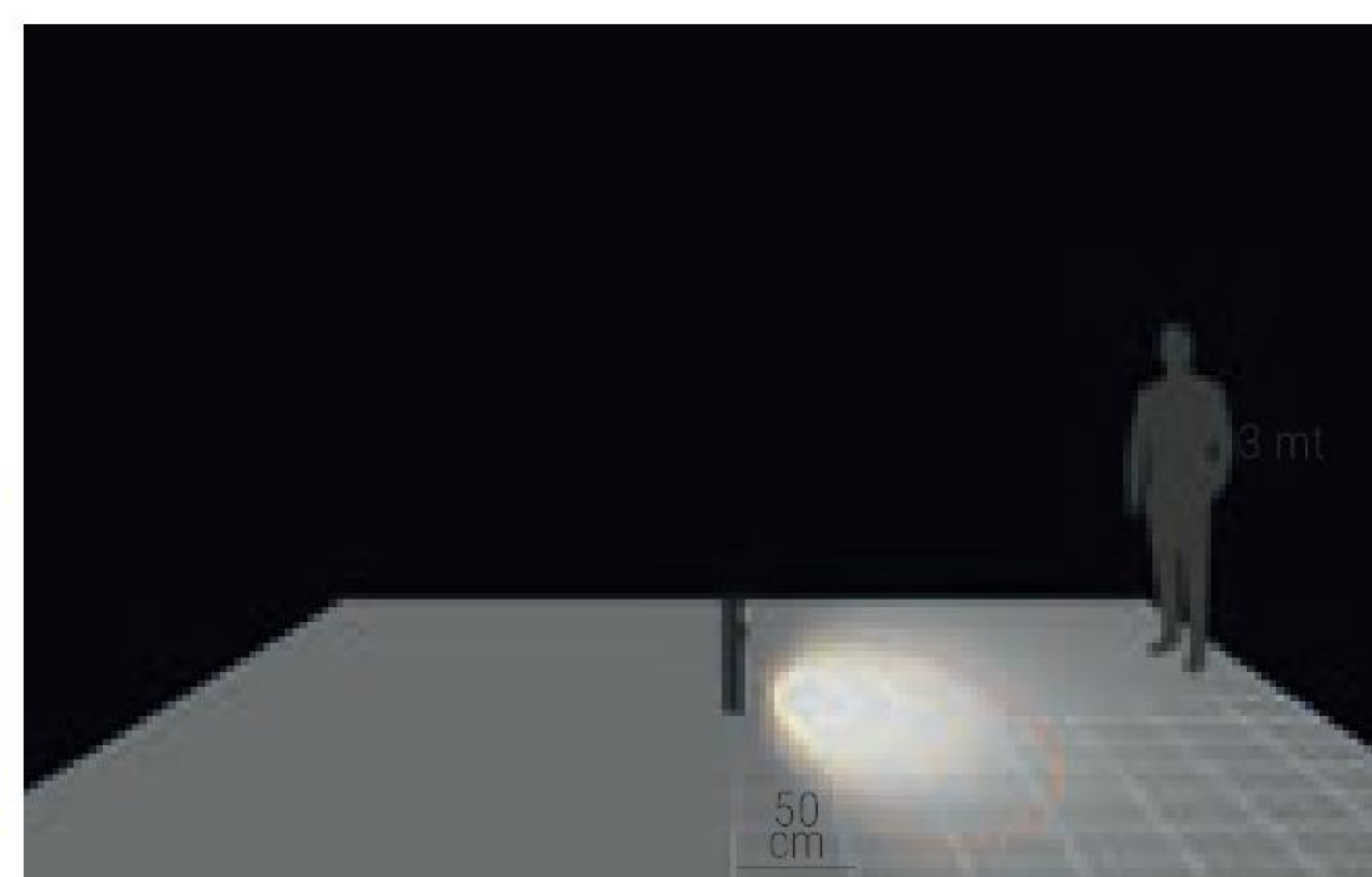
64794W07



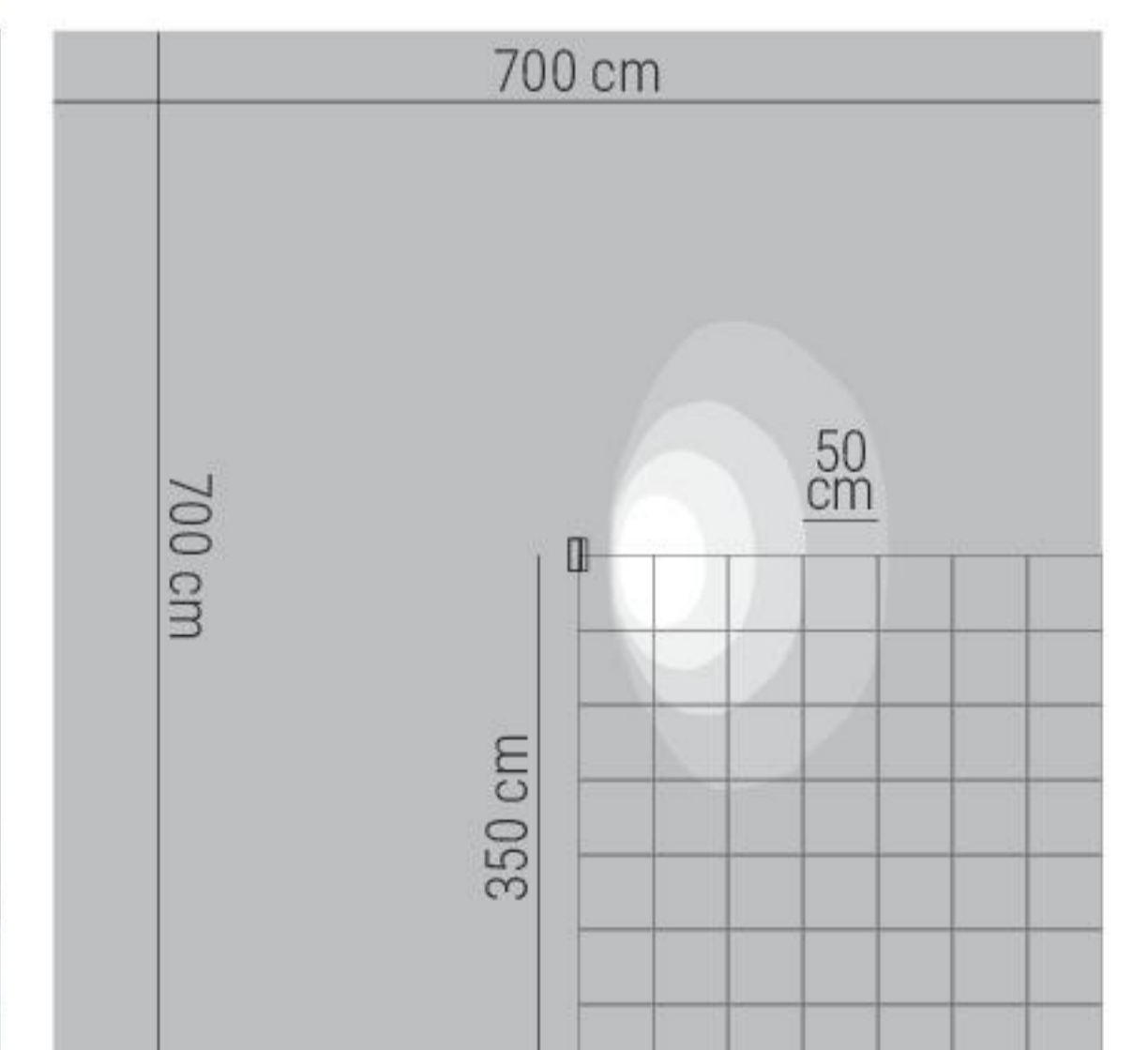
Photometric curve



Light beam



25 LUX 100 LUX 500 LUX 1000 LUX



Floor plan