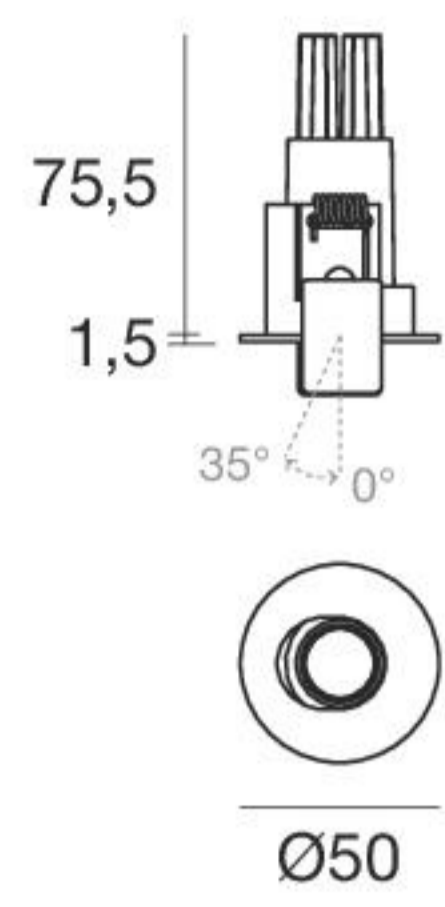


Quantum\_RJ | Downlight | powerLED 2 W 630 mA



Balance - CRI 92

White	<b>80047</b>	2700 K	157 lm	<b>M</b>	Spot	<b>15</b>
Black	<b>80048</b>	3000 K	179 lm	<b>W</b>	Medium Flood	<b>30</b>
					Flood	<b>45</b>



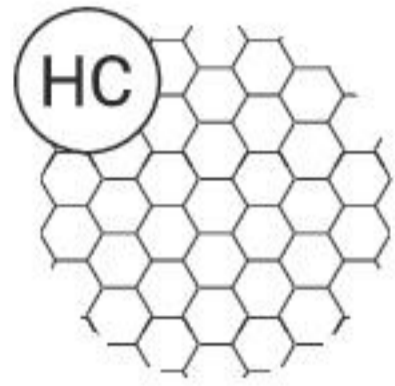
White	<b>80051</b>
Black	<b>80052</b>

Efficiency - CRI 80

White	<b>90566</b>	2700 K	219 lm	<b>M</b>	Spot	<b>15</b>
Black	<b>90567</b>	3000 K	233 lm	<b>W</b>	Medium Flood	<b>30</b>
		4000 K	249 lm	<b>N</b>	Flood	<b>45</b>



White	<b>80049</b>
Black	<b>80050</b>



The power supply requires a larger hole than the one indicated for the spotlight

Electronics



**89147**  
ON/OFF  
1 - 2 art.



**99710**  
0/1-10V converter  
1 art.

+ driver CV 24V  
981

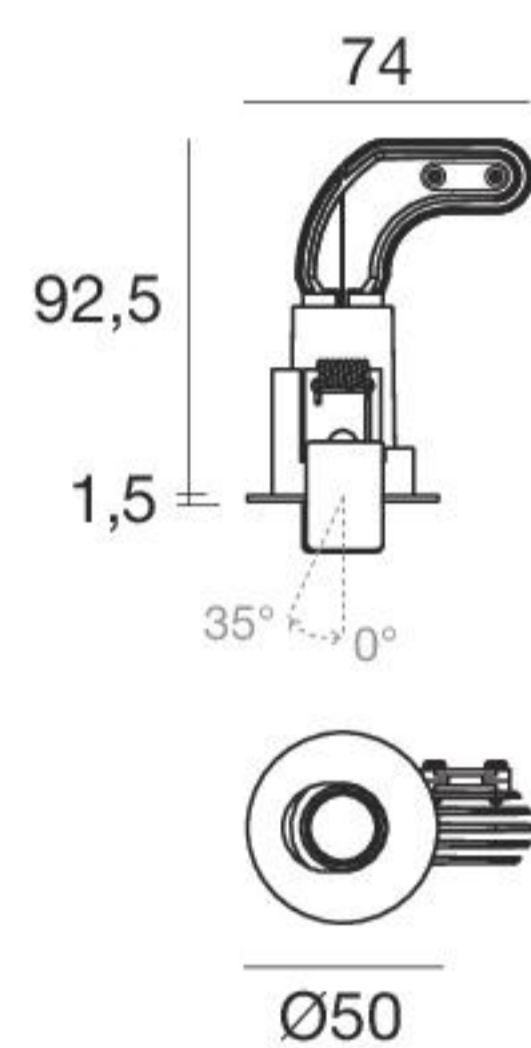


**99713**  
DALI converter  
1 art.

+ driver CV 24V  
981



Quantum\_RJ | Downlight | powerLED 4 W 350 mA



Balance - CRI 92

White	<b>80053</b>	2700 K	395 lm	<b>M</b>	Spot	<b>15</b>
Black	<b>80054</b>	3000 K	423 lm	<b>W</b>	Medium Flood	<b>30</b>
		4000 K	456 lm	<b>N</b>	Flood	<b>45</b>



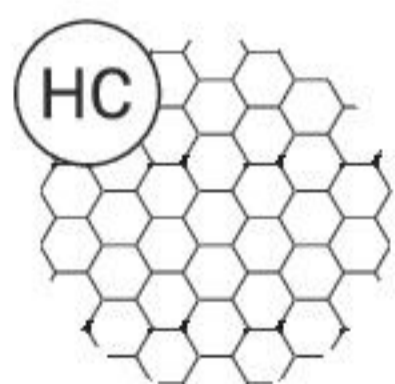
White	<b>80057</b>
Black	<b>80058</b>

Efficiency - CRI 80

White	<b>90568</b>	2700 K	490 lm	<b>M</b>	Spot	<b>15</b>
Black	<b>90569</b>	3000 K	490 lm	<b>W</b>	Medium Flood	<b>30</b>
		4000 K	529 lm	<b>N</b>	Flood	<b>45</b>

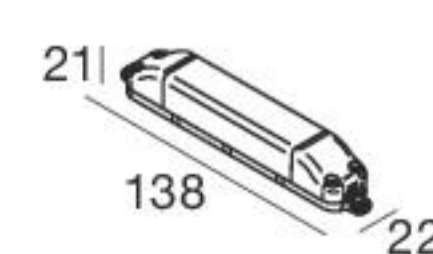


White	<b>80055</b>
Black	<b>80056</b>

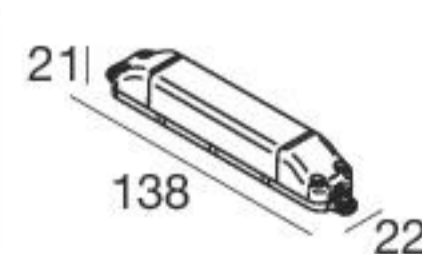


The power supply requires a larger hole than the one indicated for the spotlight

Electronics

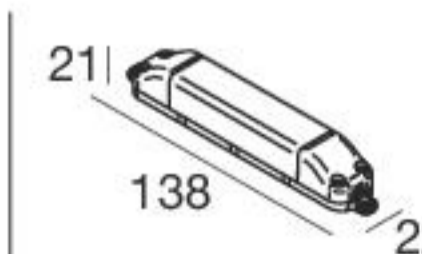


**89145**  
ON/OFF  
1 art.



**99708**  
0/1-10V converter  
1 art.

+ driver CV 24V  
981



**99711**  
DALI converter  
1 art.

+ driver CV 24V  
981

