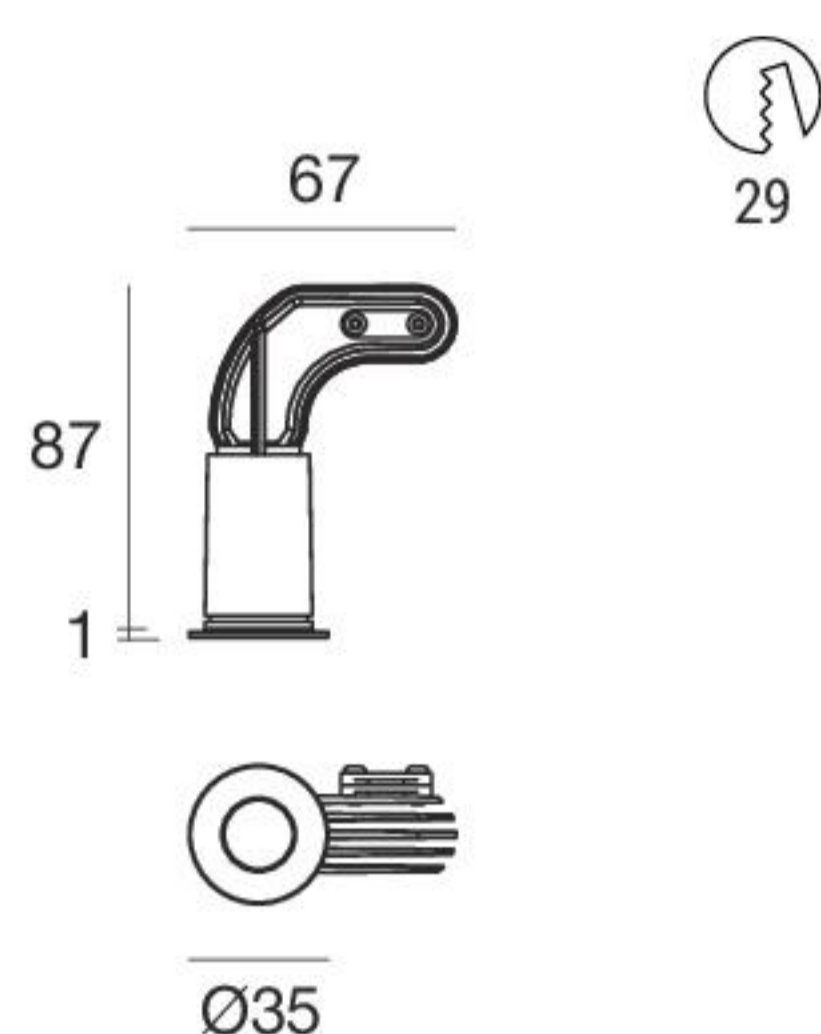


Quantum_R | Downlight | powerLED 4 W 350 mA



Balance - CRI 92

White	80017	2700 K	395 lm	M	Spot	15
Black	80018	3000 K	423 lm	W	Medium Flood	30
		4000 K	456 lm	N	Flood	45



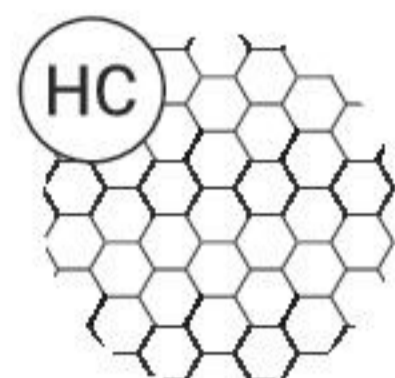
White	80021
Black	80022

Efficiency - CRI 80

White	90558	2700 K	490 lm	M	Spot	15
Black	90559	3000 K	490 lm	W	Medium Flood	30
		4000 K	529 lm	N	Flood	45

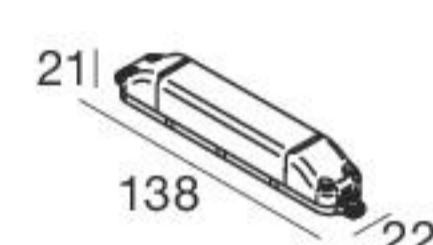


White	80019
Black	80020

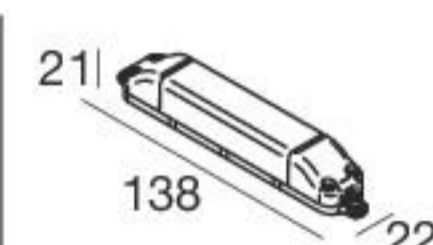


The power supply requires a larger hole than the one indicated for the spotlight

Electronics

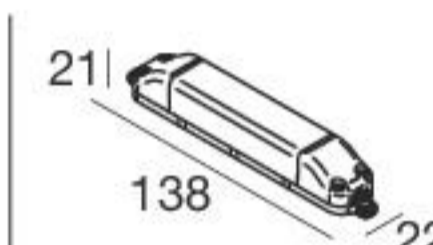


89145
ON/OFF
1 art.



99708
0/1-10V converter
1 art.

+ driver CV 24V

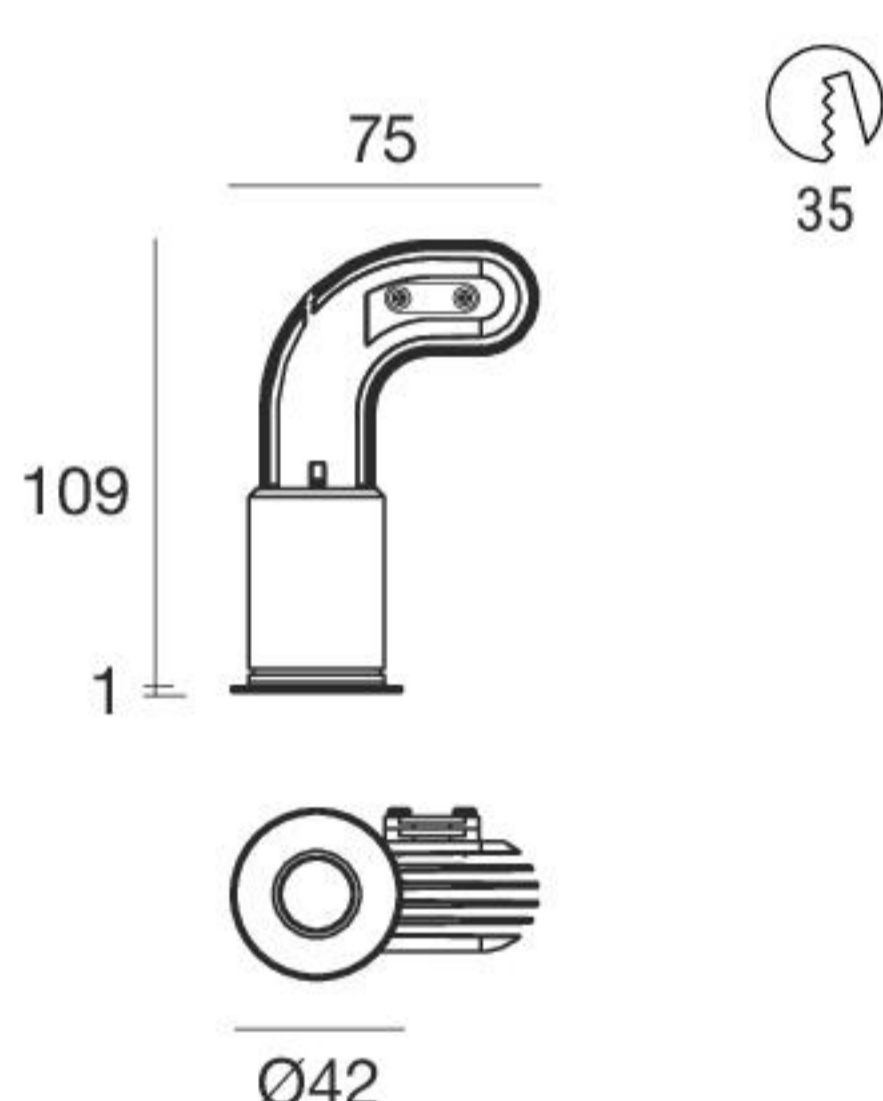


99711
DALI converter
1 art.

+ driver CV 24V



Quantum_R | Downlight | powerLED 6 W 500 mA



Balance - CRI 92

White	80023	2700 K	532 lm	M	Spot	15
Black	80024	3000 K	569 lm	W	Medium Flood	30
		4000 K	614 lm	N	Flood	45



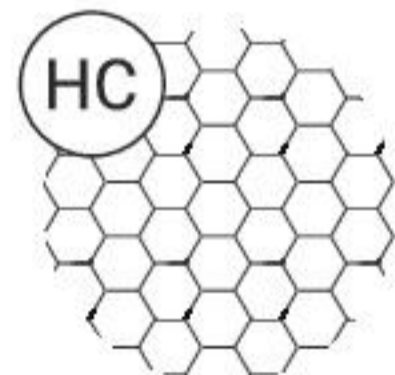
White	80027
Black	80028

Efficiency - CRI 80

White	90560	2700 K	659 lm	M	Spot	15
Black	90561	3000 K	659 lm	W	Medium Flood	30
		4000 K	711 lm	N	Flood	45



White	80025
Black	80026



RTG 90560W15
90560W30
90560W45

Electronics



99377
ON/OFF
1 art.



99714
0/1-10V
1 art.



99715
DALI
1 art.