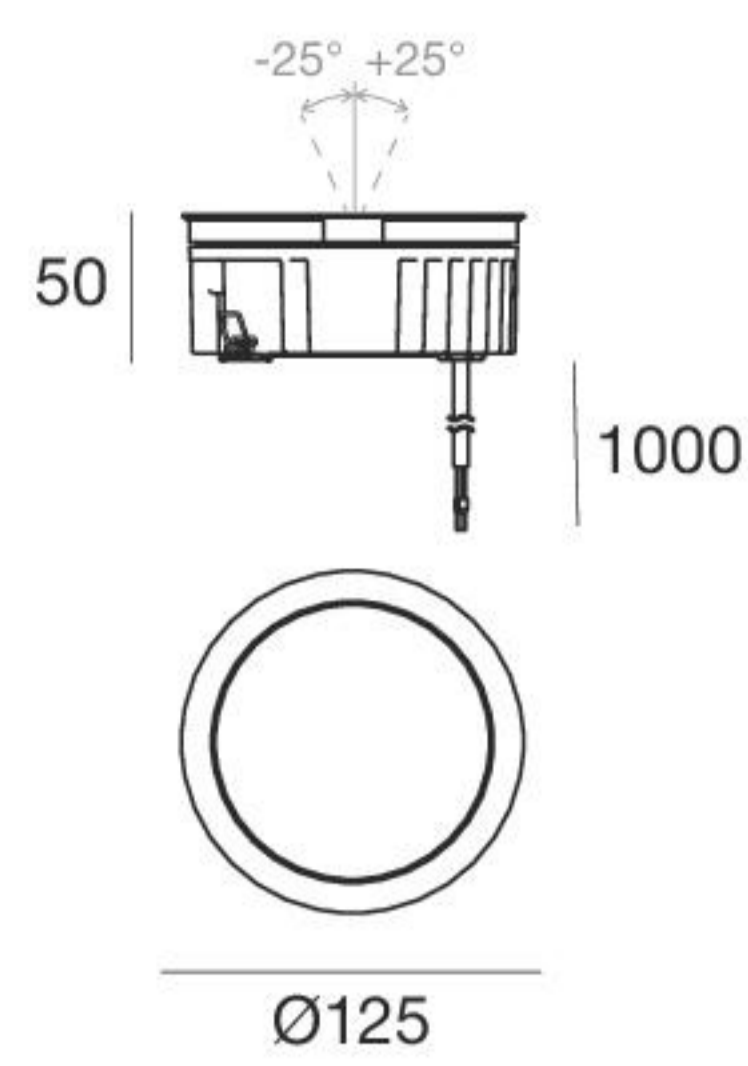
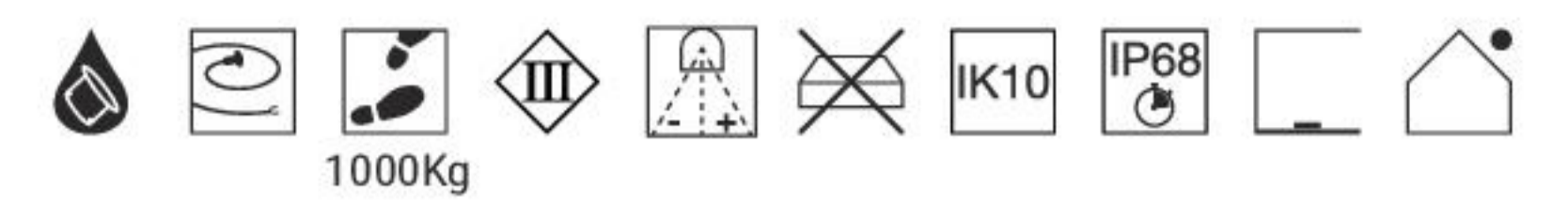


Orma_FJ | Up-Light | arrayLED 13 W



C.V. version with converter integrated in the lamp body

C.C. - 350 mA

Steel Alu 81209	2700K	1724 lm	M	Spot	15
	3000K	1724 lm	W	Medium Flood	30
	4000K	1854 lm	N	Flood	60

Electronics

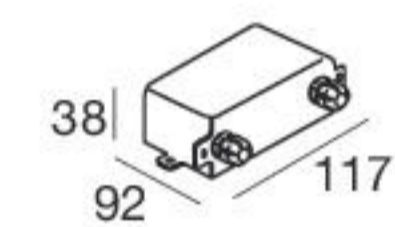


99183
ON/OFF
1 art.

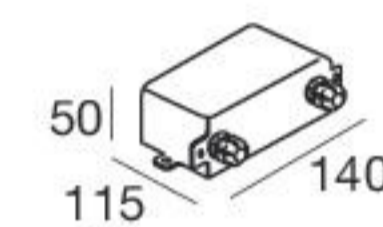
C.V. - 24 V

Steel Alu 81210	2700K	1724 lm	M	Spot	15
	3000K	1724 lm	W	Medium Flood	30
	4000K	1854 lm	N	Flood	60

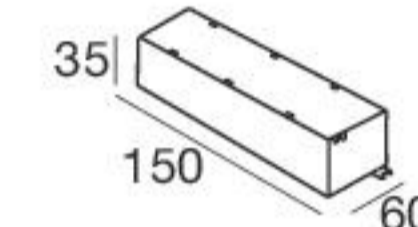
Electronics



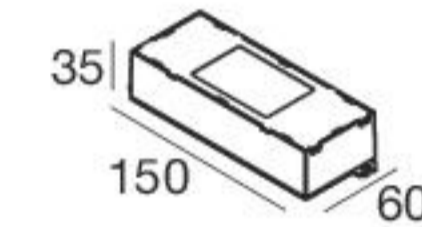
89179
ON/OFF
1 art.



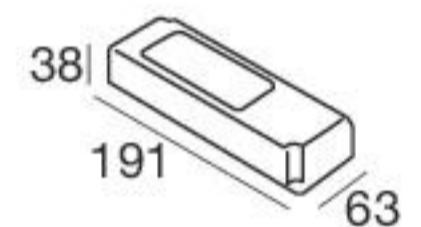
89359
ON/OFF
1 - 3 art.



99331
ON/OFF
1 - 11 art.

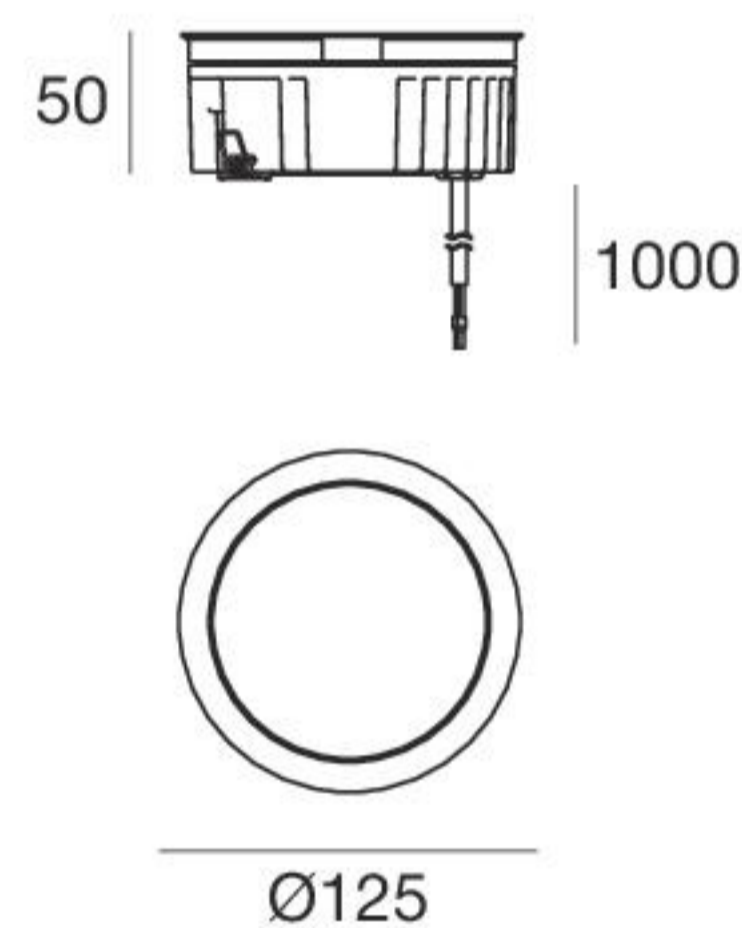


99332
0/1-10V
1 - 11 art.



99722
DALI
1 - 9 art.

Orma_FL | Path-Marker | powerLED 4 W



C.V. version with converter integrated in the lamp body

C.C. - 350 mA

Steel Alu 81221	2700K	490 lm	M	General	00
	3000K	490 lm	W		
	4000K	529 lm	N		

Electronics



89421
ON/OFF
1 art.



99183
ON/OFF
2 - 3 art.

C.V. - 24 V

Steel Alu 81222	2700K	490 lm	M	General	00
	3000K	490 lm	W		
	4000K	529 lm	N		

Electronics



89488
ON/OFF
1 - 3 art.



89179
ON/OFF
1 - 6 art.



89359
ON/OFF
1 - 12 art.



99332
0/1-10V
1 - 37 art.



99722
DALI
1 - 30 art.

Recessed casings



99652
Outer casing for ground-mounting installation



99564
Outer casing with drilled flange, anti-vandalism screws, gasket and mounting tool