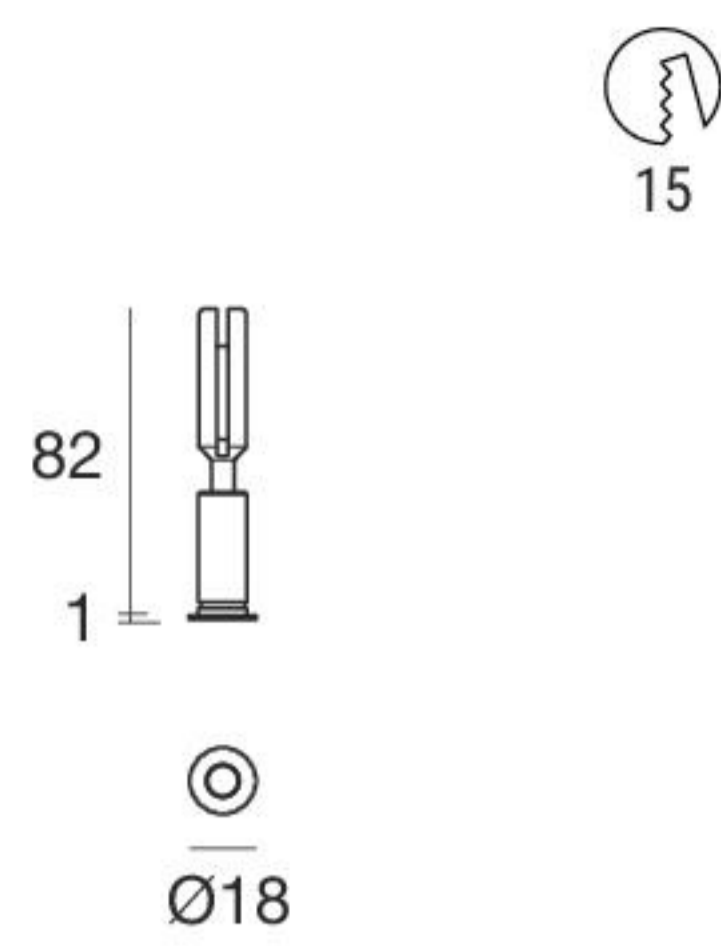


Quantum_R | Downlight | powerLED 1,5 W 500 mA



15

Balance - CRI 92

White	80009	2700 K	134 lm	M	Medium Flood	20
Black	80010	3000 K	153 lm	W	Medium Flood	35

Efficiency - CRI 80

White	90554	2700 K	187 lm	M	Medium Flood	20
Black	90555	3000 K	199 lm	W	Medium Flood	35
		4000 K	213 lm	N		

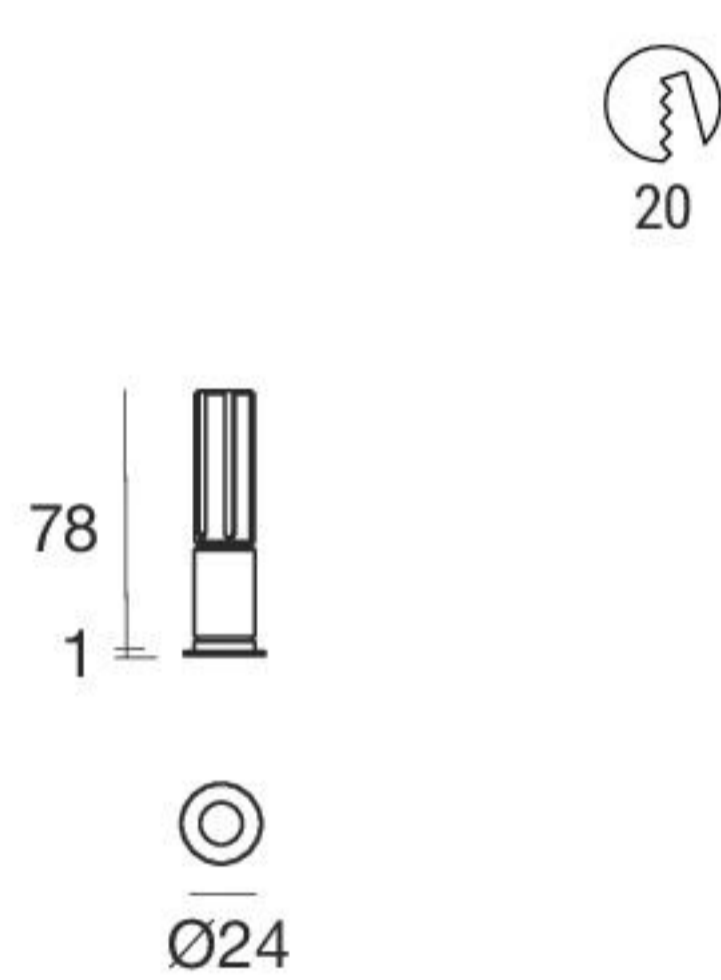


The power supply requires a larger hole than the one indicated for the spotlight

Electronics

<p>99195 ON/OFF 1 - 2 art.</p>	<p>99709 0/1-10V converter 1 art.</p>	<p>+ driver CV 24V</p> <p>981</p>	<p>99712 DALI converter 1 art.</p>	<p>+ driver CV 24V</p> <p>981</p>
---	--	-----------------------------------	---	-----------------------------------

Quantum_R | Downlight | powerLED 2 W 630 mA



20

Balance - CRI 92

White	80011	2700 K	157 lm	M	Spot	15
Black	80012	3000 K	179 lm	W	Medium Flood	30
					Flood	45

Efficiency - CRI 80

White	90556	2700 K	219 lm	M	Spot	15
Black	90557	3000 K	233 lm	W	Medium Flood	30
		4000 K	249 lm	N	Flood	45



RTG 90556W15
90556W30
90556W45



The power supply requires a larger hole than the one indicated for the spotlight

Electronics

<p>89147 ON/OFF 1 - 2 art.</p>	<p>99710 0/1-10V converter 1 art.</p>	<p>+ driver CV 24V</p> <p>981</p>	<p>99713 DALI converter 1 art.</p>	<p>+ driver CV 24V</p> <p>981</p>
---	--	-----------------------------------	---	-----------------------------------