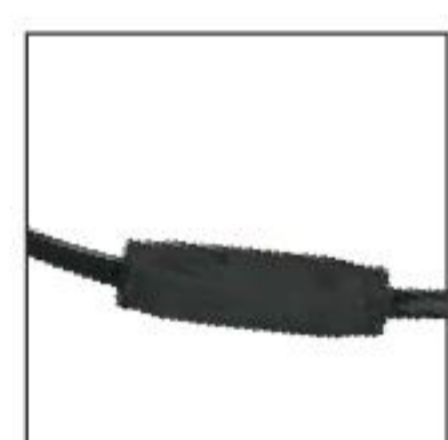
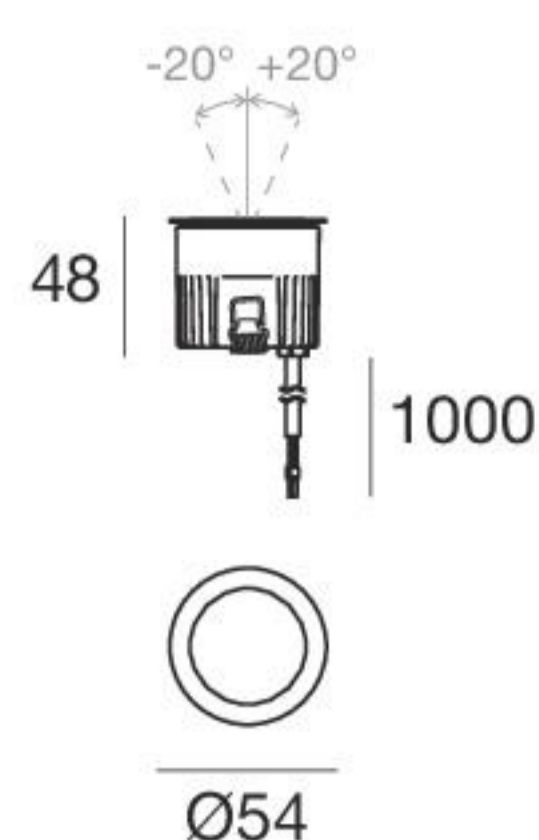


Orma_FJ | Up-Light | powerLED 4 W



C.V. version with converter integrated in the cable

C.C. - 350 mA

Steel Alu 81205	2700K	490 lm	M	Spot	15
	3000K	490 lm	W	Medium Flood	30
	4000K	529 lm	N	Flood	60

Electronics



89421
ON/OFF
1 art.

99183
ON/OFF
2 - 3 art.

C.V. - 24 V

Steel Alu 81206	2700K	490 lm	M	Spot	15
	3000K	490 lm	W	Medium Flood	30
	4000K	529 lm	N	Flood	60

Electronics



89488
ON/OFF
1 - 3 art.

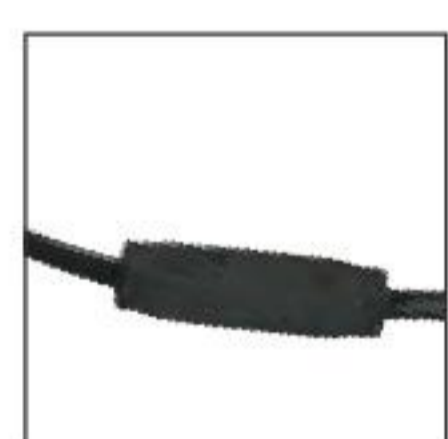
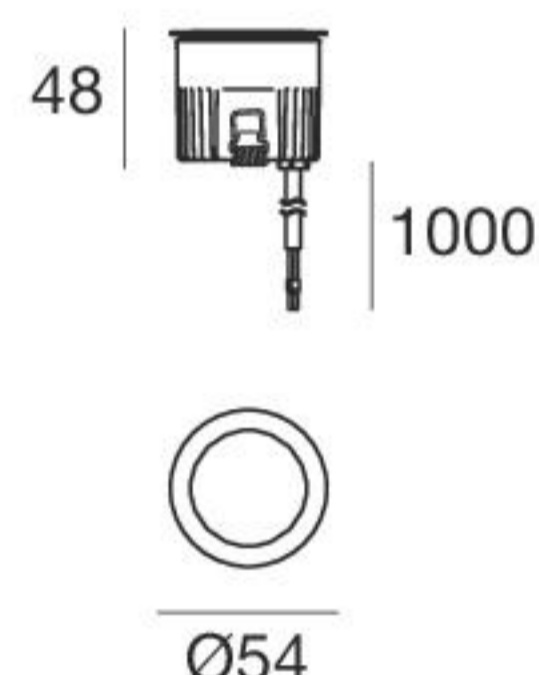
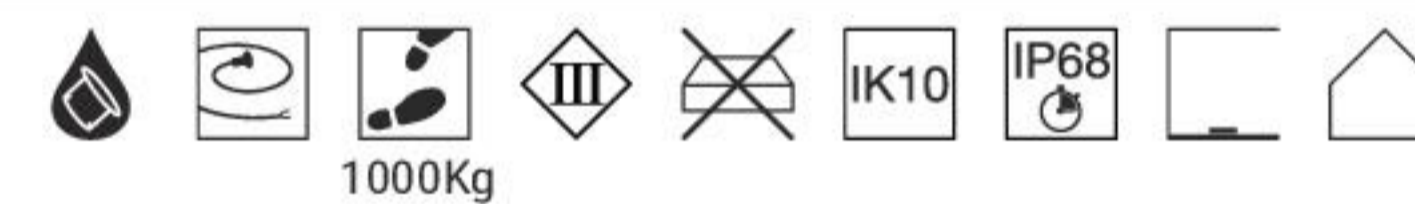
89179
ON/OFF
1 - 6 art.

89359
ON/OFF
1 - 12 art.

99332
0/1-10V
1 - 37 art.

99722
DALI
1 - 30 art.

Orma_FL | Path-Marker | powerLED 1 W



C.V. version with converter integrated in the cable

C.C. - 350 mA

Steel Alu 81217	2700K	136 lm	M	General	00
	3000K	145 lm	W		
	4000K	155 lm	N		

Electronics



89419
ON/OFF
1 - 2 art.

89421
ON/OFF
3 - 6 art.

99183
ON/OFF
6 - 12 art.

C.V. - 24 V

Steel Alu 81218	2700K	136 lm	M	General	00
	3000K	145 lm	W		
	4000K	155 lm	N		

Electronics



89488
ON/OFF
1 - 14 art.

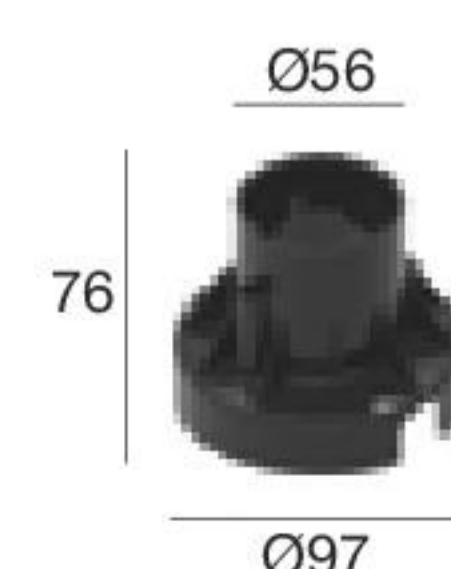
89179
ON/OFF
1 - 24 art.

89359
ON/OFF
1 - 48 art.

99332
0/1-10V
1 - 150 art.

99722
DALI
1 - 120 art.

Recessed casings



99650
Outer casing for ground-mounting installation



99560
Outer casing with drilled flange, anti-vandalism screws, gasket and mounting tool