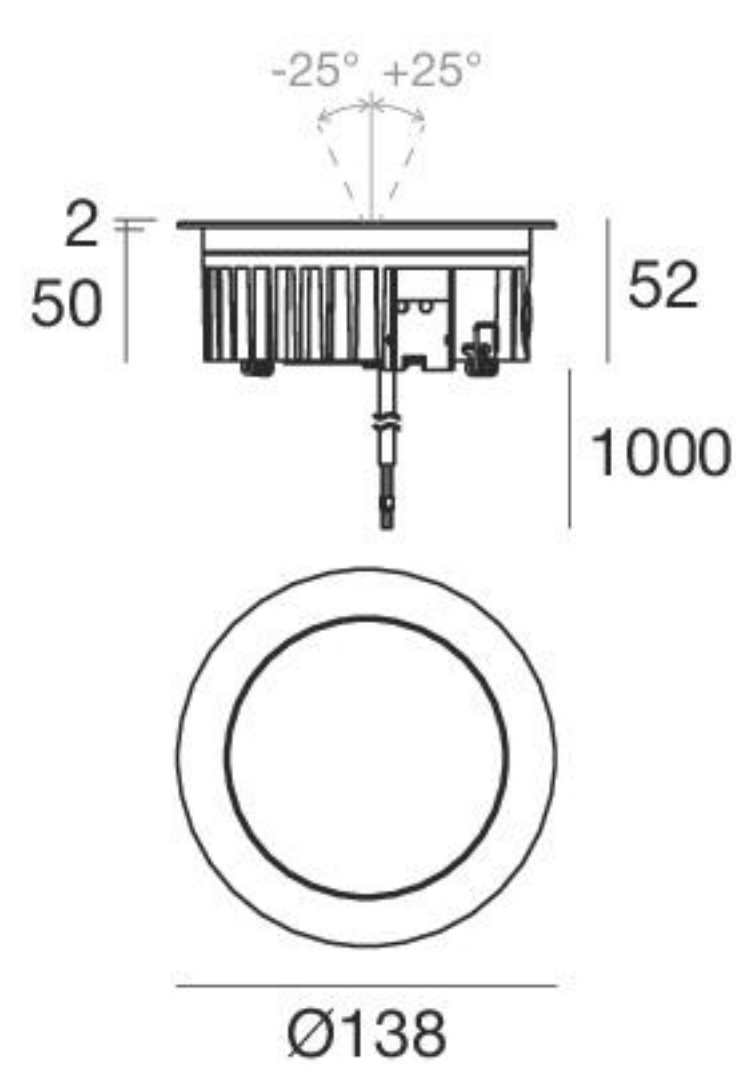


Orma\_J | Up-Light | arrayLED 13 W



C.V. version with converter integrated in the lamp body

C.C. - 350 mA

<b>Steel Alu 81203</b>	2700K	1724 lm	<b>M</b>	Spot	<b>15</b>
	3000K	1724 lm	<b>W</b>	Medium Flood	<b>30</b>
	4000K	1854 lm	<b>N</b>	Flood	<b>60</b>

Electronics

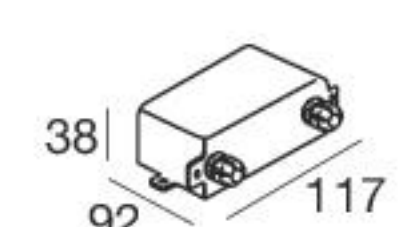


**99183**  
ON/OFF  
1 art.

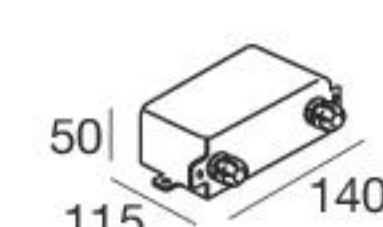
C.V. - 24 V

<b>Steel Alu 81204</b>	2700K	1724 lm	<b>M</b>	Spot	<b>15</b>
	3000K	1724 lm	<b>W</b>	Medium Flood	<b>30</b>
	4000K	1854 lm	<b>N</b>	Flood	<b>60</b>

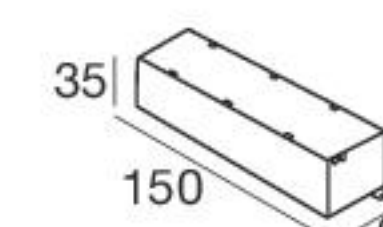
Electronics



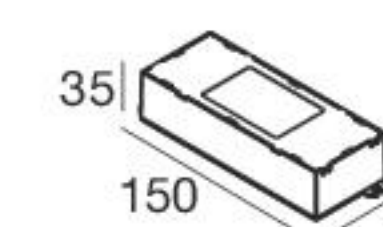
**89179**  
ON/OFF  
1 art.



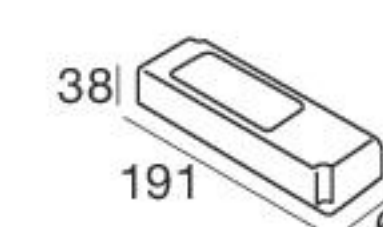
**89359**  
ON/OFF  
1 - 3 art.



**99331**  
ON/OFF  
1 - 11 art.

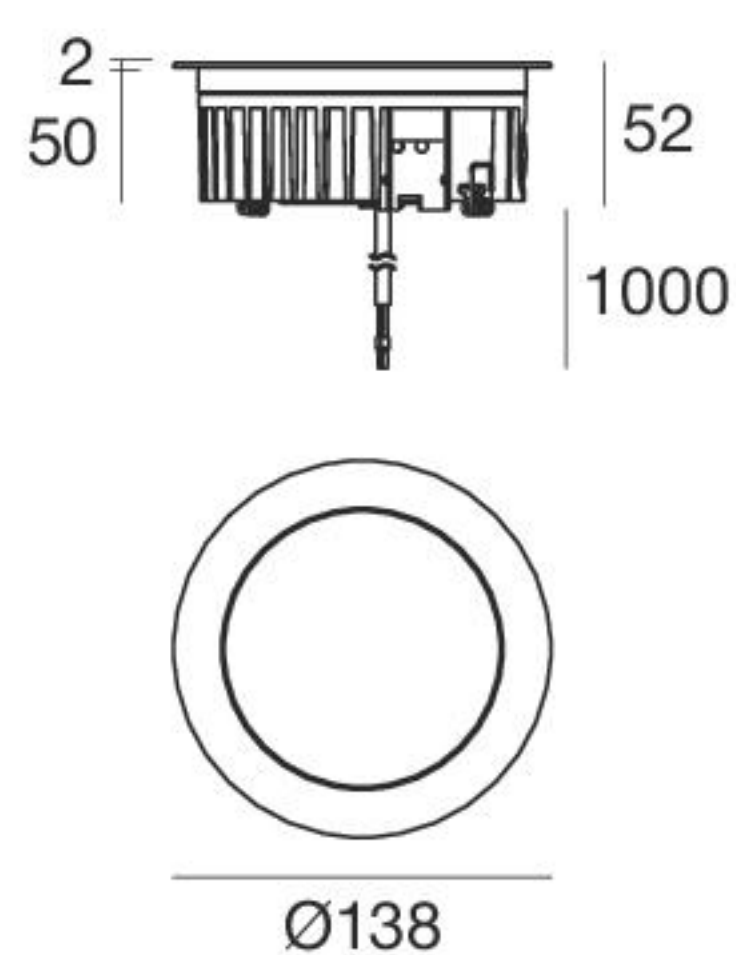
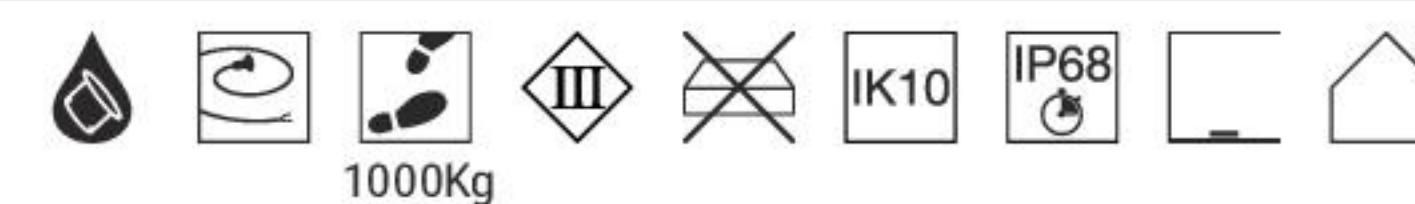


**99332**  
0/1-10V  
1 - 11 art.



**99722**  
DALI  
1 - 9 art.

Orma\_L | Path-Marker | powerLED 4 W



C.V. version with converter integrated in the lamp body

C.C. - 350 mA

<b>Steel Alu 81215</b>	2700K	490 lm	<b>M</b>	General	<b>00</b>
	3000K	490 lm	<b>W</b>		
	4000K	529 lm	<b>N</b>		

Electronics



**89421**  
ON/OFF  
1 art.



**99183**  
ON/OFF  
2 - 3 art.

C.V. - 24 V

<b>Steel Alu 81216</b>	2700K	490 lm	<b>M</b>	General	<b>00</b>
	3000K	490 lm	<b>W</b>		
	4000K	529 lm	<b>N</b>		

Electronics



**89488**  
ON/OFF  
1 - 3 art.



**89179**  
ON/OFF  
1 - 6 art.



**89359**  
ON/OFF  
1 - 12 art.



**99332**  
0/1-10V  
1 - 37 art.



**99722**  
DALI  
1 - 30 art.

Recessed casings



**99652**  
Outer casing for ground-mounting installation