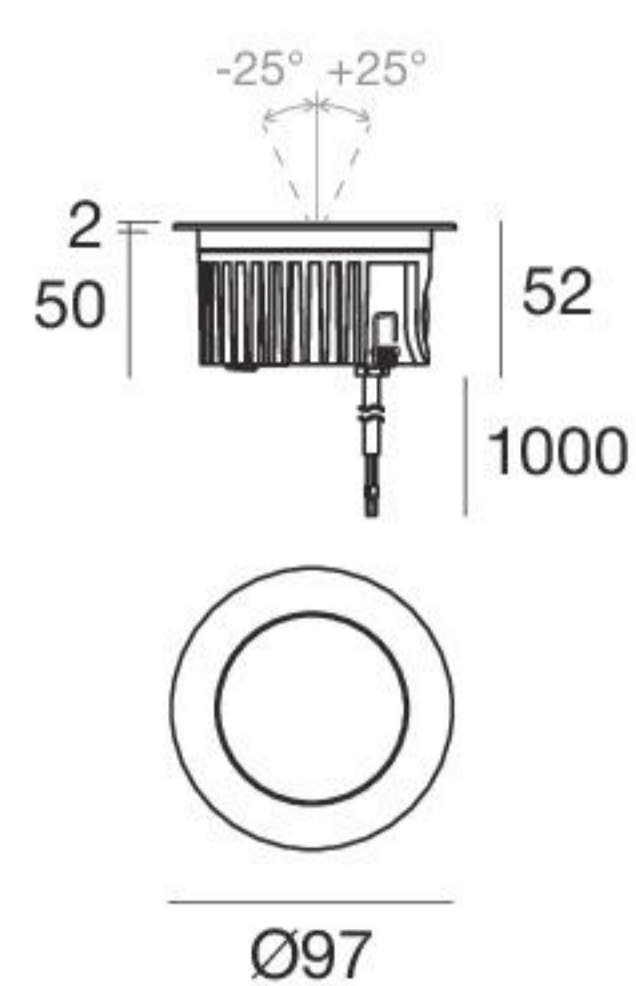
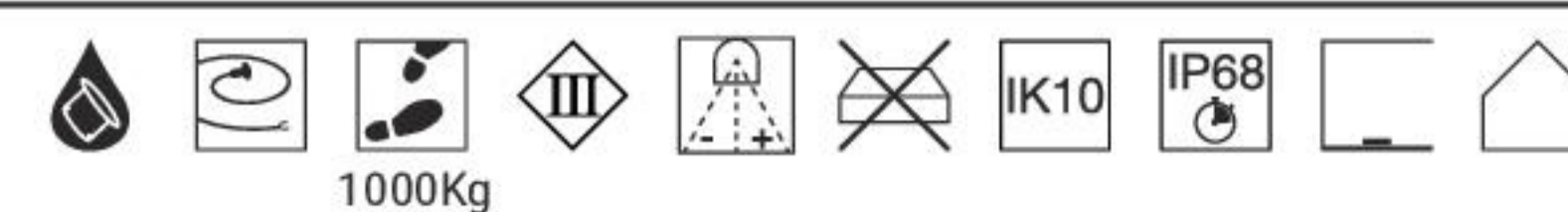


Orma_J | Up-Light | arrayLED 8 W



C.V. version with converter integrated in the lamp body

C.C. - 220 mA

Steel/Alu	81201	2700K	1088 lm	M	Spot	15
		3000K	1088 lm	W	Medium Flood	30
		4000K	1173 lm	N	Flood	60

Electronics

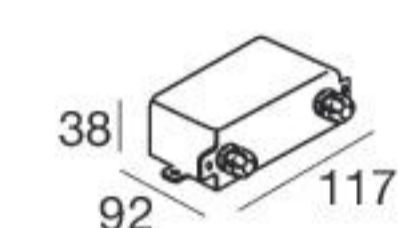


99342
ON/OFF
1 art.

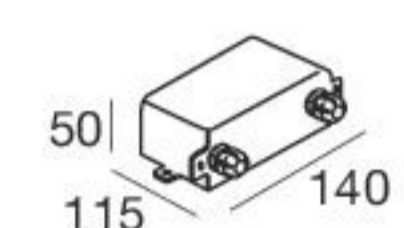
C.V. - 24 V

Steel/Alu	81202	2700K	1209 lm	M	Spot	15
		3000K	1209 lm	W	Medium Flood	30
		4000K	1303 lm	N	Flood	60

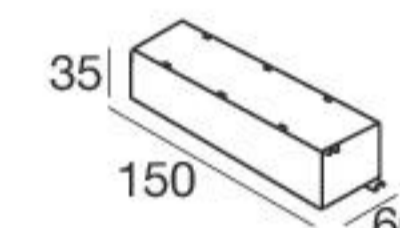
Electronics



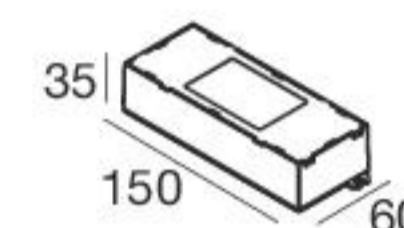
89179
ON/OFF
1 - 3 art.



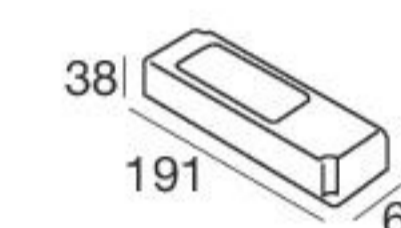
89359
ON/OFF
1 - 6 art.



99331
ON/OFF
1 - 18 art.

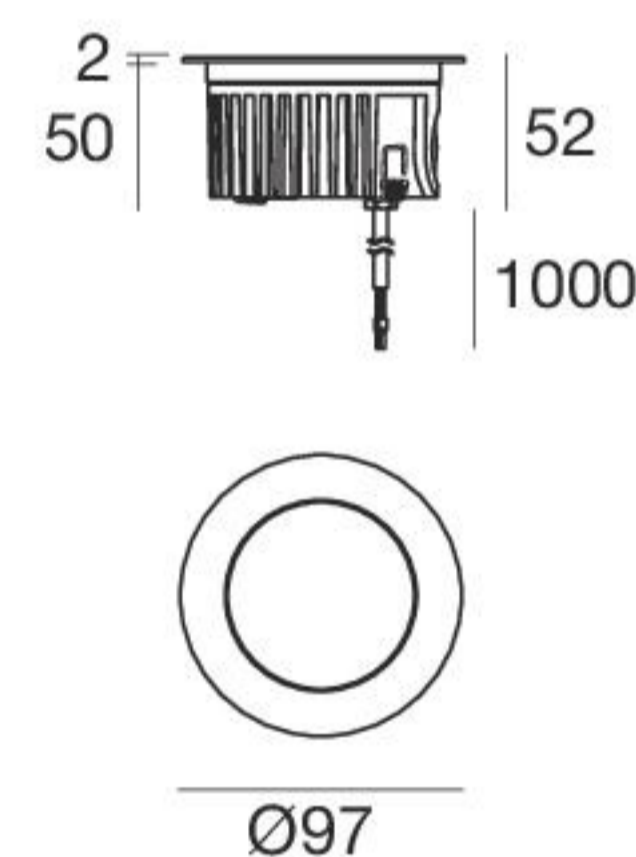
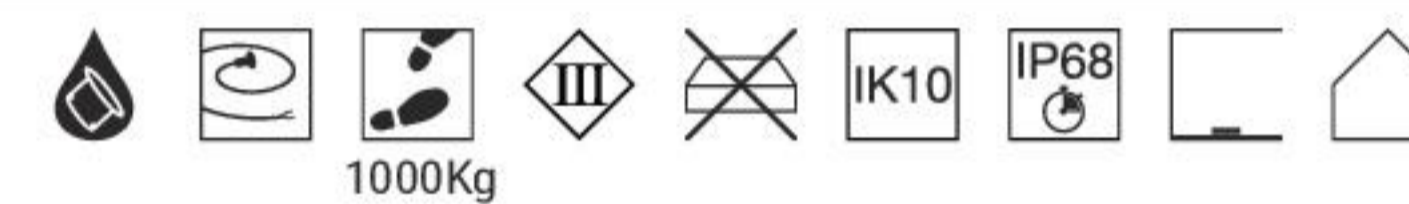


99332
0/1-10V
1 - 18 art.



99722
DALI
1 - 15 art.

Orma_L | Path-Marker | powerLED 2 W

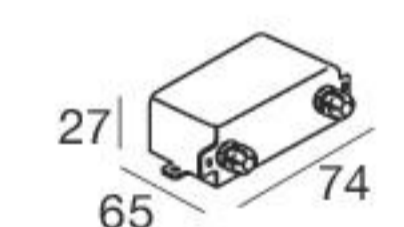


C.V. version with converter integrated in the lamp body

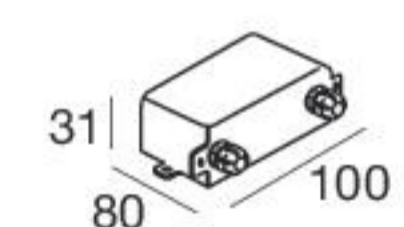
C.C. - 630 mA

Steel/Alu	81213	2700K	249 lm	M	General	00
		3000K	266 lm	W		
		4000K	284 lm	N		

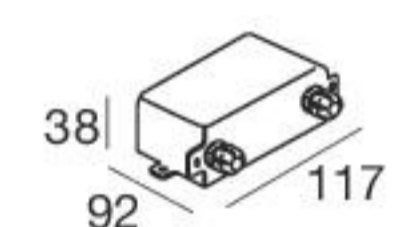
Electronics



89420
ON/OFF
1 - 2 art.



99179
ON/OFF
3 - 6 art.



99186
ON/OFF
6 - 12 art.

C.V. - 24 V

Steel/Alu	81214	2700K	249 lm	M	General	00
		3000K	266 lm	W		
		4000K	284 lm	N		

Electronics



89488
ON/OFF
1 - 14 art.



89179
ON/OFF
1 - 24 art.



89359
ON/OFF
1 - 48 art.

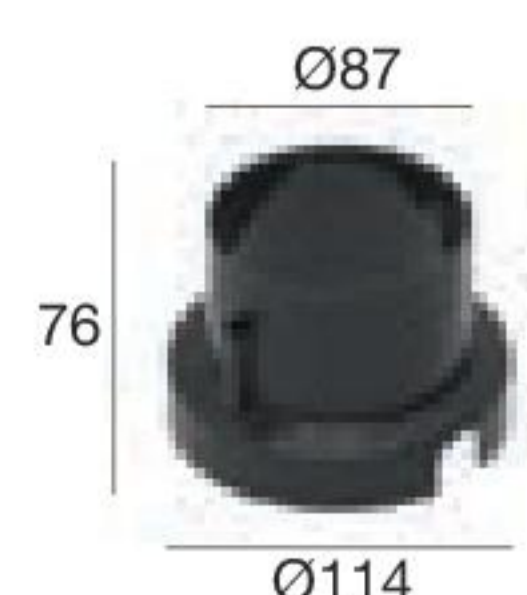


99332
0/1-10V
1 - 150 art.



99722
DALI
1 - 120 art.

Recessed casings



99651
Outer casing for ground-mounting installation