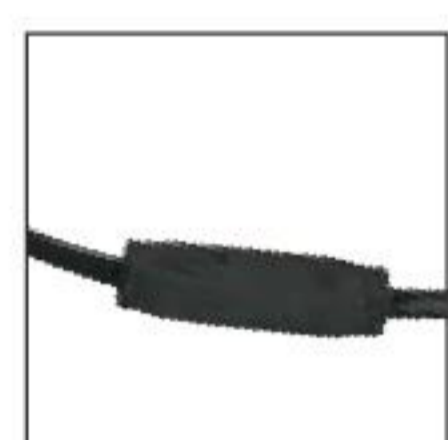
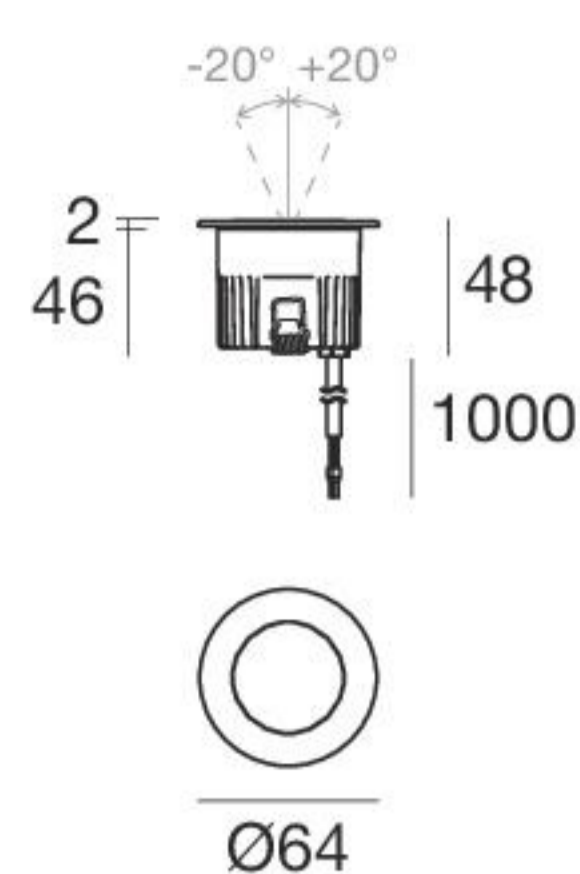
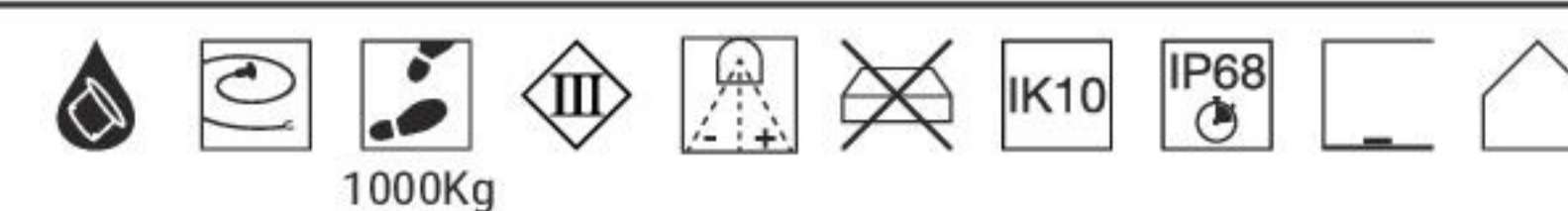


Orma_J | Up-Light | powerLED 4 W



C.V. version with converter integrated in the cable

C.C. - 350 mA

Steel/Alu	81199	2700K	490 lm	M	Spot	15
		3000K	490 lm	W	Medium Flood	30
		4000K	529 lm	N	Flood	60

Electronics

89421 ON/OFF 1 art.	99183 ON/OFF 2 - 3 art.

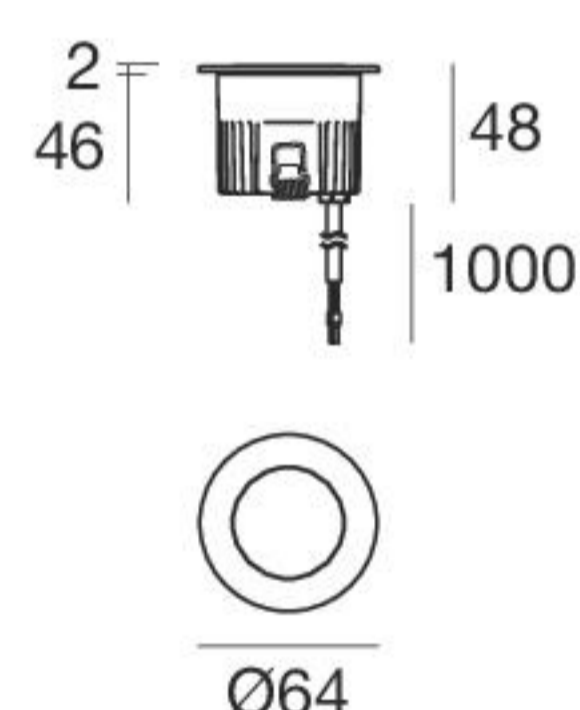
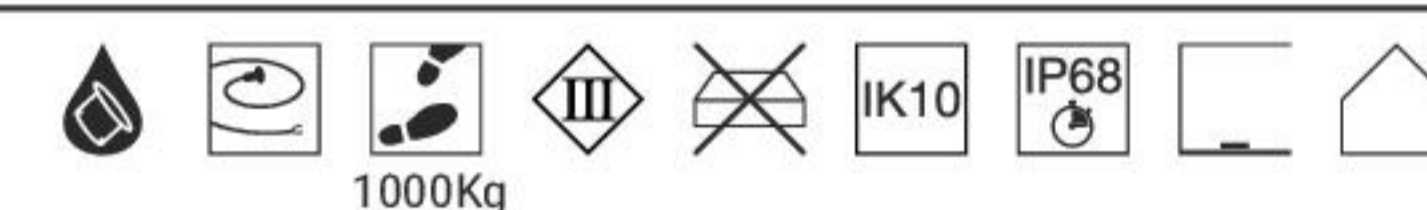
C.V. - 24 V

Steel/Alu	81200	2700K	490 lm	M	Spot	15
		3000K	490 lm	W	Medium Flood	30
		4000K	529 lm	N	Flood	60

Electronics

89488 ON/OFF 1 - 3 art.	89179 ON/OFF 1 - 6 art.	89359 ON/OFF 1 - 12 art.	99332 0/1-10V 1 - 37 art.	99722 DALI 1 - 30 art.

Orma_L | Path-Marker | powerLED 1 W



C.V. version with converter integrated in the cable

C.C. - 350 mA

Steel/Alu	81211	2700K	136 lm	M	General	00
		3000K	145 lm	W		
		4000K	155 lm	N		

Electronics

89419 ON/OFF 1 - 2 art.	89421 ON/OFF 3 - 6 art.	99183 ON/OFF 6 - 12 art.

C.V. - 24 V

Steel/Alu	81212	2700K	136 lm	M	General	00
		3000K	145 lm	W		
		4000K	155 lm	N		

Electronics

89488 ON/OFF 1 - 14 art.	89179 ON/OFF 1 - 24 art.	89359 ON/OFF 1 - 48 art.	99332 0/1-10V 1 - 150 art.	99722 DALI 1 - 120 art.

Recessed casings

	99650 Outer casing for ground-mounting installation
Ø56 76 Ø97	