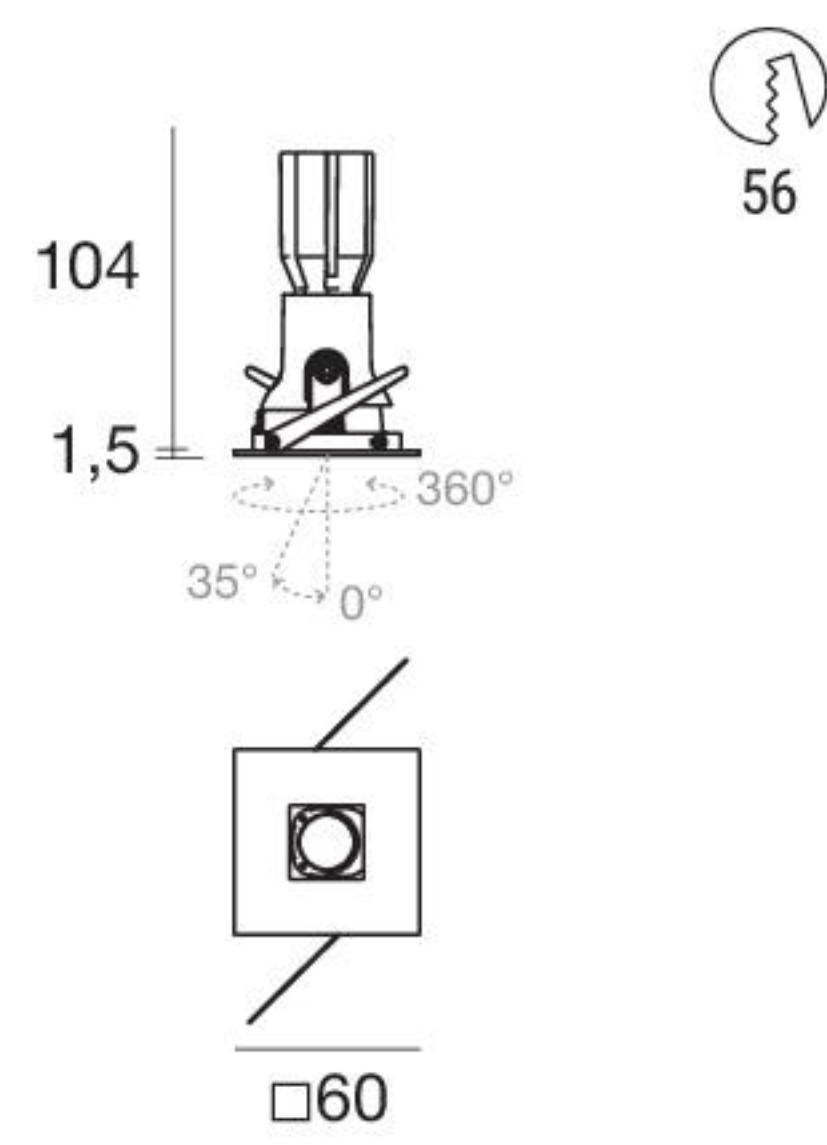


Vos\_QJ | Downlight | powerLED 4 W 350 mA



56

Balance - CRI 92

White	<b>81270</b>	2700 K	395 lm	<b>M</b>	Spot	<b>15</b>
Black	<b>81271</b>	3000 K	423 lm	<b>W</b>	Medium Flood	<b>30</b>
		4000 K	456 lm	<b>N</b>	Flood	<b>60</b>

HC

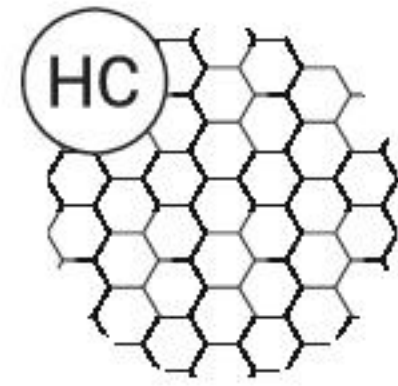
White	<b>80478</b>
Black	<b>80479</b>

Efficiency - CRI 80

White	<b>81272</b>	2700 K	490 lm	<b>M</b>	Spot	<b>15</b>
Black	<b>81273</b>	3000 K	490 lm	<b>W</b>	Medium Flood	<b>30</b>
		4000 K	529 lm	<b>N</b>	Flood	<b>60</b>

HC

White	<b>80476</b>
Black	<b>80477</b>

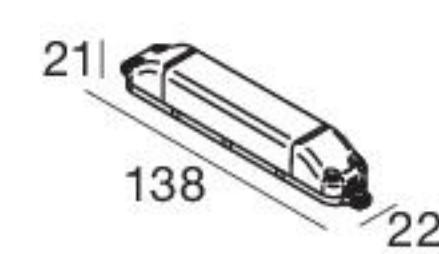


Built-in honeycomb filter

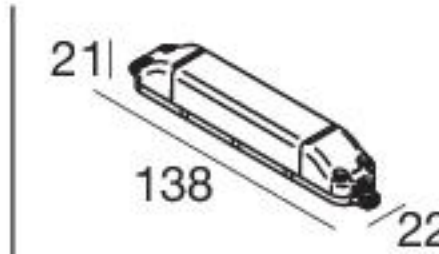


The power supply requires a larger hole than the one indicated for the spotlight

Electronics

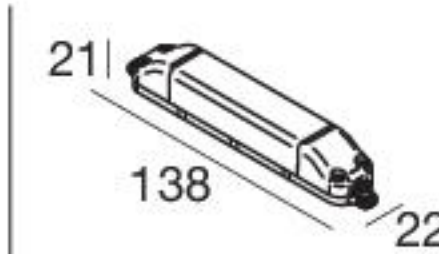


**89145**  
ON/OFF  
1 art.



**99708**  
0/1-10V converter  
1 art.

+ driver CV 24V  
981

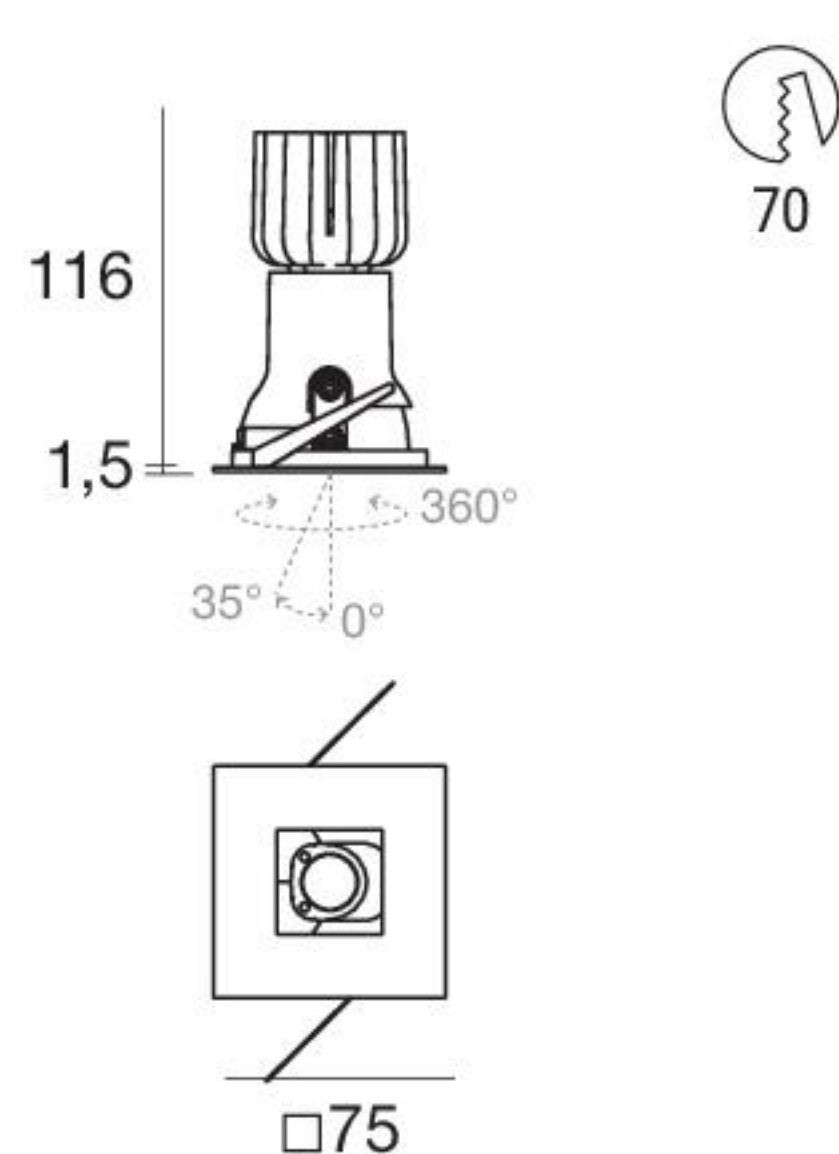


**99711**  
DALI converter  
1 art.

+ driver CV 24V  
981



Vos\_QJ | Downlight | powerLED 8 W 700 mA



70

Balance - CRI 92

White	<b>81278</b>	2700 K	689 lm	<b>M</b>	Spot	<b>15</b>
Black	<b>81279</b>	3000 K	738 lm	<b>W</b>	Medium Flood	<b>30</b>
		4000 K	796 lm	<b>N</b>	Flood	<b>45</b>

HC

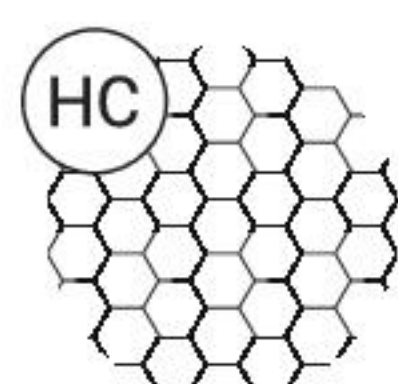
White	<b>80490</b>
Black	<b>80491</b>

Efficiency - CRI 80

White	<b>81280</b>	2700 K	854 lm	<b>M</b>	Spot	<b>15</b>
Black	<b>81281</b>	3000 K	854 lm	<b>W</b>	Medium Flood	<b>30</b>
		4000 K	922 lm	<b>N</b>	Flood	<b>45</b>

HC

White	<b>80488</b>
Black	<b>80489</b>



Built-in honeycomb filter

Electronics



**99735**  
ON/OFF  
1 art.



**99733**  
0/1-10V  
1 art.



**99731**  
DALI  
1 art.