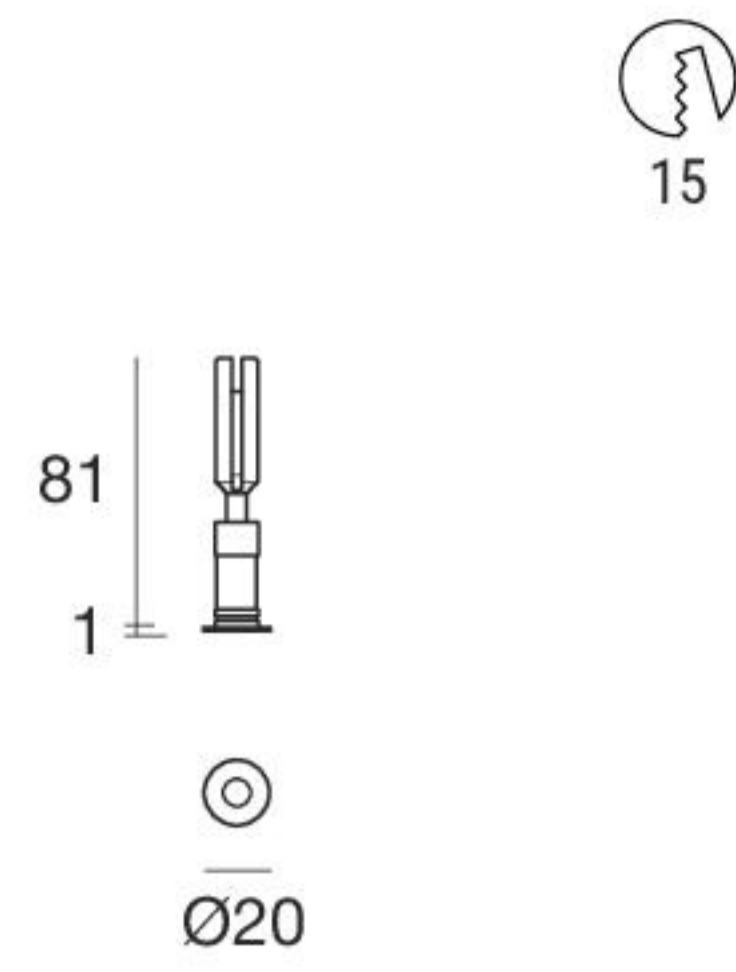


Vos\_R | Downlight | powerLED 1,5 W 500 mA



15

Balance - CRI 92

|       |              |        |        |          |              |           |
|-------|--------------|--------|--------|----------|--------------|-----------|
| White | <b>90622</b> | 2700 K | 134 lm | <b>M</b> | Medium Flood | <b>20</b> |
| Black | <b>90623</b> | 3000 K | 153 lm | <b>W</b> | Medium Flood | <b>35</b> |

Efficiency - CRI 80

|       |              |        |        |          |              |           |
|-------|--------------|--------|--------|----------|--------------|-----------|
| White | <b>90408</b> | 2700 K | 187 lm | <b>M</b> | Medium Flood | <b>20</b> |
| Black | <b>90409</b> | 3000 K | 199 lm | <b>W</b> | Medium Flood | <b>35</b> |
|       |              | 4000 K | 213 lm | <b>N</b> |              |           |



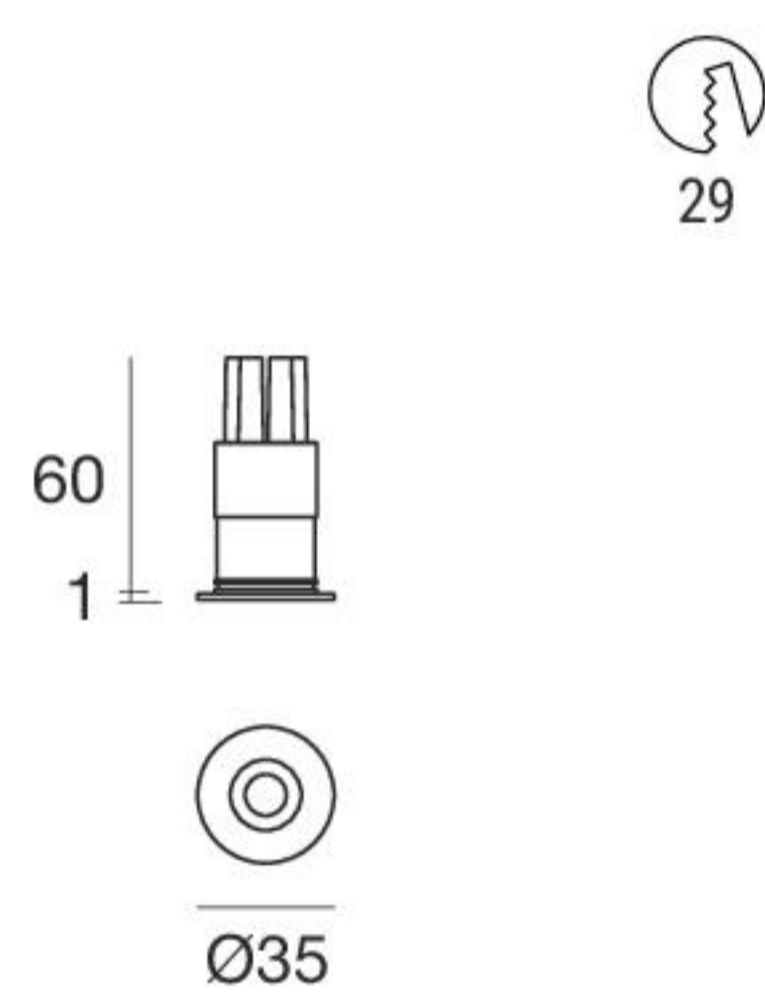
Electronics

|  |   |                     |  |                     |
|--|---|---------------------|--|---------------------|
| <br><b>99195</b><br>ON/OFF<br>1 - 2 art. | <br><b>99709</b><br>0/1-10V converter<br>1 art. | + driver CV 24V<br> | <br><b>99712</b><br>DALI converter<br>1 art. | + driver CV 24V<br> |
|--|---|---------------------|--|---------------------|



The power supply requires a larger hole than the one indicated for the spotlight

Vos\_R | Downlight | powerLED 2 W 630 mA



29

Balance - CRI 92

|       |              |        |        |          |              |           |
|-------|--------------|--------|--------|----------|--------------|-----------|
| White | <b>90626</b> | 2700 K | 157 lm | <b>M</b> | Spot         | <b>15</b> |
| Black | <b>90627</b> | 3000 K | 179 lm | <b>W</b> | Medium Flood | <b>30</b> |
|       |              |        |        |          | Flood        | <b>60</b> |

HC

|       |              |
|-------|--------------|
| White | <b>90634</b> |
| Black | <b>90635</b> |

Efficiency - CRI 80

|       |              |        |        |          |              |           |
|-------|--------------|--------|--------|----------|--------------|-----------|
| White | <b>90412</b> | 2700 K | 219 lm | <b>M</b> | Spot         | <b>15</b> |
| Black | <b>90413</b> | 3000 K | 233 lm | <b>W</b> | Medium Flood | <b>30</b> |
|       |              | 4000 K | 249 lm | <b>N</b> | Flood        | <b>60</b> |

HC

|       |              |
|-------|--------------|
| White | <b>90632</b> |
| Black | <b>90633</b> |

Electronics

|  |   |                     |  |                     |
|--|---|---------------------|--|---------------------|
| <br><b>89147</b><br>ON/OFF<br>1 - 2 art. | <br><b>99710</b><br>0/1-10V converter<br>1 art. | + driver CV 24V<br> | <br><b>99713</b><br>DALI converter<br>1 art. | + driver CV 24V<br> |
|--|---|---------------------|--|---------------------|



The power supply requires a larger hole than the one indicated for the spotlight