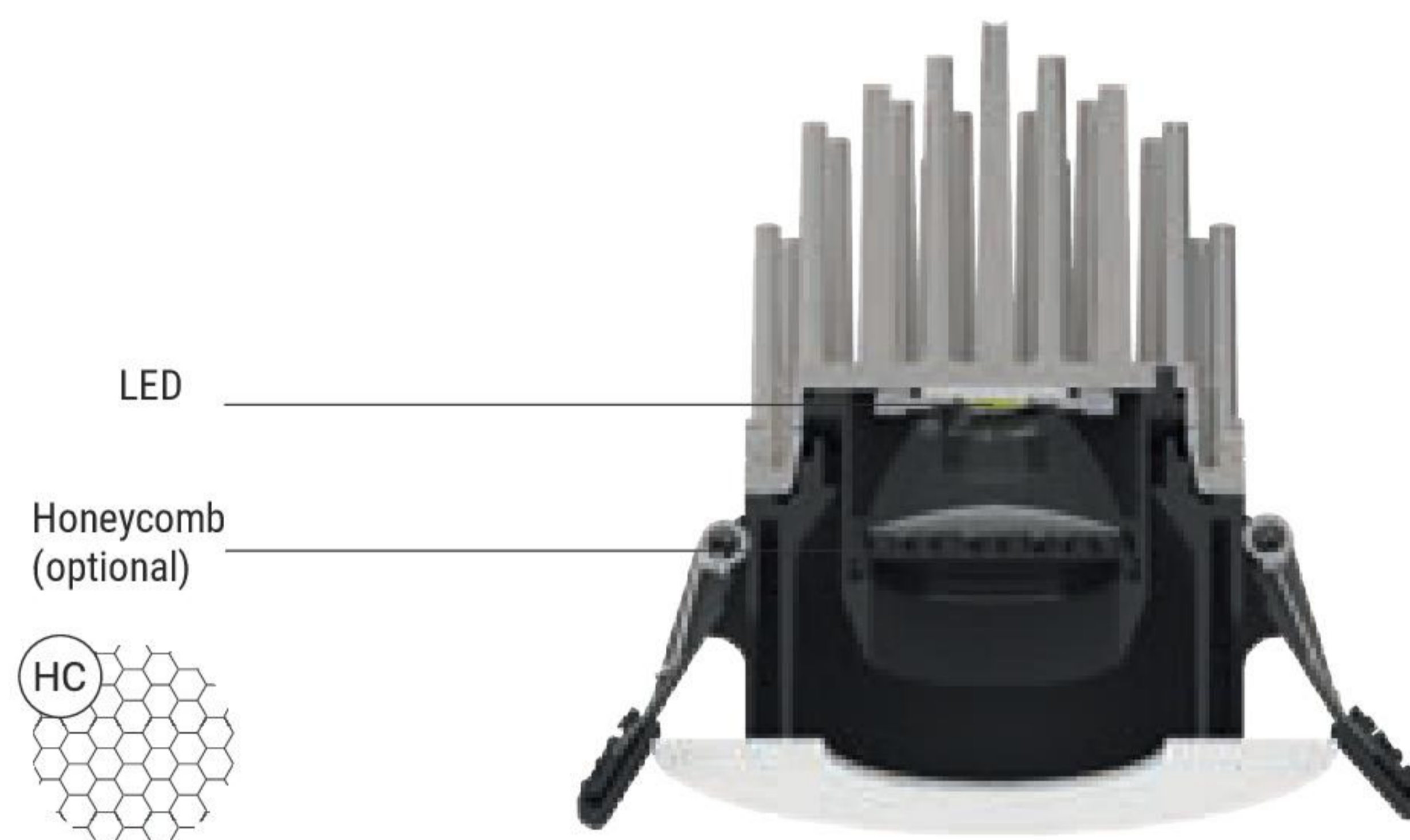


**F.O.L.™**

The optics group consists of a polycarbonate lens combined with F.O.L.™ (Filtering Optical Layers) filters: a 5-filter patented system made of polyethylene terephthalate with different levels of opacity to safeguard the clarity of the light beam and it guarantees optimal optical efficiency.

**HC Visual comfort**

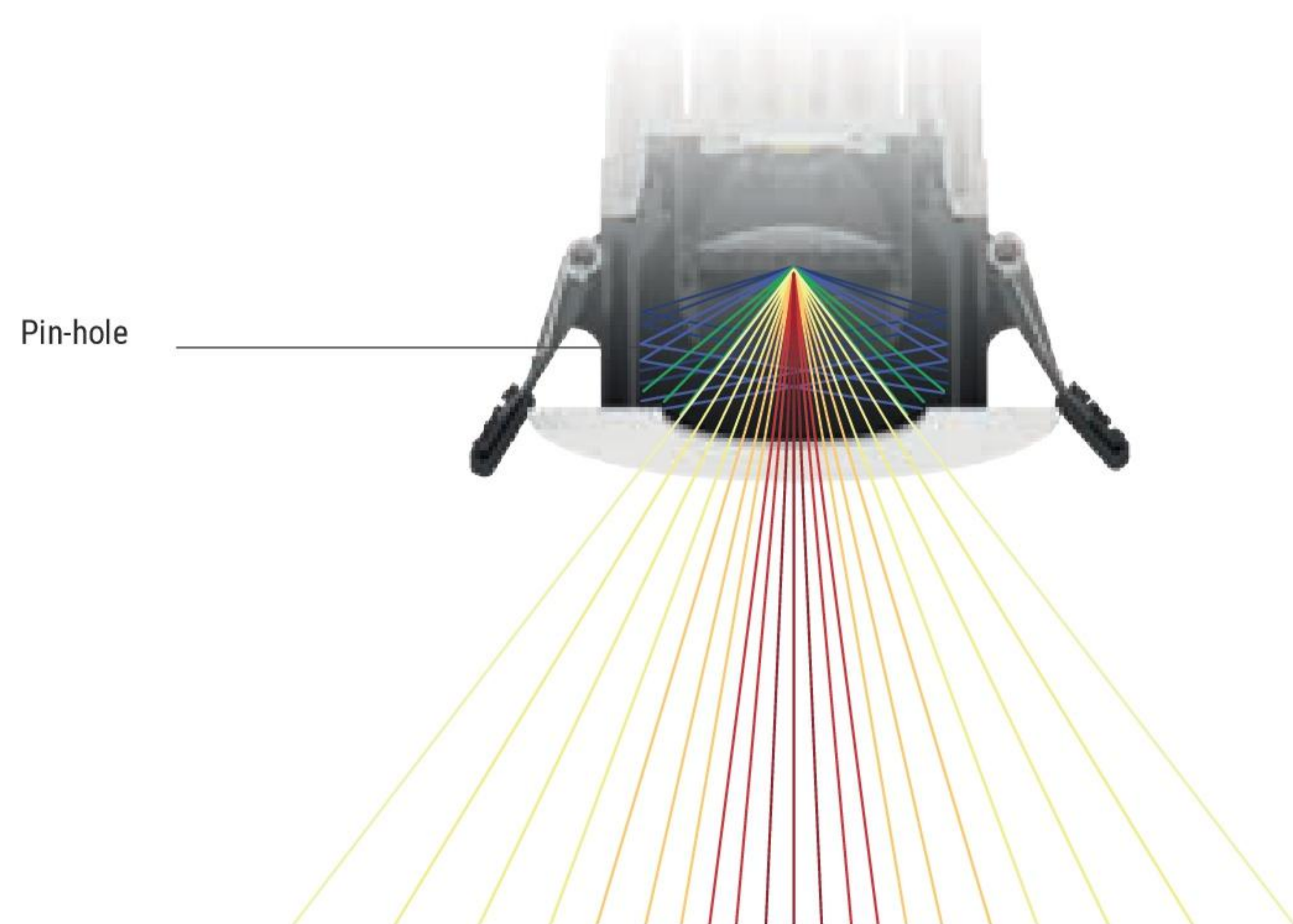
The honeycomb-like filter integrated in the Honeycomb versions allows to shield the source further. The hexagonal microcells forming the grid contribute towards shielding the secondary light beam, thus almost eliminating the glaring altogether.



IP44  
IP65

**Pinhole**

The optics compartment applies the pin-hole camera concept, thus guaranteeing reflectance control. The source is positioned on a receded plane with respect to the opening of the compartment: the photons forming the primary light beam project without being hindered; on the contrary, the outermost photons bounce in the compartment, painted black to obtain maximum degree of absorption, progressively dimming up to complete exhaustion.



**Tilting version**

The Vos\_RJ and Vos\_QJ range of products come with a 360° mobility on the horizontal axis and a 35° tilt on the vertical axis.

**Shielding of the optics compartment**

The downlight structure was designed to avoid rear light dispersion and for shielding the internal of the dropped ceiling.

**Accessory**

The equipment can be directed using a special accessory key, provided at purchase, hence avoiding touching the optics with the fingers directly, dirtying it.

