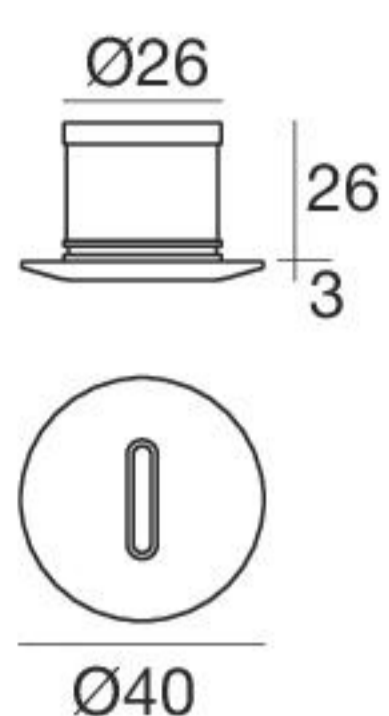
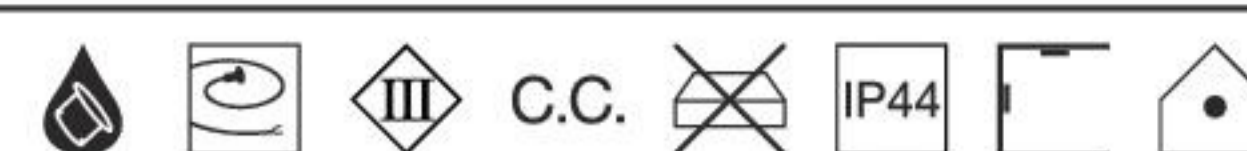


Petit\_2R | Path-marker | powerLED 1 W 350 mA



Efficiency - CRI 80

White	<b>92405</b>	2700 K	136 lm	<b>M</b>	Narrow Spot	<b>05</b>
Nickel	<b>92407</b>	3000 K	145 lm	<b>W</b>		
		4000 K	155 lm	<b>N</b>		

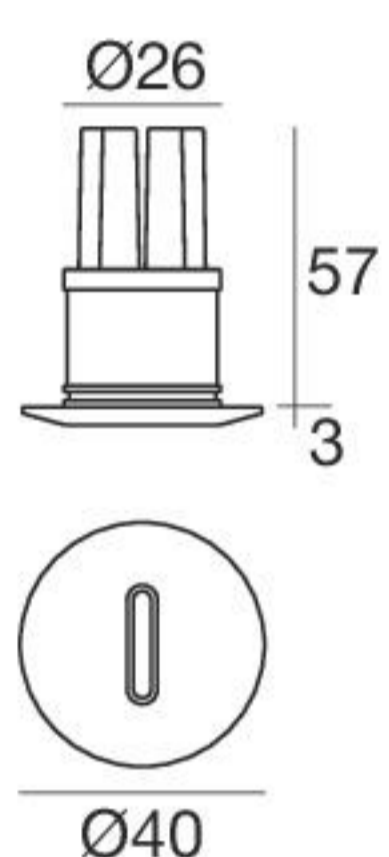
Electronics

<b>89144</b> ON/OFF 1 - 2 art.	<b>99708</b> 0/1-10V converter 1 - 4 art.	+ driver CV 24V 981	<b>99711</b> DALI converter 1 - 4 art.

Recessed casing  
1009 **84915/84336**

RTG **92405W05**  
**92407W05**

Petit\_2R | Path-marker | powerLED 2 W 630 mA



Efficiency - CRI 80

White	<b>92409</b>	2700 K	219 lm	<b>M</b>	Narrow Spot	<b>05</b>
Nickel	<b>92411</b>	3000 K	233 lm	<b>W</b>		
		4000 K	249 lm	<b>N</b>		

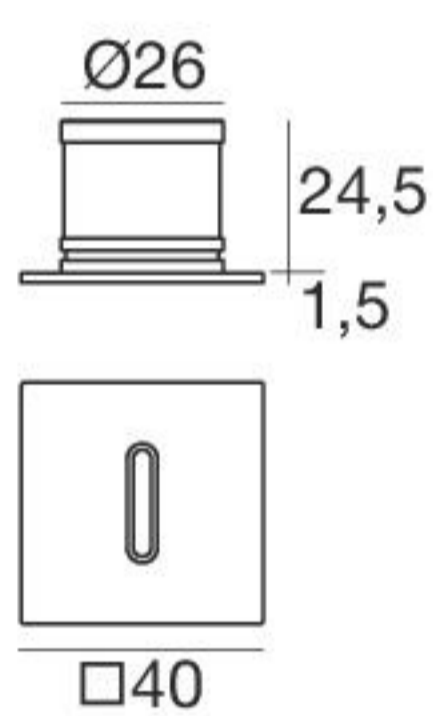
Electronics

<b>89147</b> ON/OFF 1 - 2 art.	<b>99710</b> 0/1-10V converter 1 art.	+ driver CV 24V 981	<b>99713</b> DALI converter 1 art.

Recessed casing  
1009 **84901**

RTG **92409W05**  
**92411W05**

Petit\_2Q | Path-marker | powerLED 1 W 350 mA



Efficiency - CRI 80

White	<b>92413</b>	2700 K	136 lm	<b>M</b>	Narrow Spot	<b>05</b>
Nickel	<b>92415</b>	3000 K	145 lm	<b>W</b>		
		4000 K	155 lm	<b>N</b>		

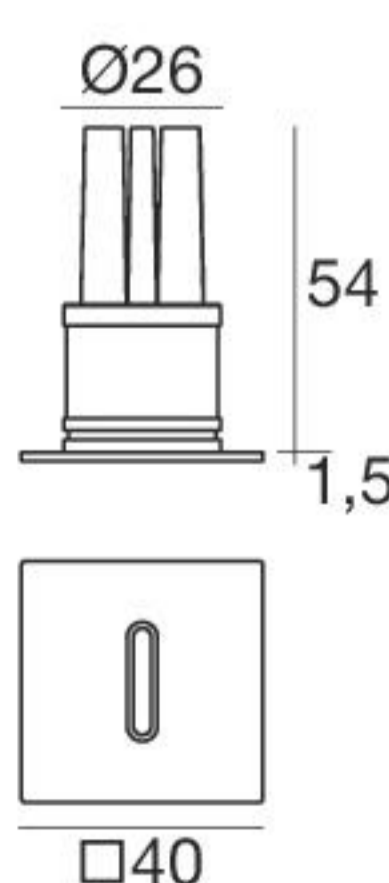
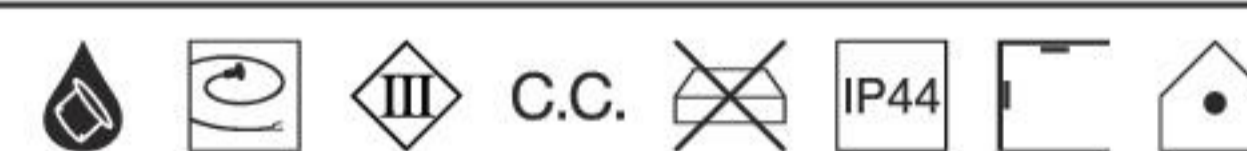
Electronics

<b>89144</b> ON/OFF 1 - 2 art.	<b>99708</b> 0/1-10V converter 1 - 4 art.	+ driver CV 24V 981	<b>99711</b> DALI converter 1 - 4 art.

Recessed casing  
1009 **84915/84336**

RTG **92413W05**  
**92415W05**

Petit\_2Q | Path-marker | powerLED 2 W 630 mA



Efficiency - CRI 80

White	<b>92417</b>	2700 K	219 lm	<b>M</b>	Narrow Spot	<b>05</b>
Nickel	<b>92419</b>	3000 K	233 lm	<b>W</b>		
		4000 K	249 lm	<b>N</b>		

Electronics

<b>89147</b> ON/OFF 1 - 2 art.	<b>99710</b> 0/1-10V converter 1 art.	+ driver CV 24V 981	<b>99713</b> DALI converter 1 art.

Recessed casing  
1009 **84901**

RTG **92417W05**  
**92419W05**