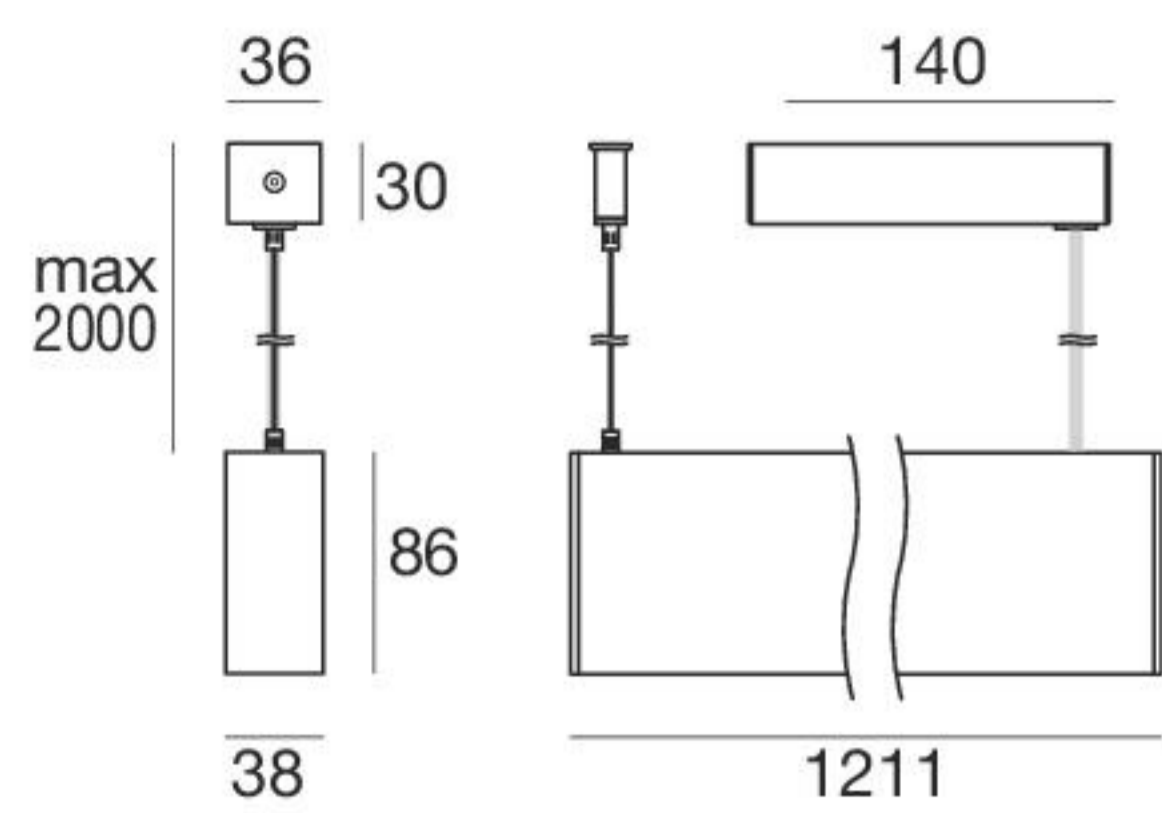
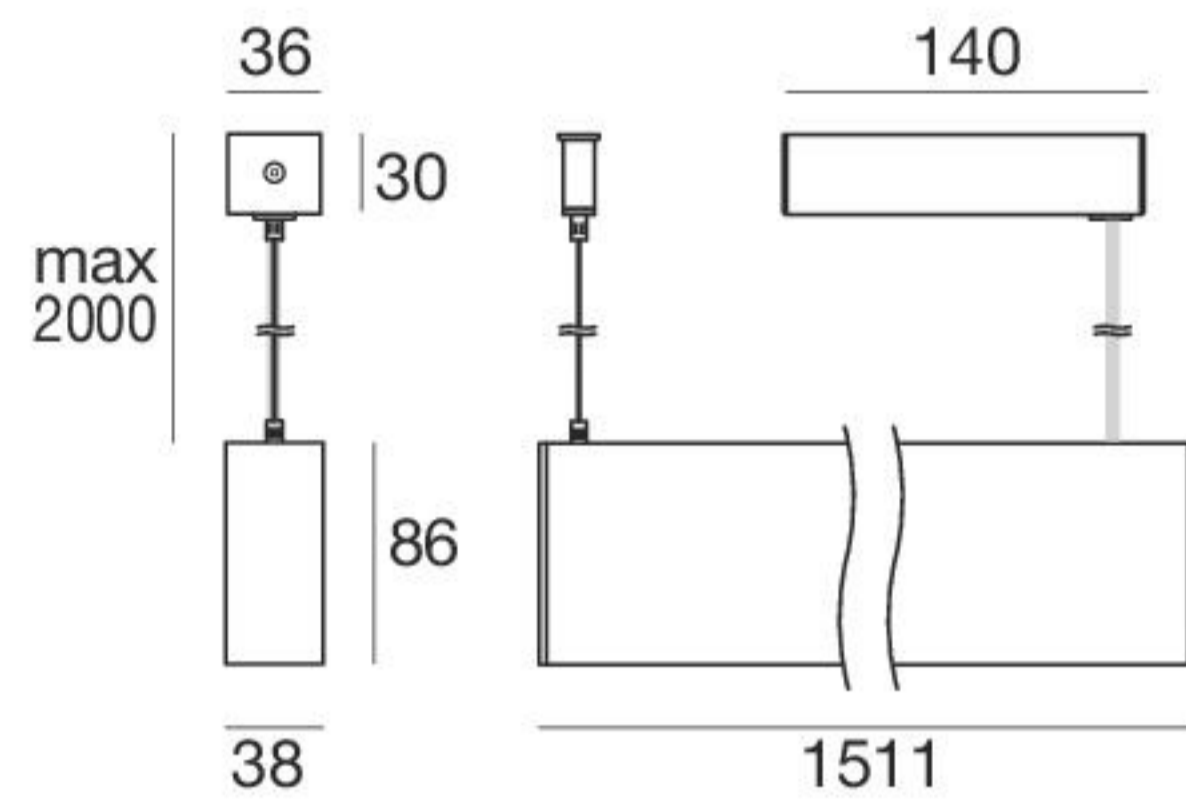


Rollip35_P Complete | Lines | 220-240 V | topLED



Double emission 1200 mm - 48 W - CRI 80

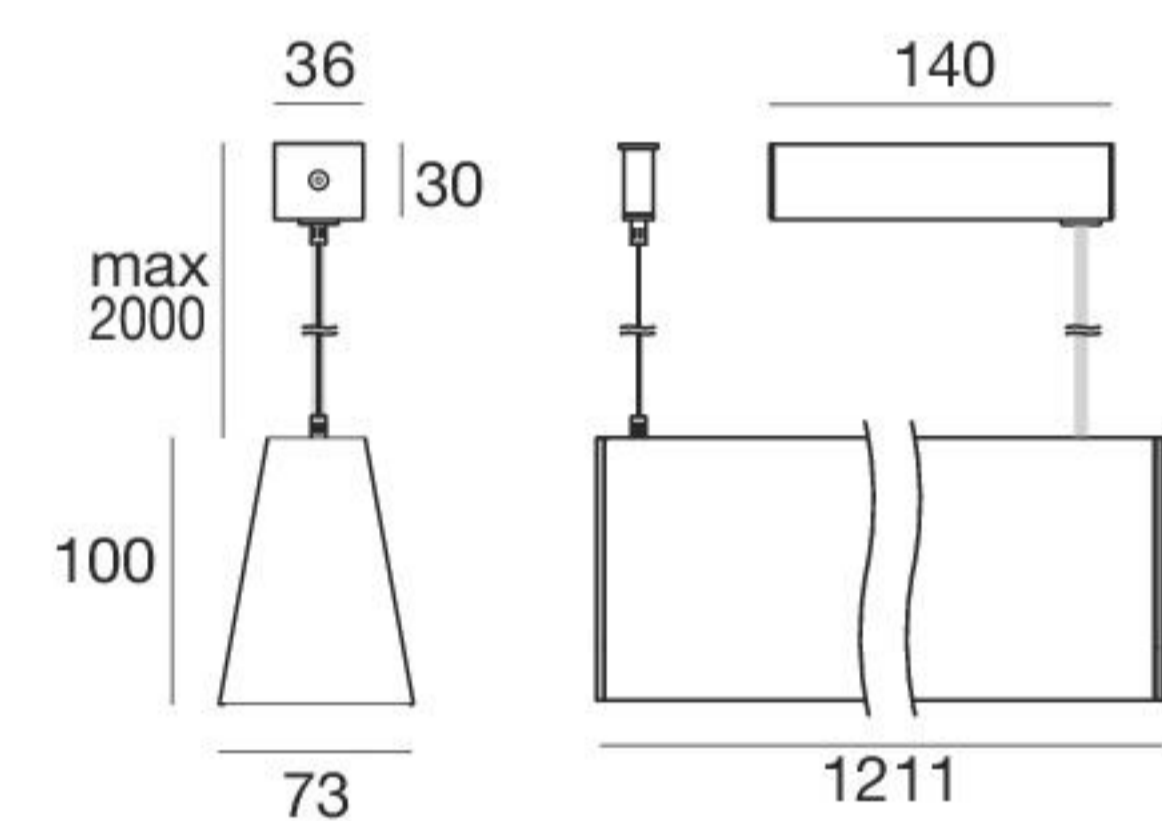
| | | | | | | | |
|-------|------------|--------------|--------|---------|----------|---------|-----------|
| White | On/Off | 65256 | 3000 K | 6922 lm | W | Gen+Gen | 00 |
| White | DALI / Dim | 65257 | 4000 K | 7239 lm | N | | |



Double emission 1500 mm - 54 W - CRI 80

| | | | | | | | |
|-------|------------|--------------|--------|---------|----------|---------|-----------|
| White | On/Off | 65258 | 3000 K | 8652 lm | W | Gen+Gen | 00 |
| White | DALI / Dim | 65259 | 4000 K | 9048 lm | N | | |

Rollip7035_P Complete | Lines | 220-240 V | topLED

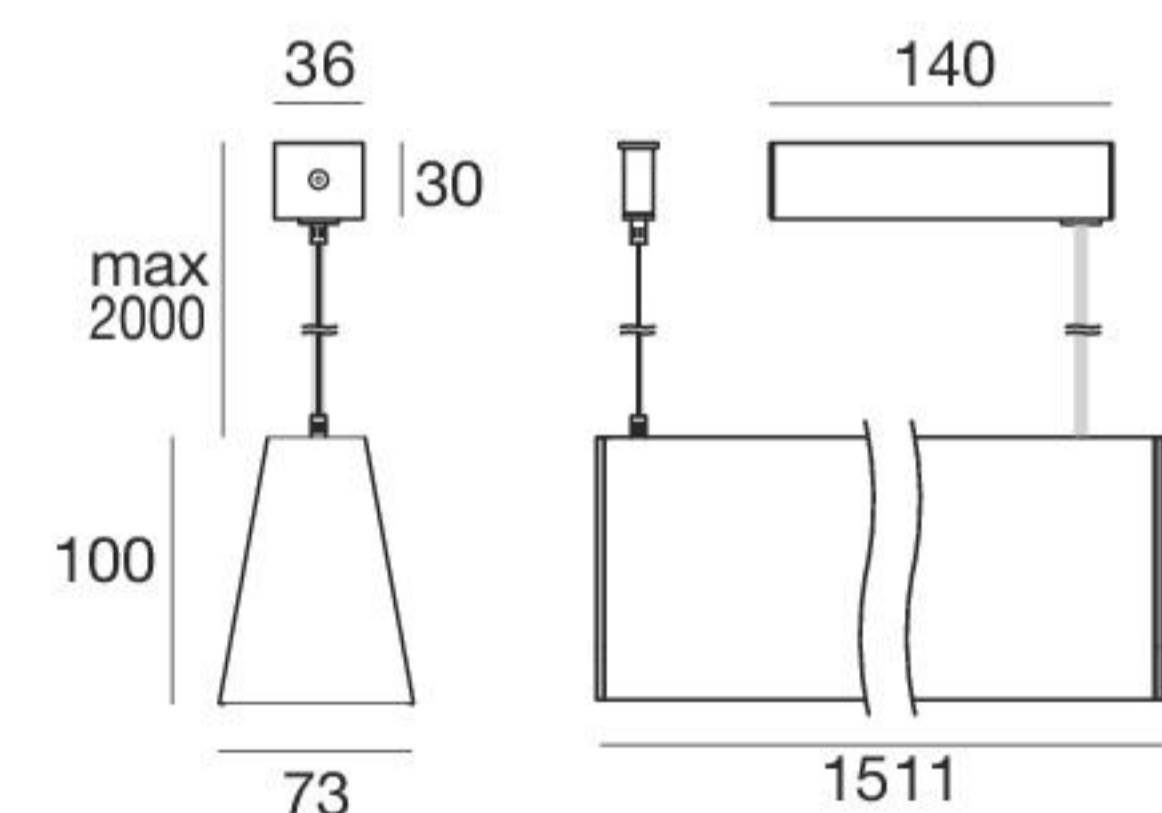


Double emission 1200 mm - 48 W - CRI 80

| | | | | | | | |
|-------|------------|--------------|--------|---------|----------|---------|-----------|
| White | On/Off | 64288 | 3000 K | 6922 lm | W | Gen+UGR | 00 |
| White | DALI / Dim | 64289 | 4000 K | 7239 lm | N | | |



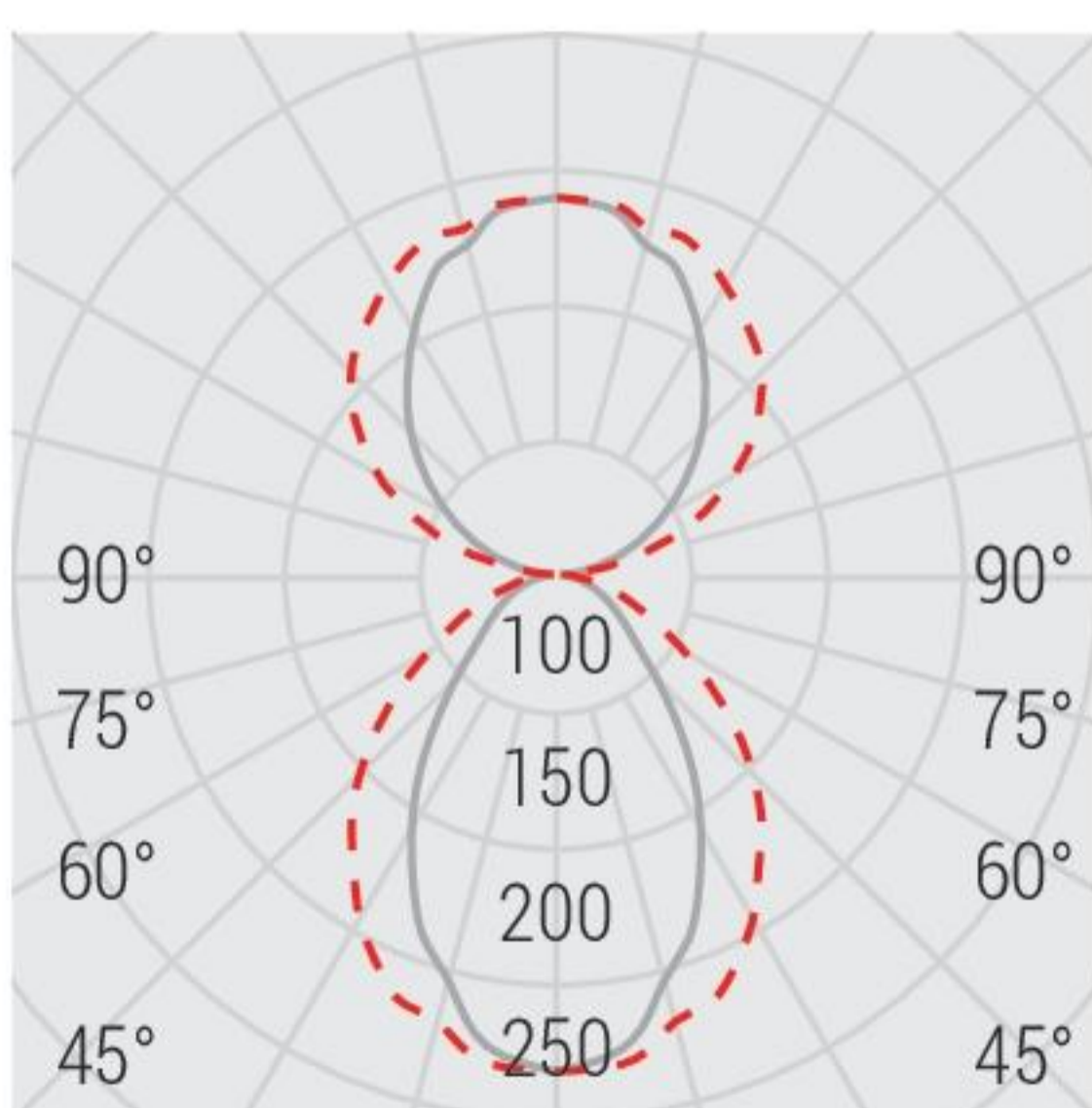
The complete Rollip7035_MPC diffuser is UGR at the lower part and opal at the upper part



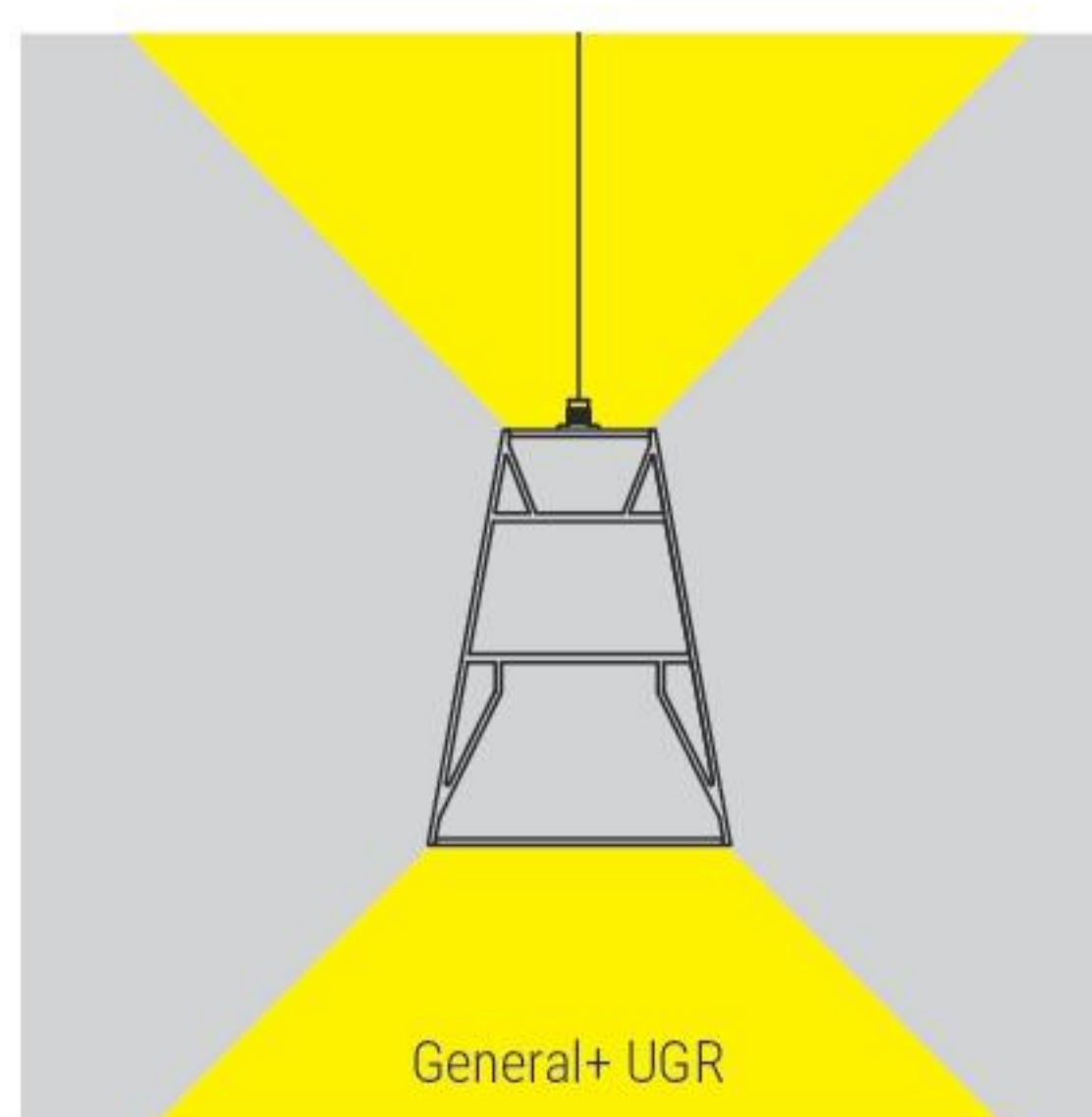
Double emission 1500 mm - 54 W - CRI 80

| | | | | | | | |
|-------|------------|--------------|--------|---------|----------|---------|-----------|
| White | On/Off | 64278 | 3000 K | 8652 lm | W | Gen+UGR | 00 |
| White | DALI / Dim | 64279 | 4000 K | 9048 lm | N | | |

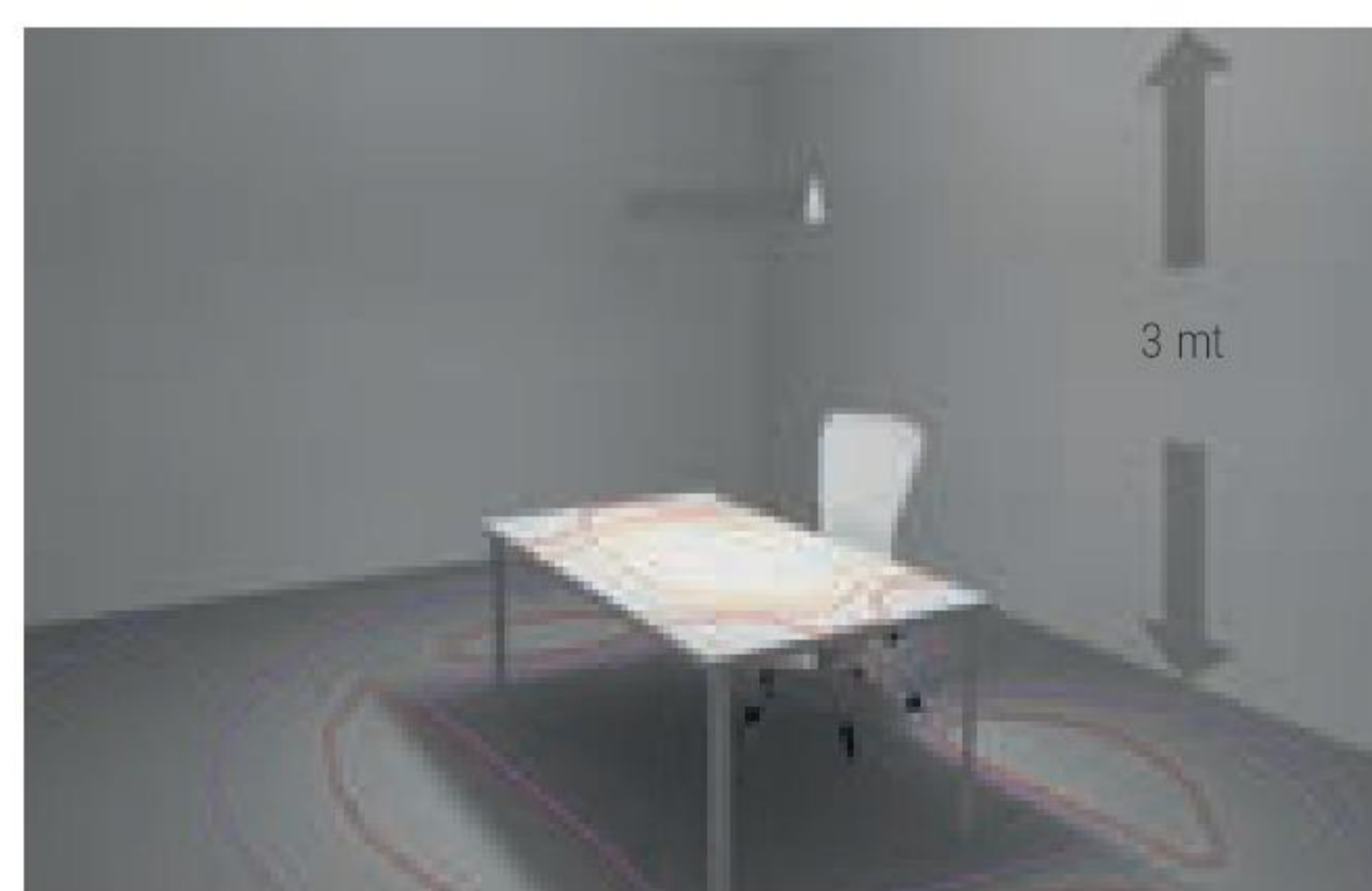
64288N00



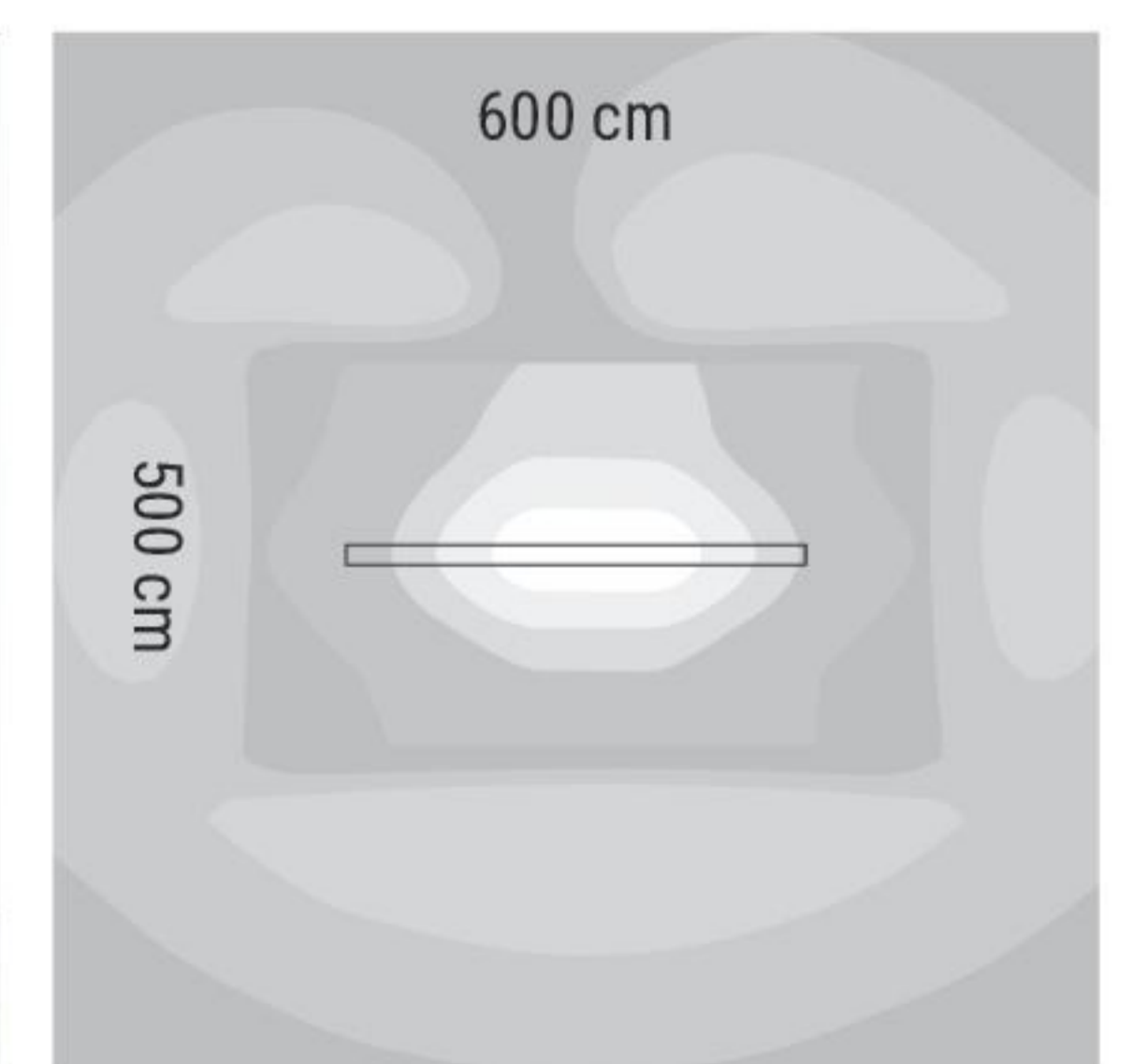
Photometric curve



Light beam



25 LUX 50 LUX 75 LUX 300 LUX 350 LUX 400 LUX 450 LUX 500 LUX



Floor plan