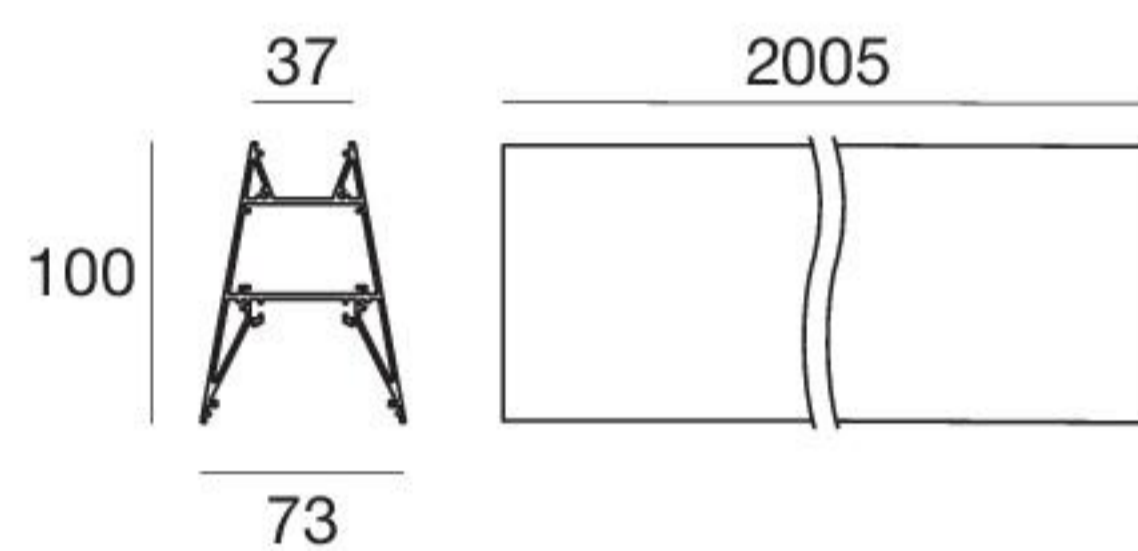
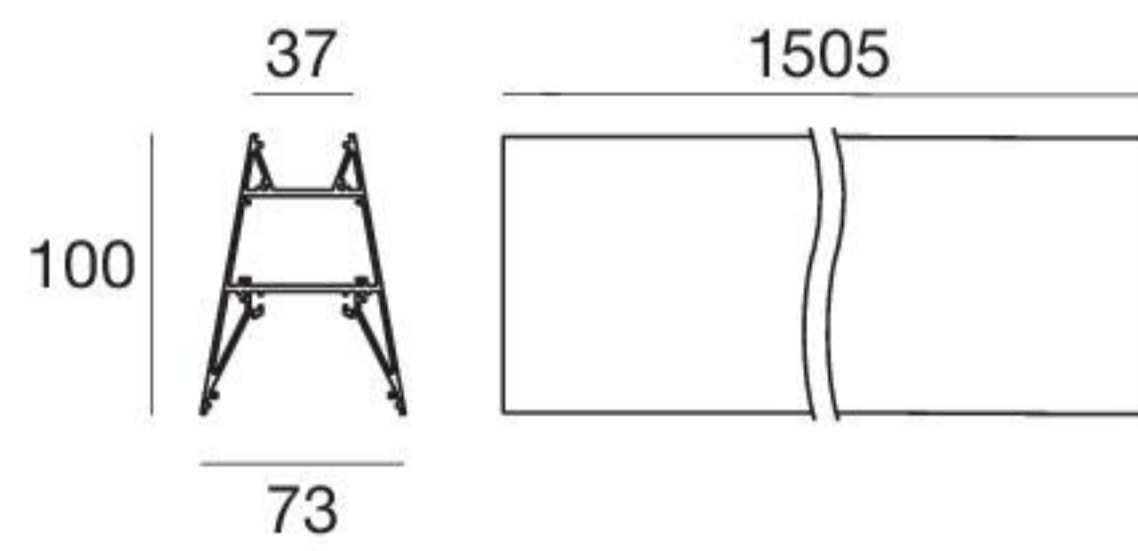


First module always to be integrated with power supply kit.  
All linear modules must be completed with at least one suspension kit to be installed at one of the ends



Single emission - 1005 mm - 20 W - CRI 80

White	On/Off	<b>64272</b>	3000 K	2884 lm	<b>W</b>
White	DALI / Dim.	<b>64273</b>	4000 K	3016 lm	<b>N</b>



Double emission - 1005 mm - 40 W - CRI 80

White	On/Off	<b>64282</b>	3000 K	5768 lm	<b>W</b>
White	DALI / Dim.	<b>64283</b>	4000 K	6032 lm	<b>N</b>



Single emission - 1505 mm - 27 W - CRI 80

White	On/Off	<b>64274</b>	3000 K	4326 lm	<b>W</b>
White	DALI / Dim.	<b>64275</b>	4000 K	4524 lm	<b>N</b>



Double emission 1505 mm - 54 W - CRI 80

White	On/Off	<b>64284</b>	3000 K	8652 lm	<b>W</b>
White	DALI / Dim.	<b>64285</b>	4000 K	9048 lm	<b>N</b>



Single emission - 2005 mm - 40 W - CRI 80

White	On/Off	<b>64276</b>	3000 K	5768 lm	<b>W</b>
White	DALI / Dim.	<b>64277</b>	4000 K	6032 lm	<b>N</b>

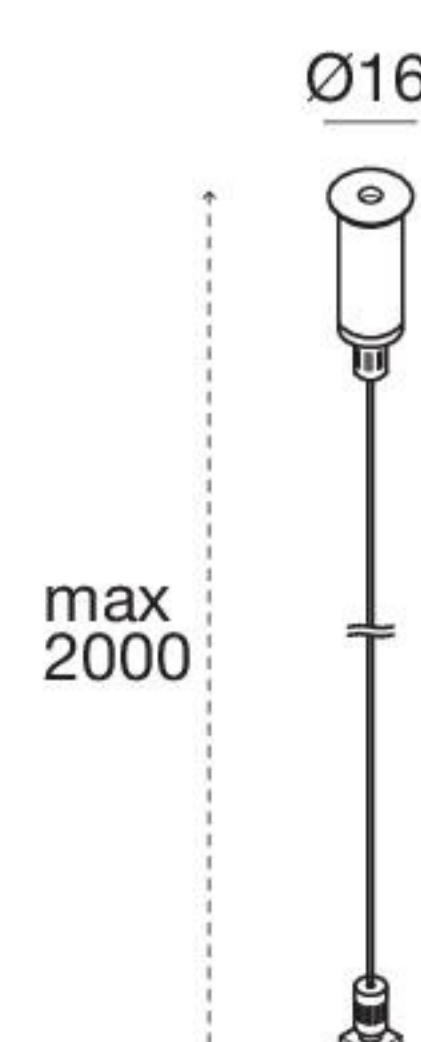


Double emission - 2005 mm - 80 W - CRI 80

White	On/Off	<b>64286</b>	3000 K	11536 lm	<b>W</b>
White	DALI / Dim.	<b>64287</b>	4000 K	12064 lm	<b>N</b>



Rollip7035 | Suspension kit



Suspension kit

2 m **64776**

The suspension kit comprises a single cable. A suspension kit for each single module of the installation needs to be bought.