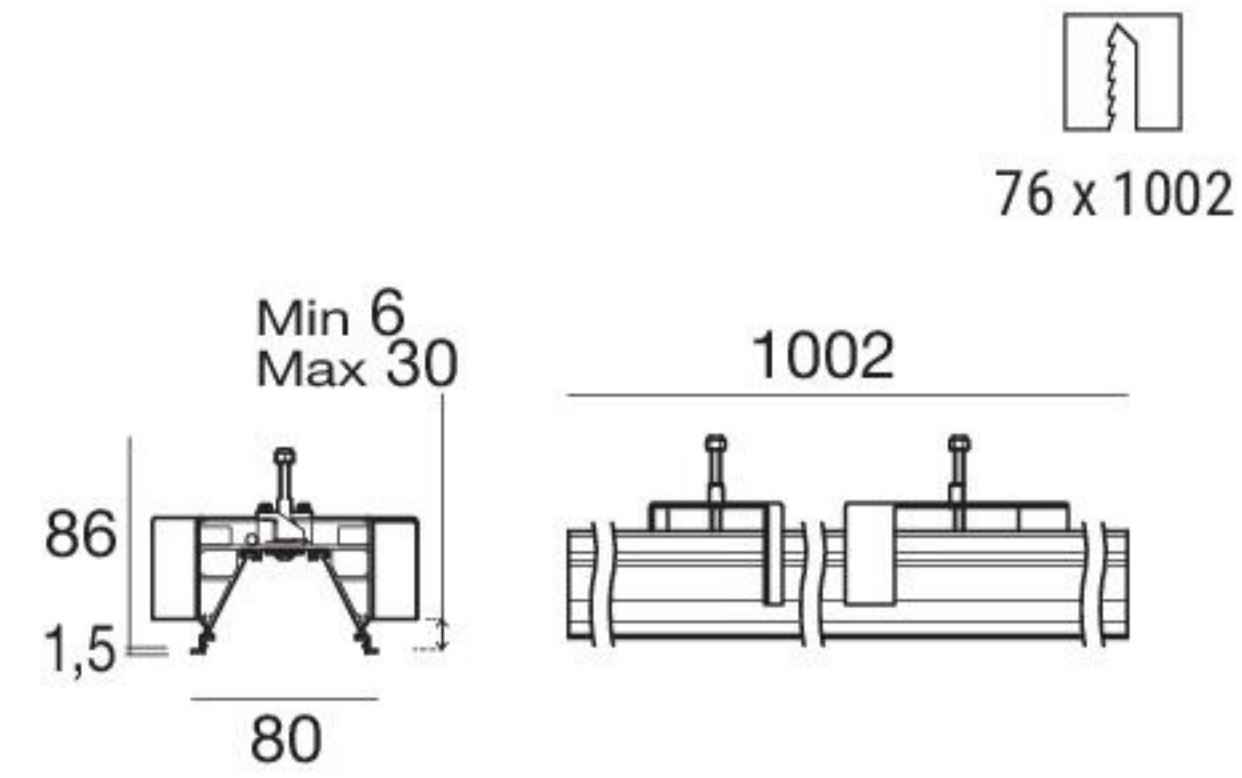
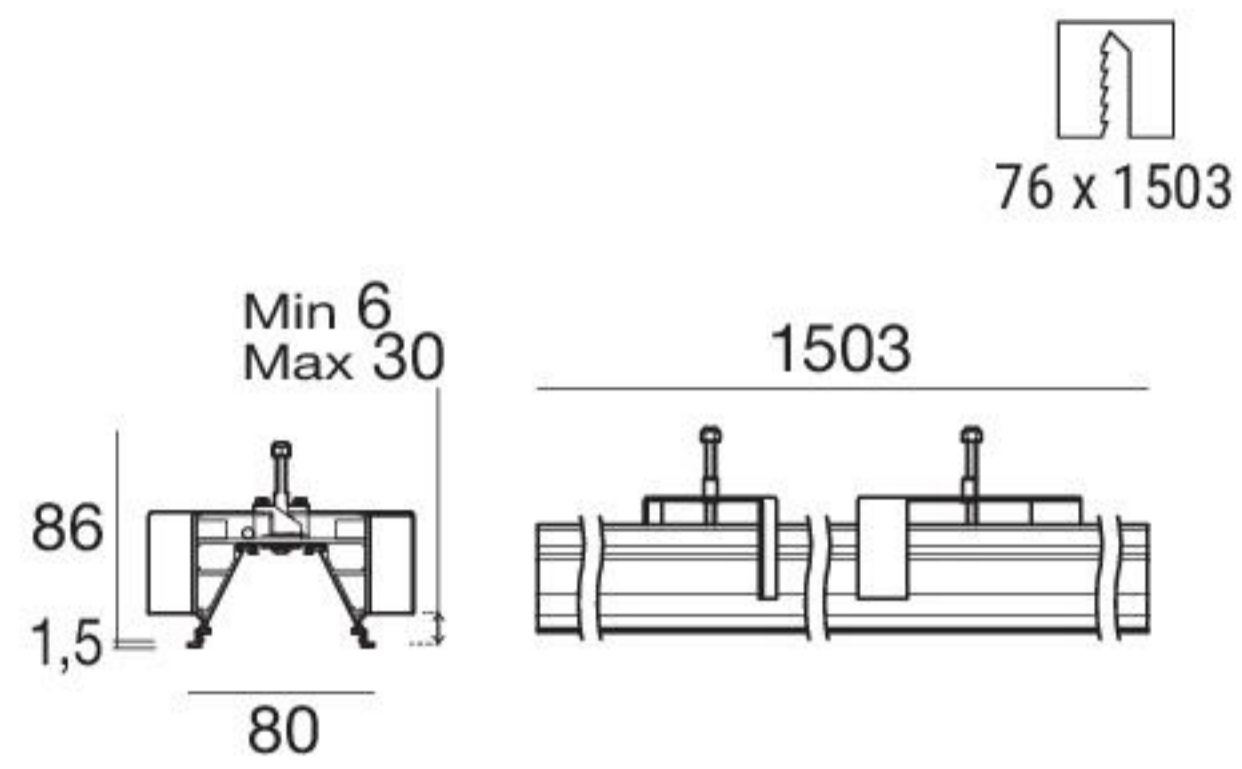


Joining kit included



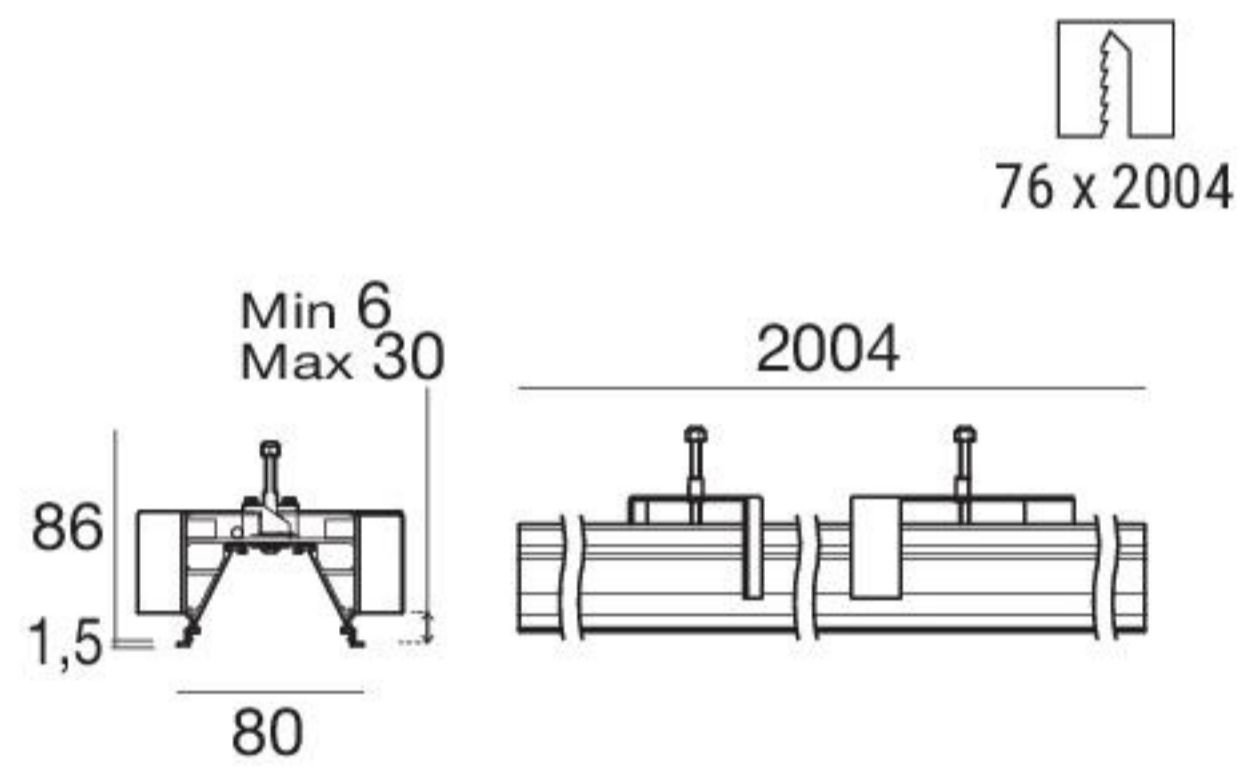
1002 mm - 20 W - CRI 80

| | | | | |
|-------|--------------|--------|---------|----------|
| White | 65200 | 3000 K | 2112 lm | W |
| | | 4000 K | 2280 lm | N |



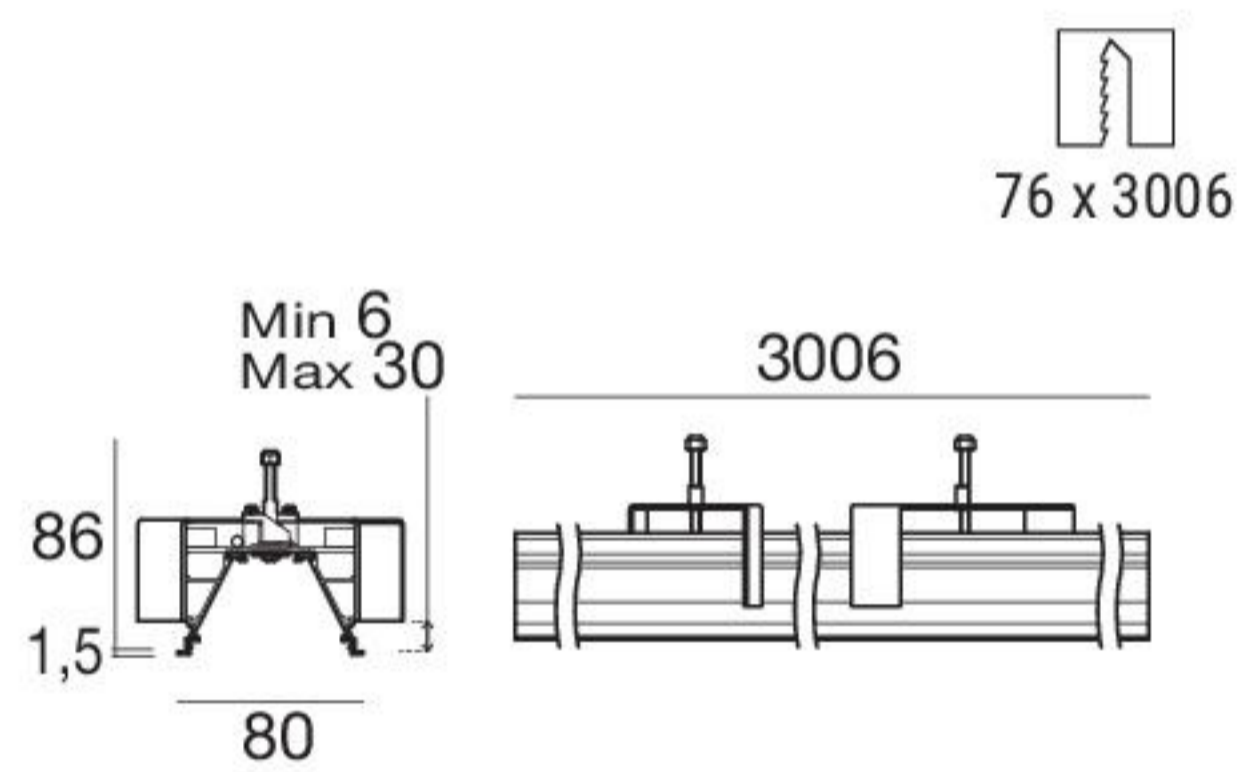
1503 mm - 30 W - CRI 80

| | | | | |
|-------|--------------|--------|---------|----------|
| White | 65201 | 3000 K | 3168 lm | W |
| | | 4000 K | 3420 lm | N |



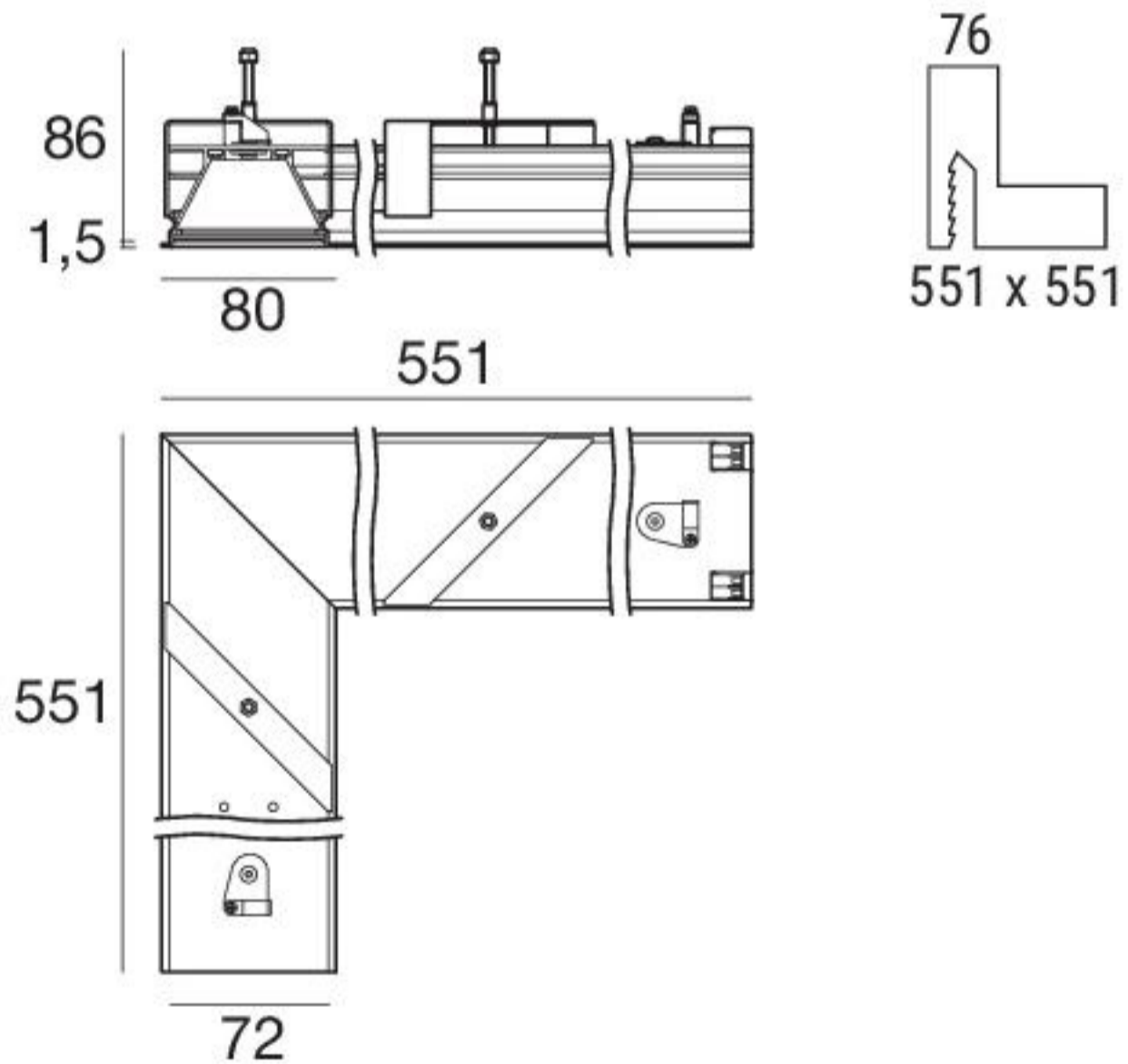
2004 mm - 40 W - CRI 80

| | | | | |
|-------|--------------|--------|---------|----------|
| White | 65202 | 3000 K | 4224 lm | W |
| | | 4000 K | 4560 lm | N |



3006 mm - 60 W - CRI 80

| | | | | |
|-------|--------------|--------|---------|----------|
| White | 65203 | 3000 K | 6336 lm | W |
| | | 4000 K | 6840 lm | N |



551 x 551 mm - 20 W - CRI 80

| | | | | |
|-------|--------------|--------|---------|----------|
| White | 65231 | 3000 K | 2112 lm | W |
| | | 4000 K | 2280 lm | N |

551 x 551 mm - 40 W - CRI 80

| | | | | |
|-------|--------------|--------|---------|----------|
| White | 65232 | 3000 K | 4224 lm | W |
| | | 4000 K | 4560 lm | N |

The composition with the angular module does not guarantee the IP54 index of protection.

Electronics



| | | |
|--------------------------------|----------------------------------|-------------------------------|
| 99374 ON/OFF 75 W | 99332 0/1-10V 150 W | 99722 DALI 120 W |
|--------------------------------|----------------------------------|-------------------------------|