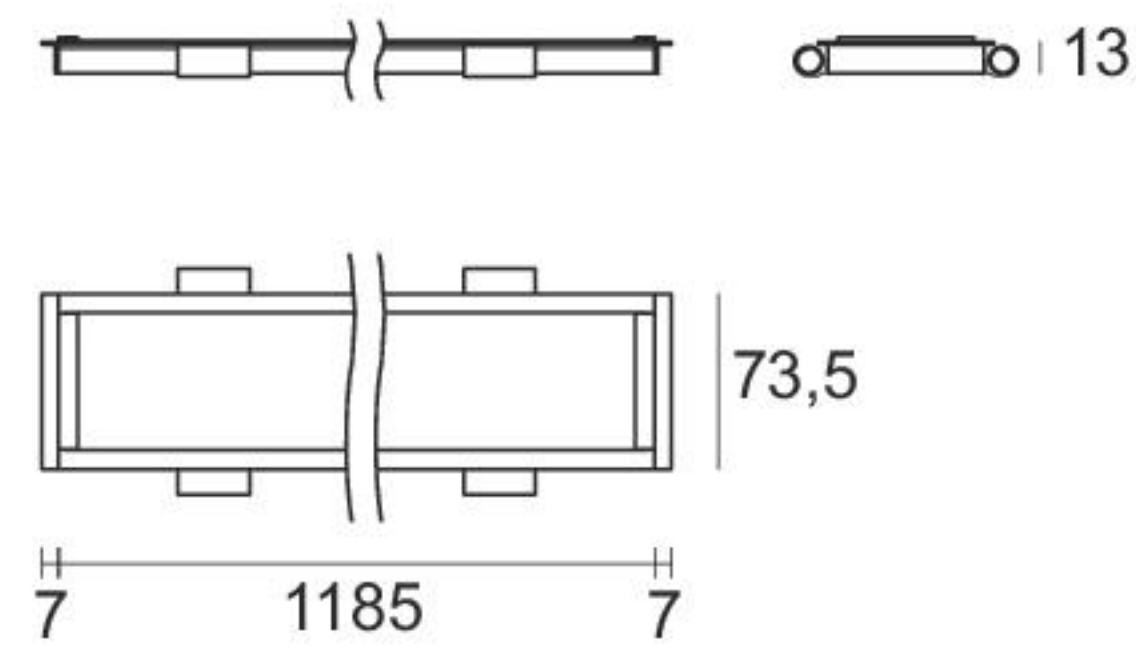




67 x 1188

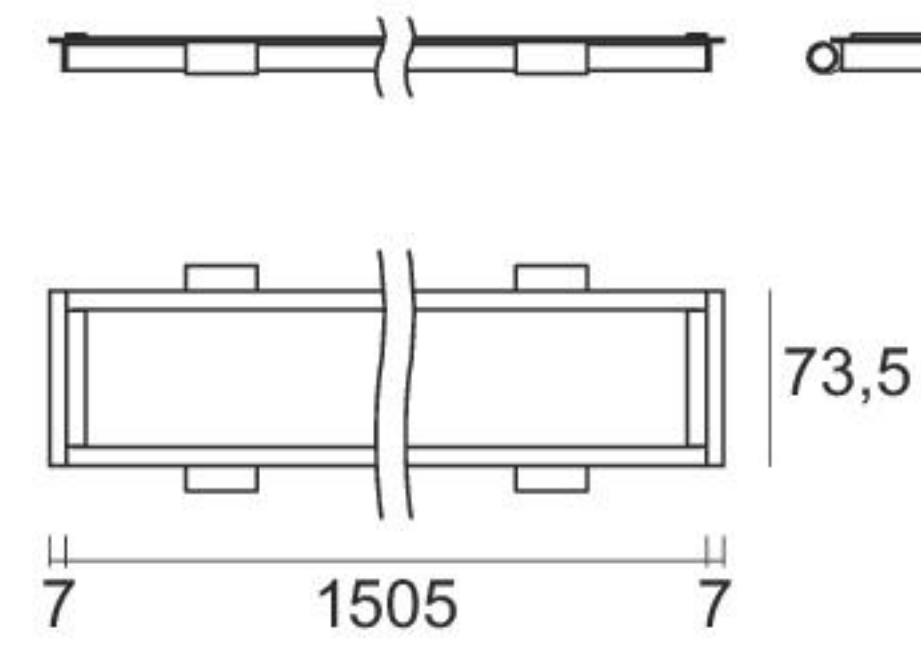


1200 mm - 24 W - CRI 80

White **62473**

3000 K	3446 lm	W	General	00
4000 K	3588 lm	N		

67 x 1508



1500 mm - 30 W - CRI 80

White **62474**

3000 K	4374 lm	W	General	00
4000 K	4554 lm	N		

Electronics



99374
ON/OFF
75 W



99332
0/1-10V
150 W



99722
DALI
120 W

PRODUCT STRUCTURE AND HARMONIC DIFFUSION

Absence of joints

12 mm of overall dimensions for directly installing under the structure of the dropped ceiling

