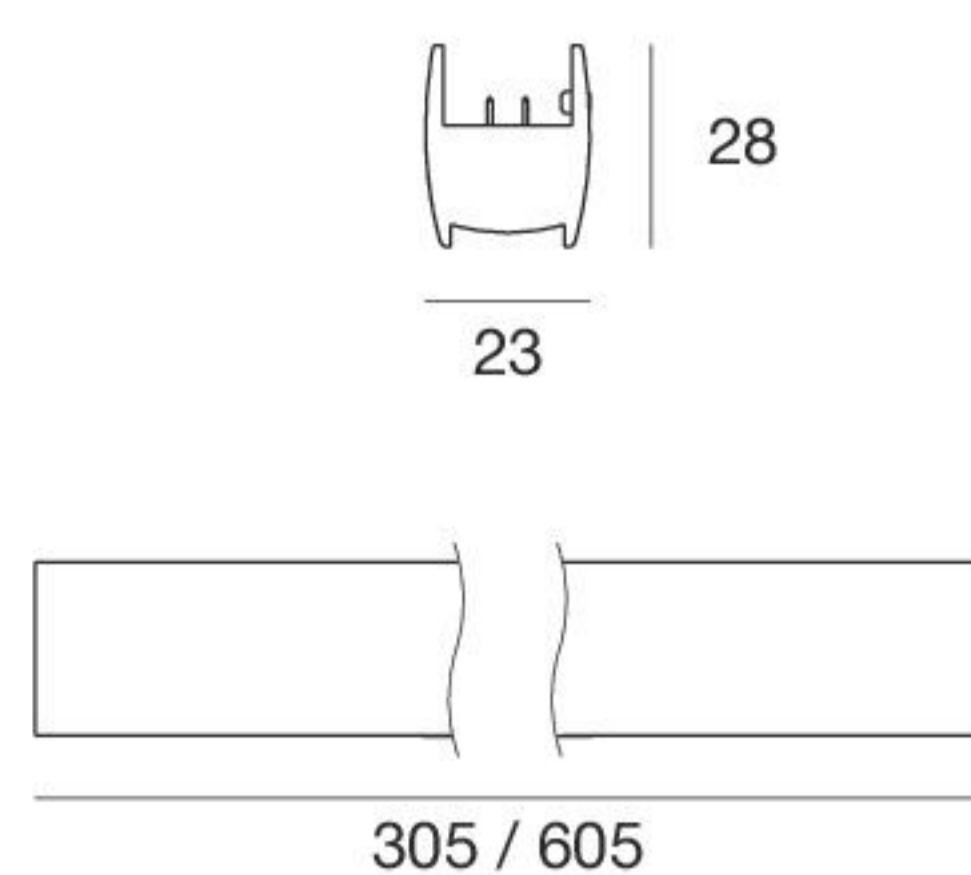


**Ink system\_L | Linear module**



CRI 80 - 11 W 300 mm

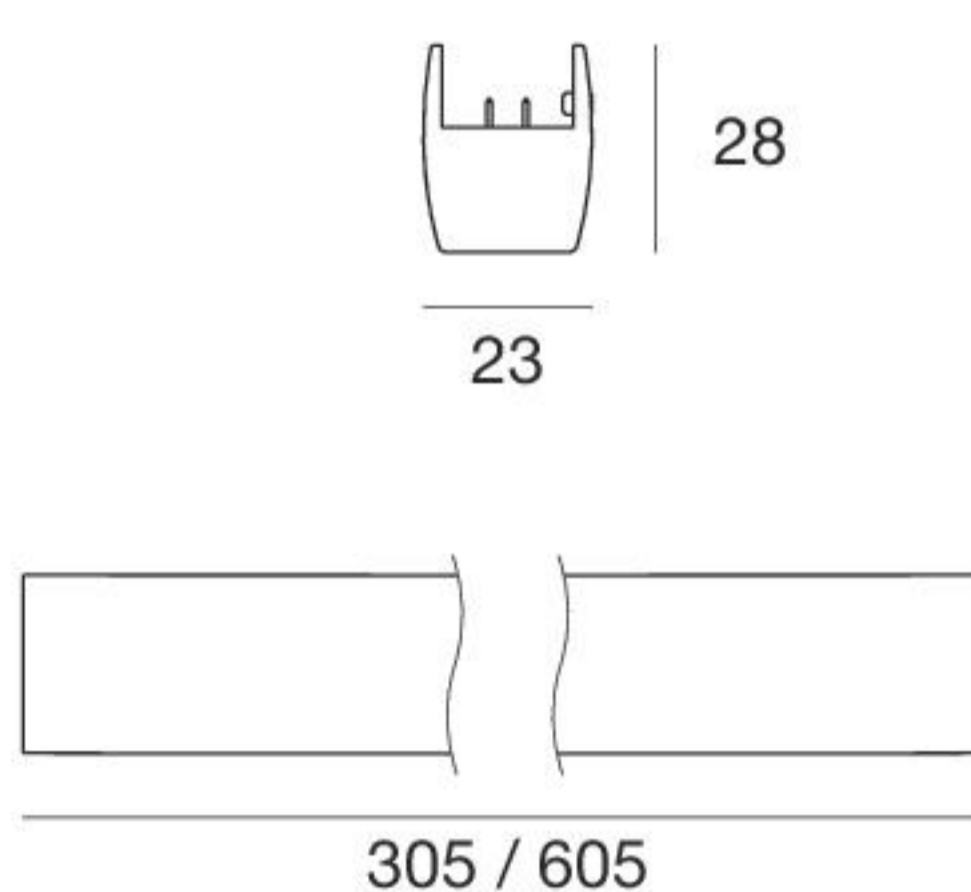
Black	<b>81381</b>	3000 K	1155 lm	<b>W</b>	General	<b>00</b>
Black An	<b>81382</b>					

CRI 80 - 22 W 600 mm

Black	<b>81385</b>	3000 K	2310 lm	<b>W</b>	General	<b>00</b>
Black An	<b>81386</b>					



**Ink systemL UGR | Anti-glaring linear module**



CRI 80 - 7 W 300 mm

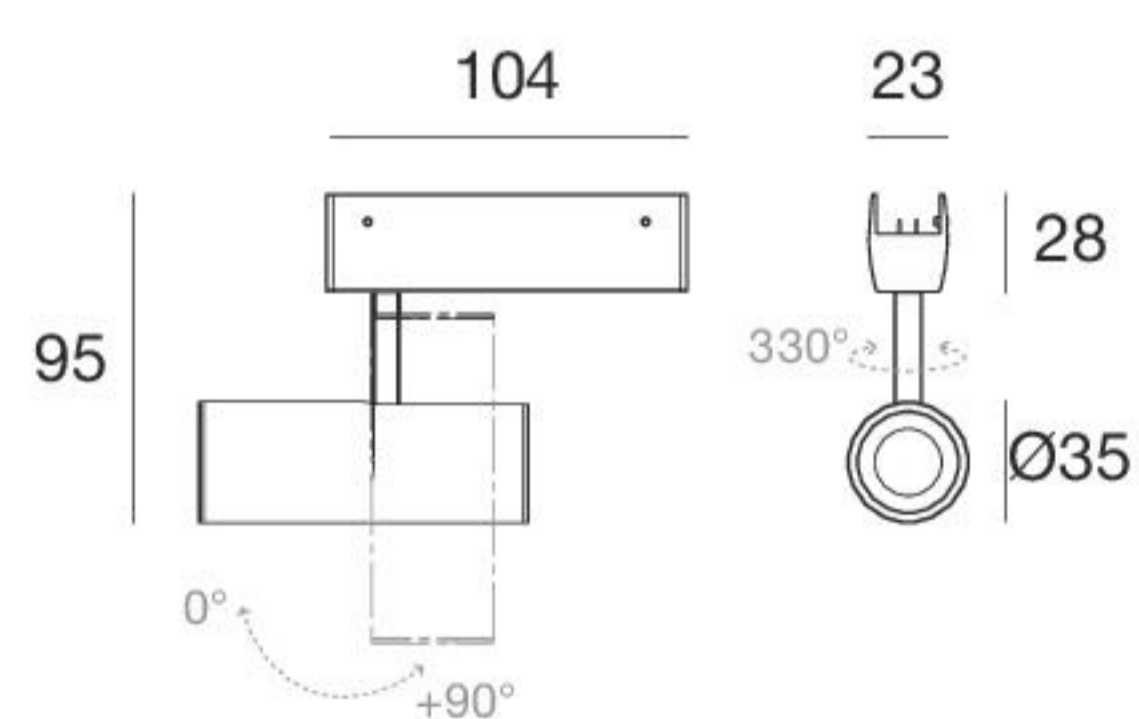
Black	<b>81383</b>	3000 K	750 lm	<b>W</b>	Medium Flood	<b>30</b>
Black An	<b>81384</b>					

CRI 80 - 14 W 600 mm

Black	<b>81387</b>	3000 K	1500 lm	<b>W</b>	Medium Flood	<b>30</b>
Black An	<b>81388</b>					

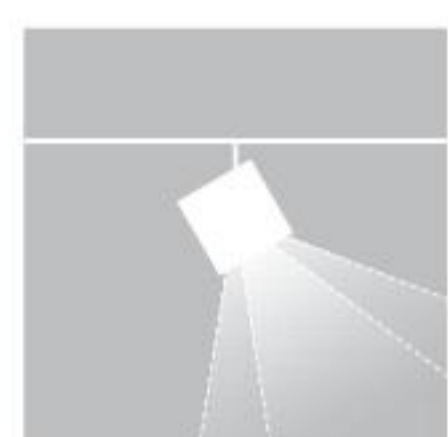


**Ink system\_SP | Projector**

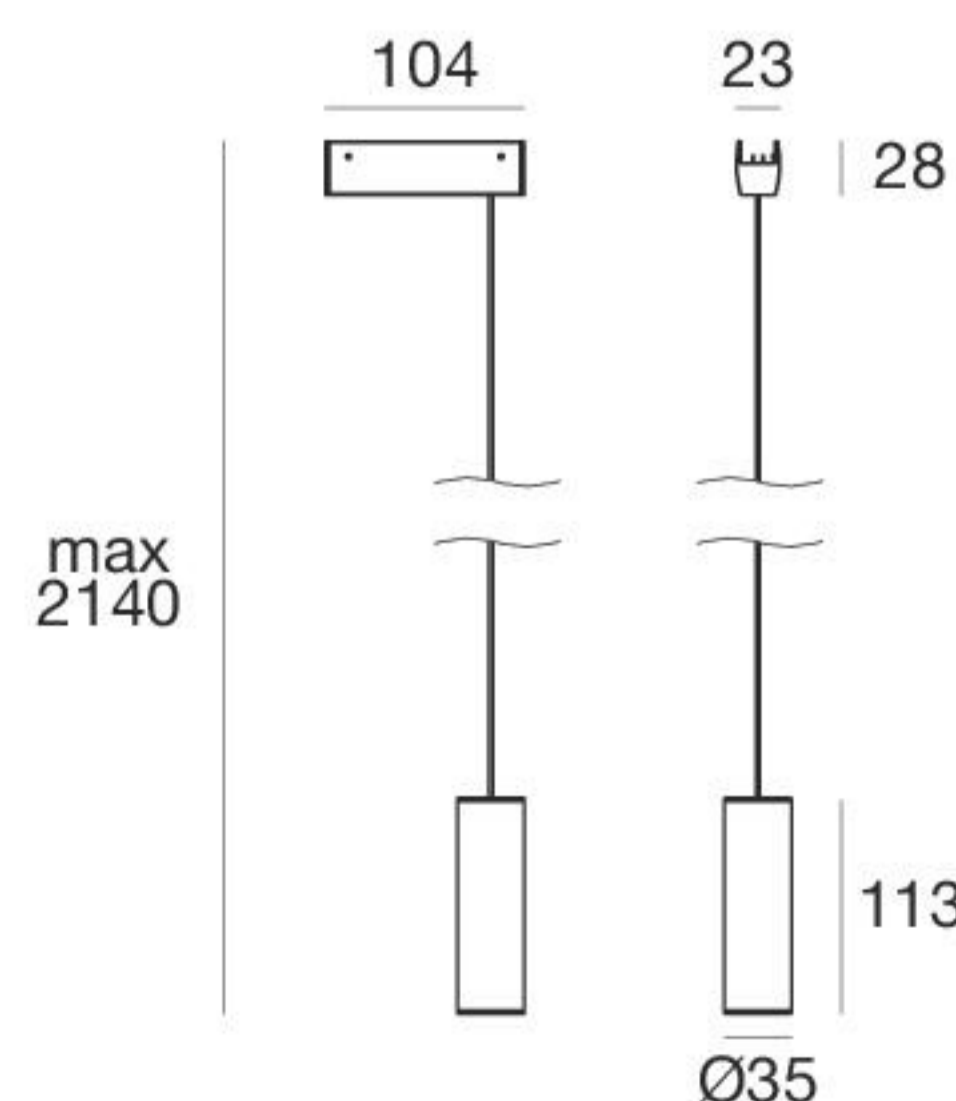


CRI 80 - 6 W

Black	<b>81389</b>	3000 K	780 lm	<b>W</b>	Spot	<b>10</b>
Black An	<b>81390</b>				Medium Flood	<b>30</b>
					Flood	<b>45</b>



**Ink system\_P | Suspension**



CRI 80 - 6 W

Black	<b>81395</b>	3000 K	780 lm	<b>W</b>	Flood	<b>45</b>
Black An	<b>81396</b>					

