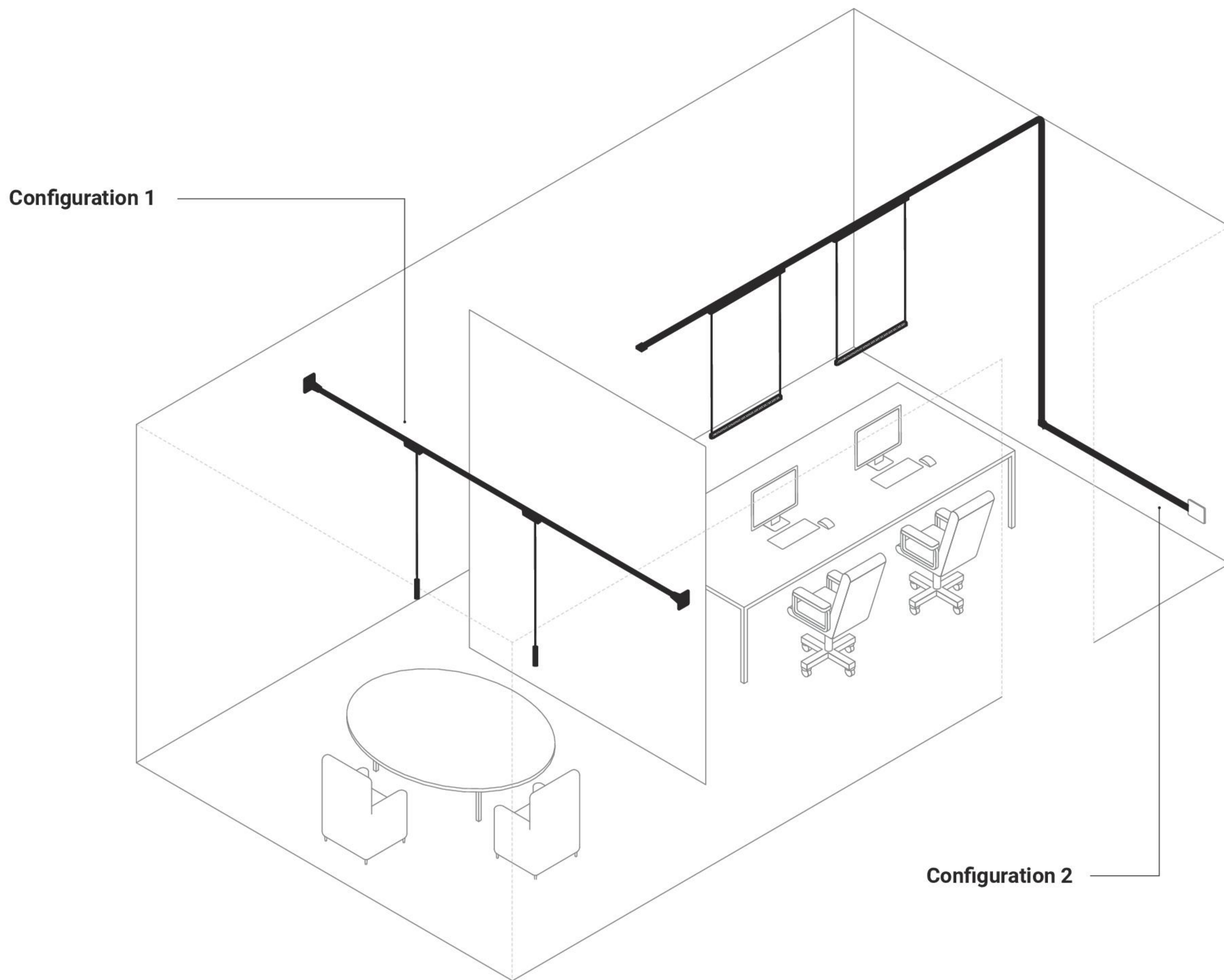


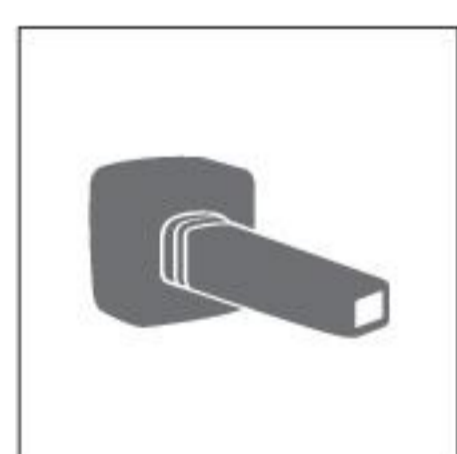
Installation examples



Configuration 1 | Span system with specially designed electrical installation and remote driver, length 4 metres



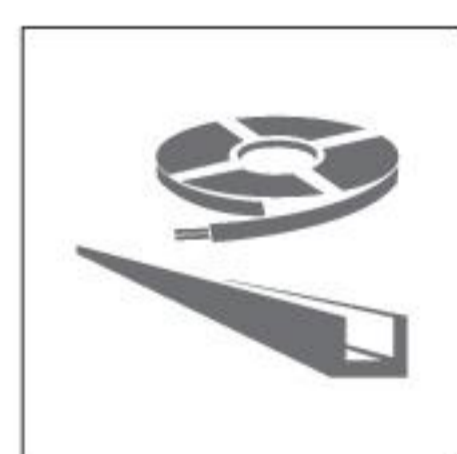
81416 x1



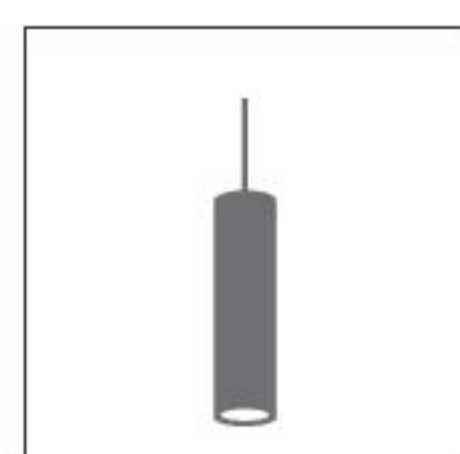
81423 x1



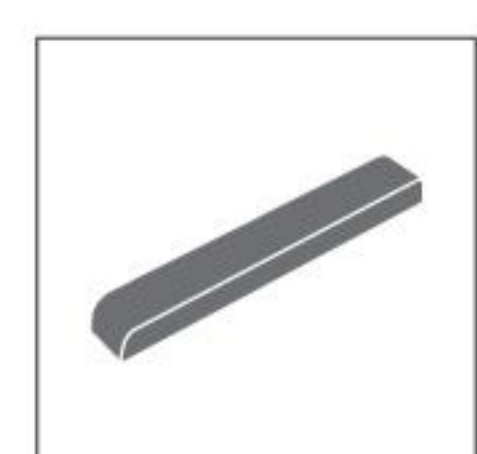
81427 x1



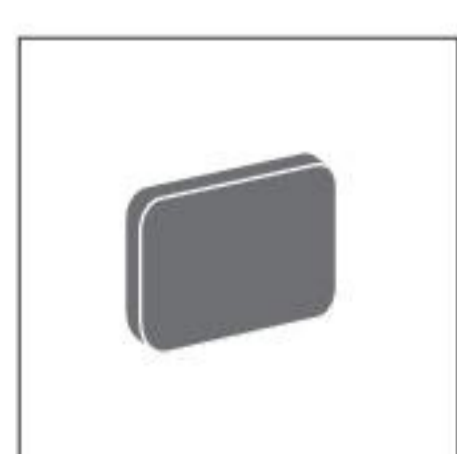
81410 x1
81409W00 x1



81395W45 x2



81416 x1



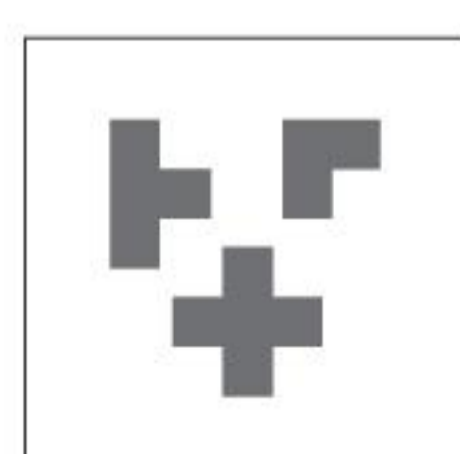
81424 x1



81427 x1



81411 x1
81426 x1
81430 x2



81419 x1



81404W30 x2



81421 x1