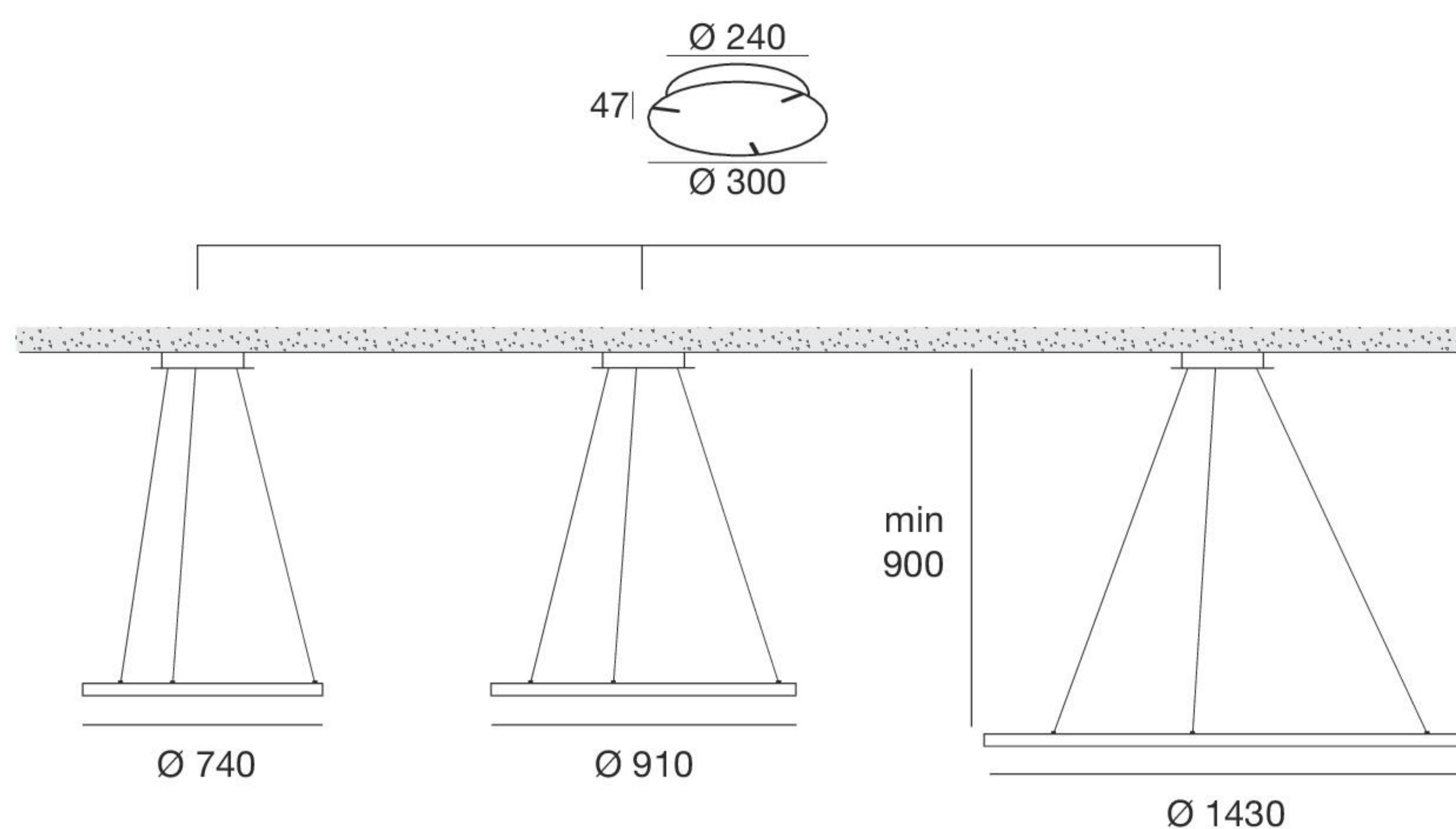


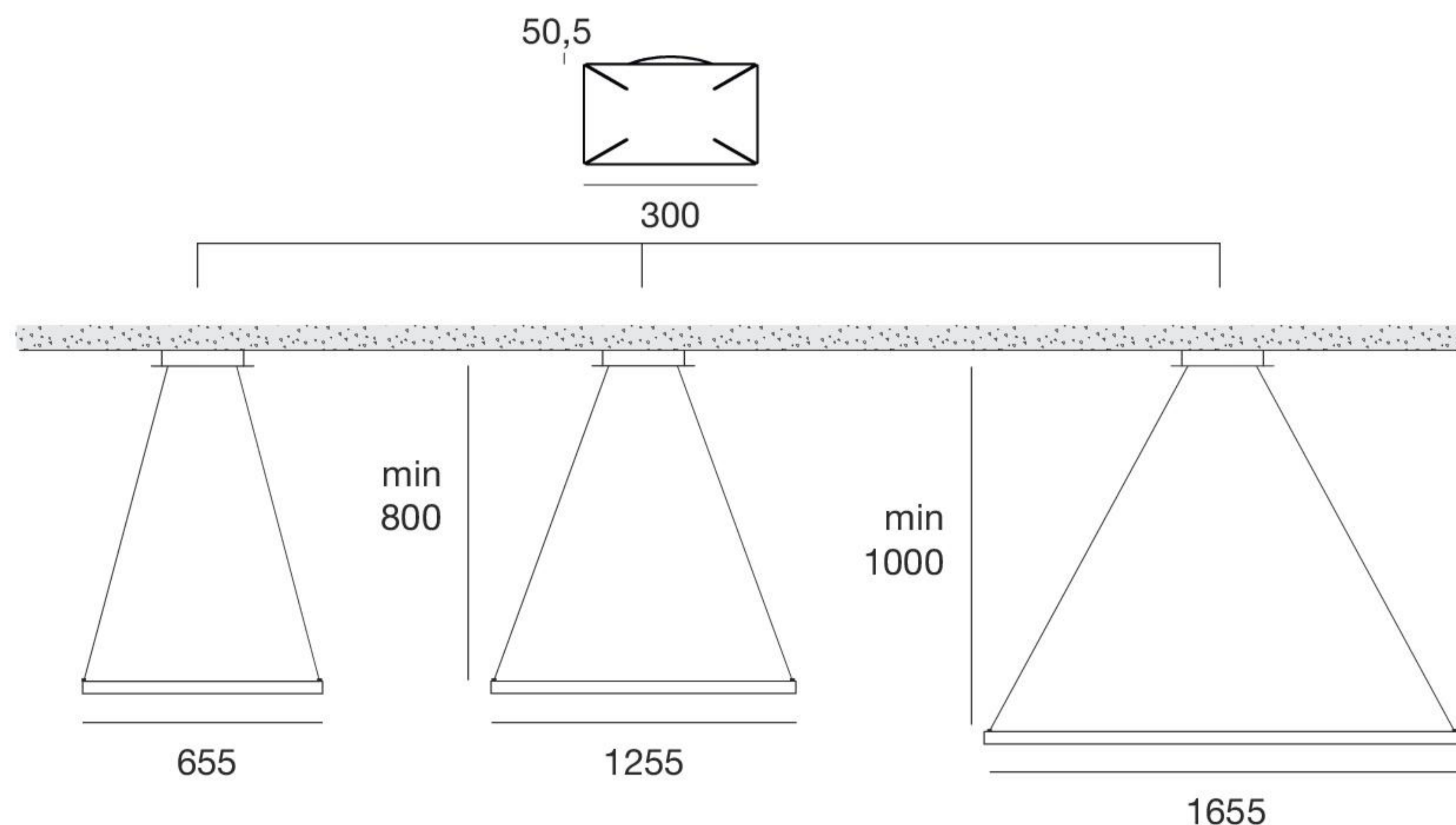
3-coupling point ceiling rose for one-side emission Tour R



Available for PD1 - PI1 - PU1 - PD2 - PI2 - PU2 - PD3 - PI3 - PU3

type	ON/OFF Max 75 W	DALI 0/1-10 V Max 75 W
White	64578	64586
Black	65142	65143
Nickel	65144	65145
Gold	63706	63707
Bronze	65148	65149
Rose gold	65150	65151

4-coupling point ceiling rose for one-side emission Tour Q

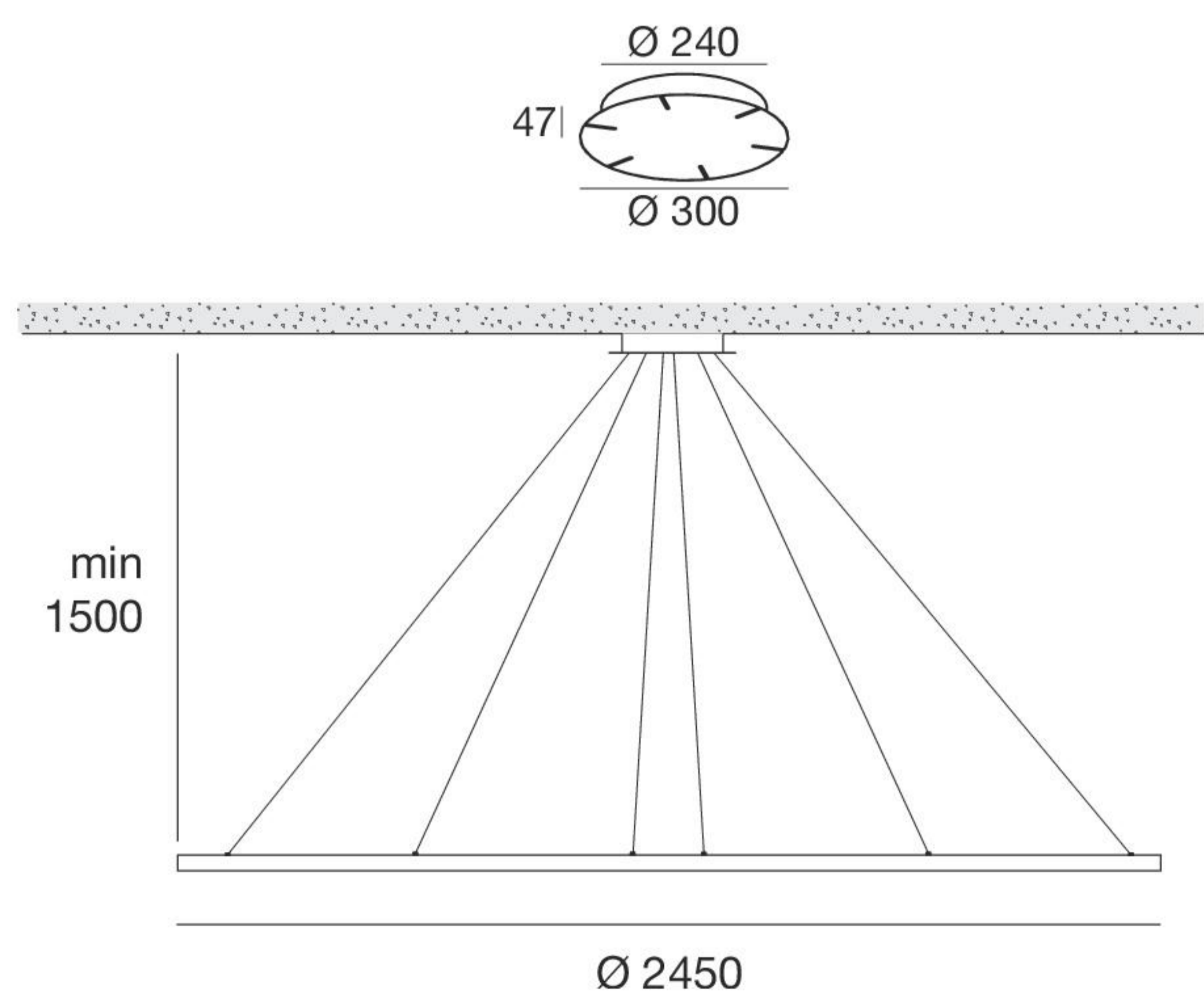


Available for one-side emission Tour Q

type	ON/OFF Max 75 W	DALI 0/1-10 V Max 75 W
White	64368	64388
Black	64369	64389

type	ON/OFF Max 150 W	DALI 0/1-10 V Max 150 W
White	64378	64398
Black	64379	64399

6-point coupling ceiling rose for 2450 mm-long one-side emission Tour R



One side emission
Available for PD4 - PU4

type	ON/OFF Max 150 W	DALI Max 150 W
White	64580	64588
Black	65152	65153
Nickel	65154	65155
Gold	63708	63709
Bronze	65158	65159
Rose gold	65160	65161