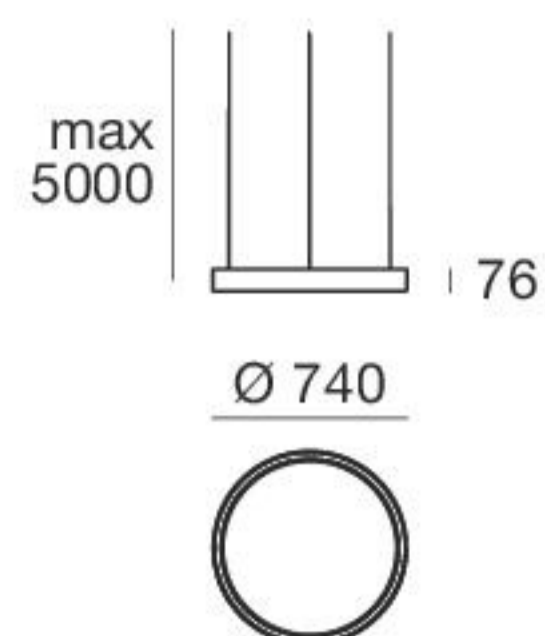


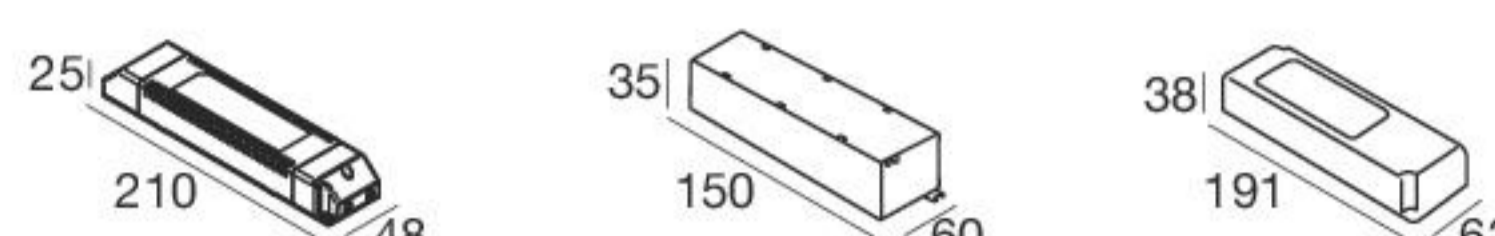
Tour_D | Pendant Luminaires | 24 V | topLED 75 W



Use a dual driver for dual lighting

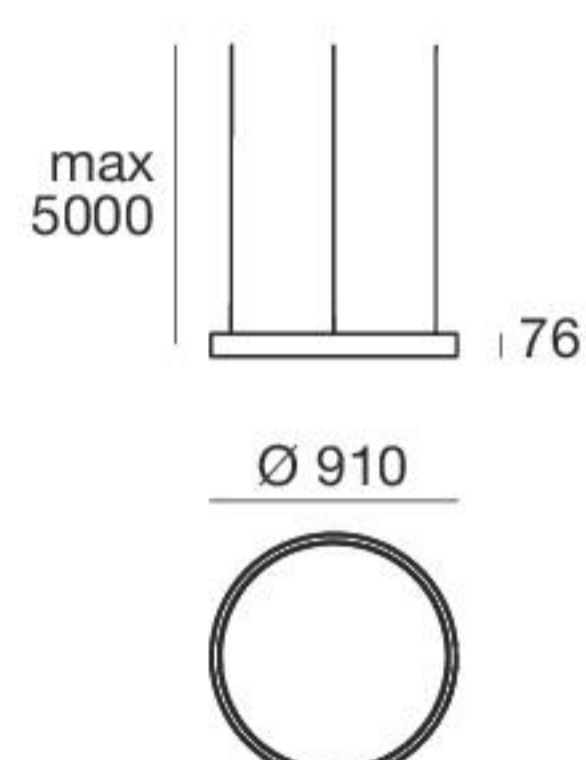
White	65300	3000 K	9356 lm	W	General	00
Black	65301	4000 K	10012 lm	N		
Nickel	65302					
Gold	63711					
Bronze	65304					
Rose gold	65305					

Electronics



99374	99332	99722
ON/OFF	0/1-10V	DALI
1 art.	1 - 2 art.	1 art.

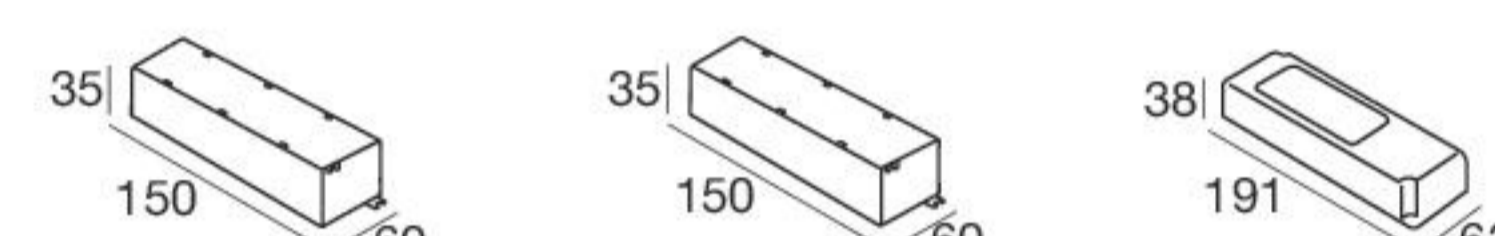
Tour_D | Pendant Luminaires | 24 V | topLED 90 W



Use a dual driver for dual lighting

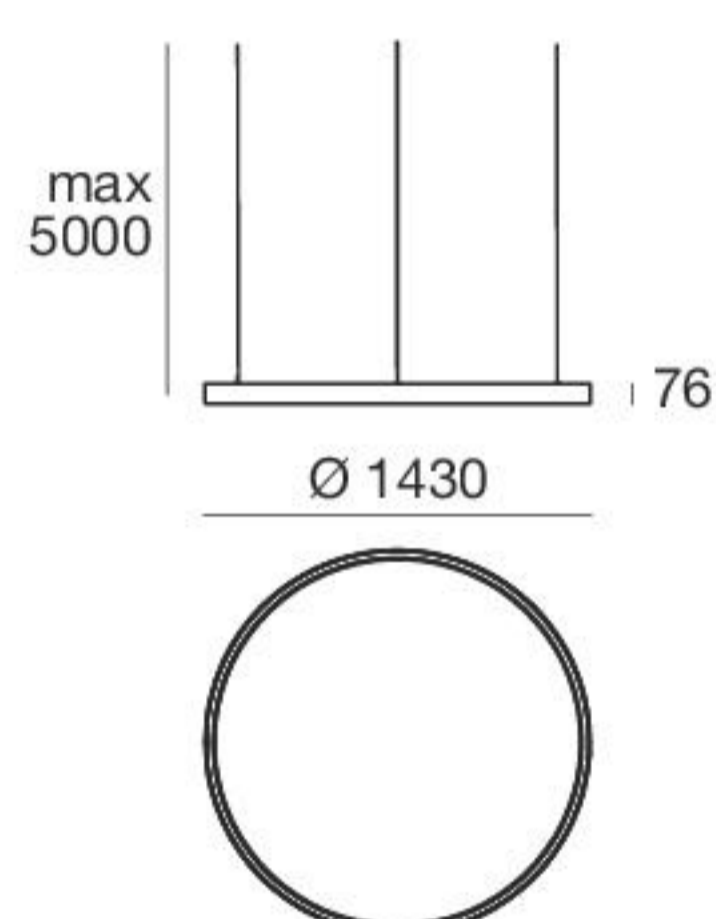
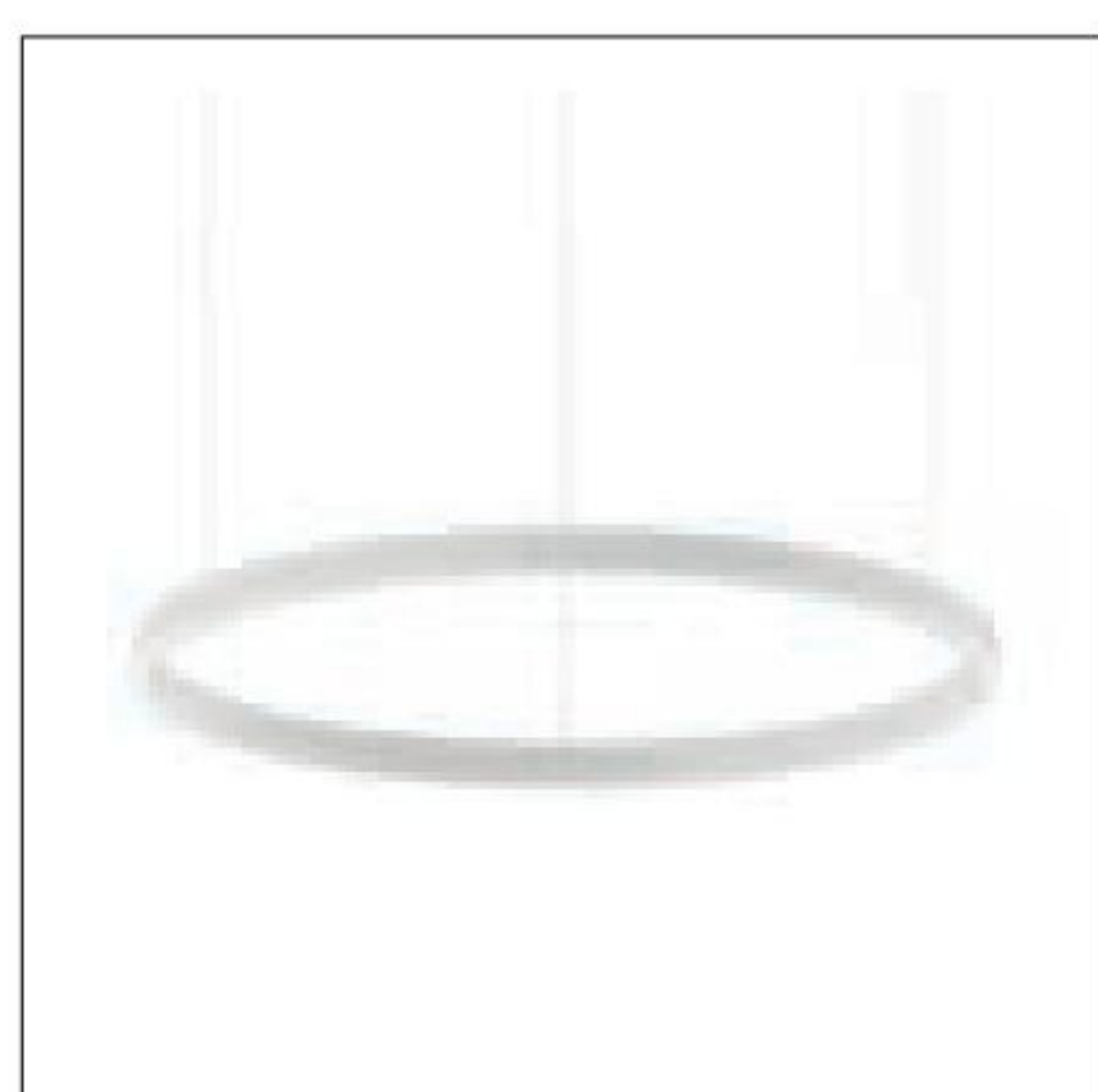
White	65306	3000 K	11894 lm	W	General	00
Black	65307	4000 K	12278 lm	N		
Nickel	65308					
Gold	63712					
Bronze	65310					
Rose gold	65311					

Electronics



99331	99332	99722
ON/OFF	0/1-10V	DALI
1 art.	1 art.	1 art.

Tour_D | Pendant Luminaires | 24 V | topLED 140 W



Use a dual driver for dual lighting

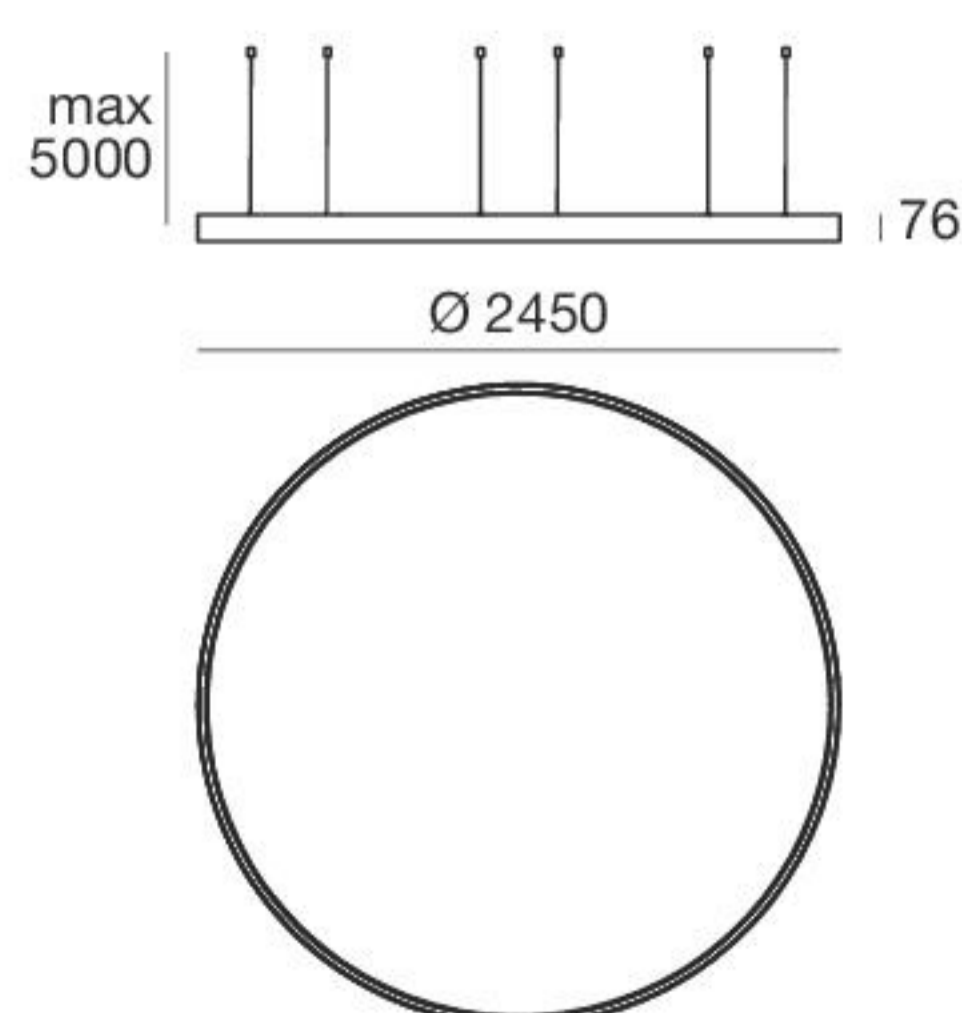
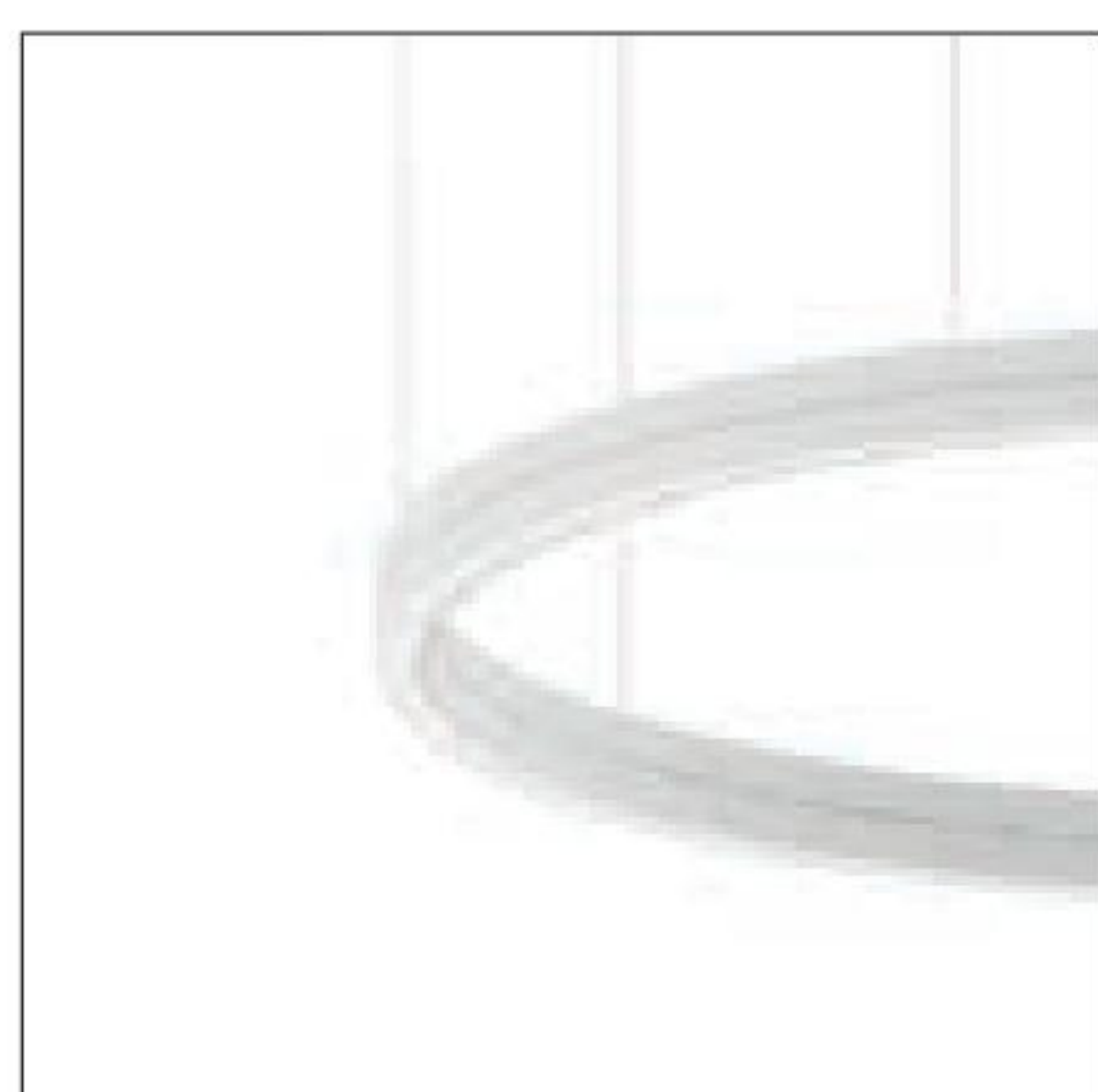
White	65312	3000 K	18710 lm	W	General	00
Black	65313	4000 K	19646 lm	N		
Nickel	65314					
Gold	63713					
Bronze	65316					
Rose gold	65317					

Electronics



99331	99332	99787
ON/OFF	0/1-10V	DALI
1 art.	1 art.	1 art.

Tour_D | Pendant Luminaires | 24 V | topLED 224 W



Use a dual driver for dual lighting

White	65318	3000 K	31176 lm	W	General	00
Black	65319	4000 K	32734 lm	N		
Nickel	65320					
Gold	63714					
Bronze	65322					
Rose gold	65323					

Electronics



99786	99787
ON/OFF	DALI
1 art.	1 art.