

Specialty - CRI 98

White	<b>81647</b>	3000 K	1948 lm	<b>W</b>	Spot	<b>15</b>
Black	<b>81648</b>				Medium Flood	<b>30</b>
					Flood	<b>60</b>

Fidelity - CRI 98

White	<b>81645</b>	3000 K	1948 lm	<b>W</b>	Spot	<b>15</b>
Black	<b>81646</b>	4000 K	2141 lm	<b>N</b>	Medium Flood	<b>30</b>
					Flood	<b>60</b>

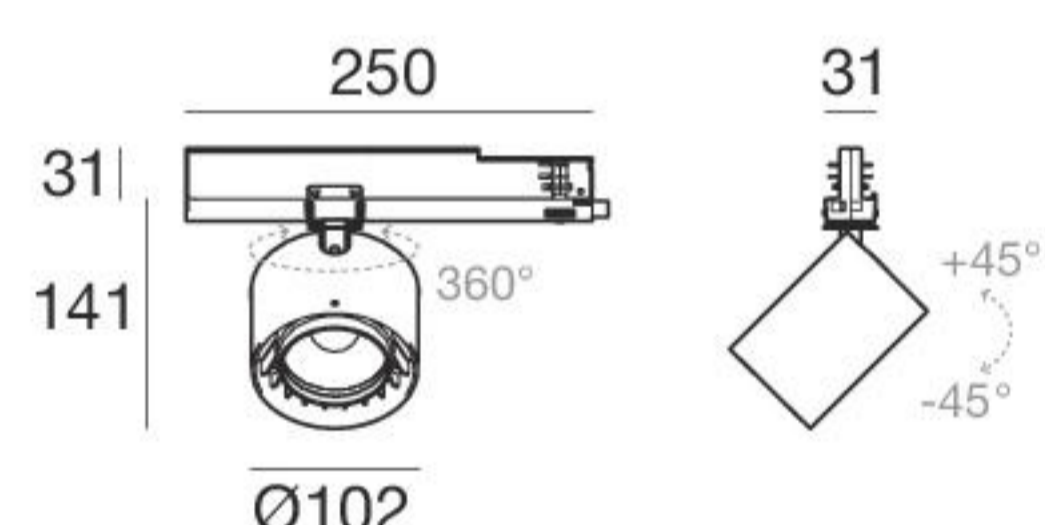
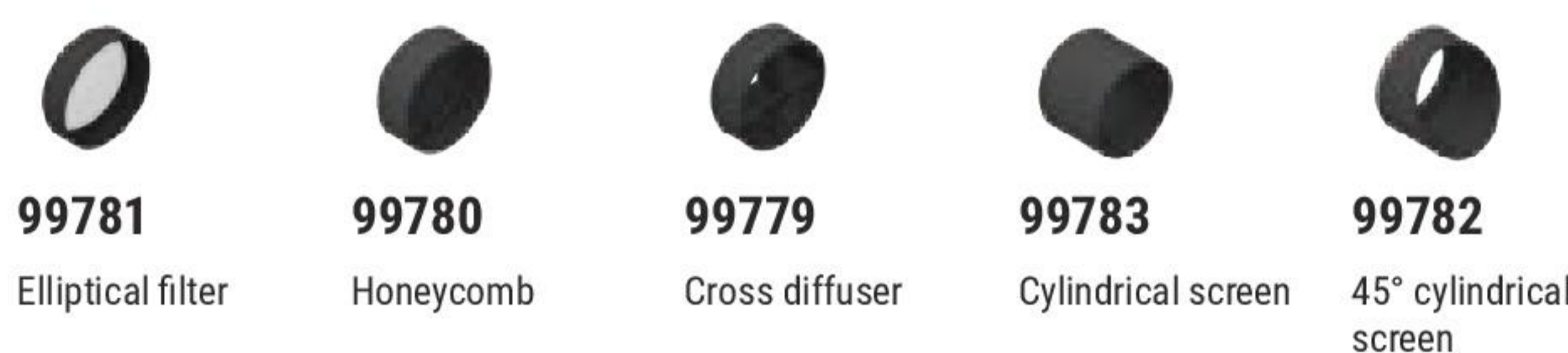
Balance - CRI 92

White	<b>81643</b>	2700 K	2124 lm	<b>M</b>	Spot	<b>15</b>
Black	<b>81644</b>	3000 K	2224 lm	<b>W</b>	Medium Flood	<b>30</b>
		4000 K	2390 lm	<b>N</b>	Flood	<b>60</b>

Optics



Accessories



Specialty - CRI 98

White	<b>81653</b>	3000 K	2956 lm	<b>W</b>	Spot	<b>15</b>
Black	<b>81654</b>				Medium Flood	<b>30</b>
					Flood	<b>60</b>

Fidelity - CRI 98

White	<b>81651</b>	3000 K	2956 lm	<b>W</b>	Spot	<b>15</b>
Black	<b>81652</b>	4000 K	3247 lm	<b>N</b>	Medium Flood	<b>30</b>
					Flood	<b>60</b>

Balance - CRI 92

White	<b>81649</b>	2700 K	3220 lm	<b>M</b>	Spot	<b>15</b>
Black	<b>81650</b>	3000 K	3373 lm	<b>W</b>	Medium Flood	<b>30</b>
		4000 K	3626 lm	<b>N</b>	Flood	<b>60</b>



Accessories

