

Balance - CRI 92

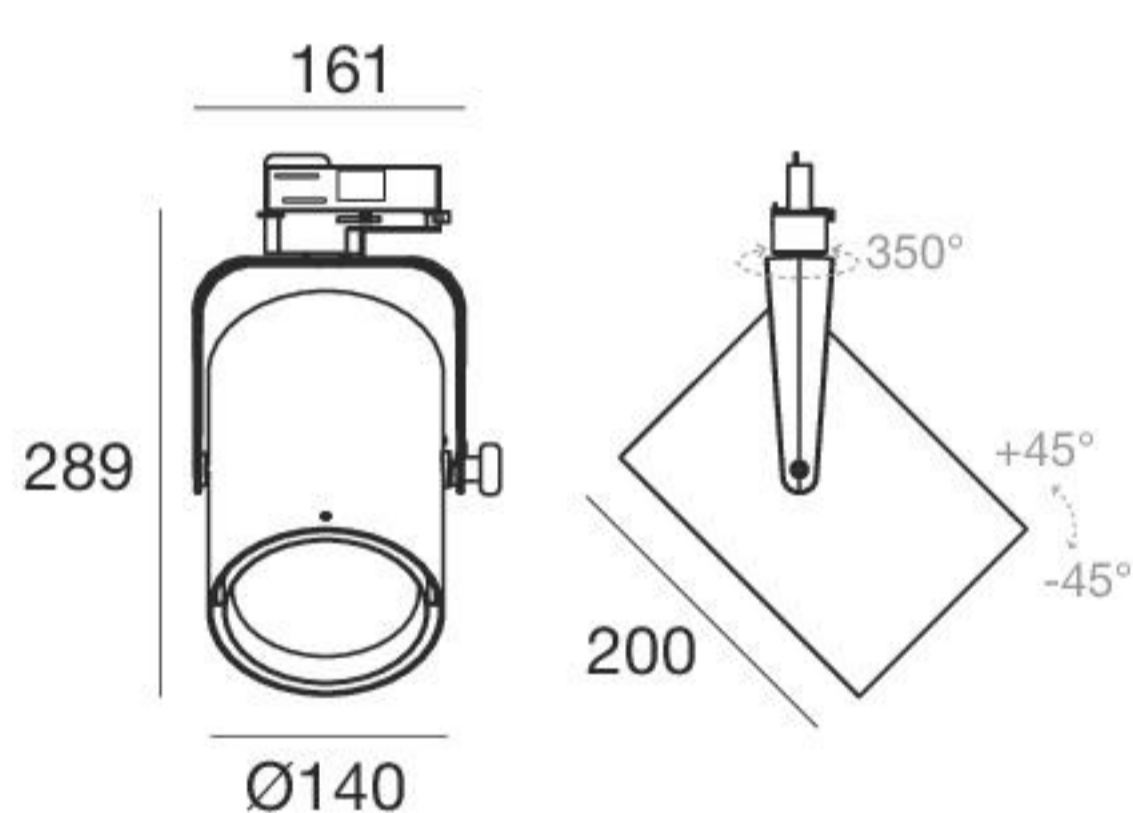
White	<b>93858</b>	2700 K	4884 lm	<b>M</b>	Spot	<b>15</b>
Black	<b>93859</b>	3000 K	5223 lm	<b>W</b>	Medium Flood	<b>30</b>
Grey	<b>80129</b>	4000 K	5612 lm	<b>N</b>	Flood	<b>60</b>

Optics

<b>99408</b>	<b>99409</b>	<b>99410</b>	<b>99411</b>	<b>99527</b>
Spot	Medium Flood	Flood	Transparent filter	Matte filter

Accessories

<b>98517</b>	<b>98511</b>	<b>98506</b>	<b>98503</b>
Elliptical filter	Honeycomb	Cross diffuser	Cylindrical screen
<b>98504</b>	<b>98505</b>		
45° cylindrical screen	Directional blades		



Balance - CRI 92

White	<b>80248</b>	2700 K	4731 lm	<b>M</b>	Spot	<b>15</b>
Black	<b>80249</b>	3000 K	5060 lm	<b>W</b>	Medium Flood	<b>30</b>
Grey	<b>80250</b>	4000 K	5437 lm	<b>N</b>	Flood	<b>60</b>

Optics

<b>99408</b>	<b>99409</b>	<b>99410</b>	<b>99411</b>	<b>99527</b>
Spot	Medium Flood	Flood	Transparent filter	Matte filter

Accessories

<b>98517</b>	<b>98511</b>	<b>98506</b>	<b>98503</b>
Elliptical filter	Honeycomb	Cross diffuser	Cylindrical screen
<b>98504</b>	<b>98505</b>		
45° cylindrical screen	Directional blades		