

Specialty - CRI 98

| | | | | | | |
|-------|--------------|--------|---------|----------|--------------|-----------|
| White | 81671 | 3000 K | 3608 lm | W | Spot | 15 |
| Black | 81672 | | | | Medium Flood | 30 |
| | | | | | Flood | 60 |
| | | | | | Wide Flood | 90 |

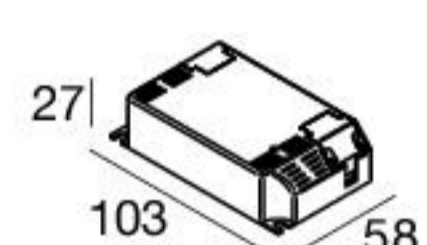
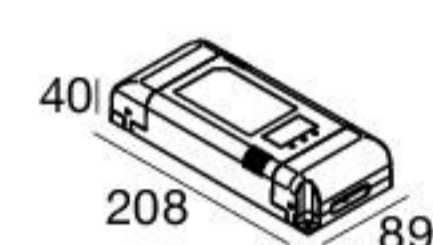
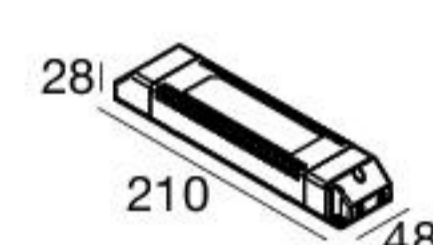
Fidelity - CRI 98

| | | | | | | |
|-------|--------------|--------|---------|----------|--------------|-----------|
| White | 81669 | 3000 K | 3608 lm | W | Spot | 15 |
| Black | 81670 | 4000 K | 3964 lm | N | Medium Flood | 30 |
| | | | | | Flood | 60 |
| | | | | | Wide Flood | 90 |

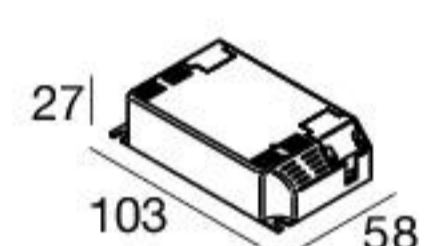
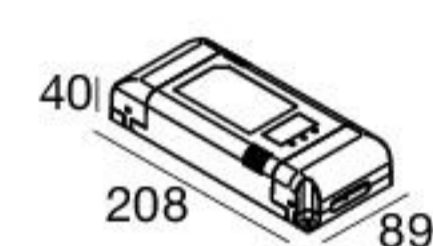
Balance - CRI 92

| | | | | | | |
|-------|--------------|--------|---------|----------|--------------|-----------|
| White | 81667 | 3000 K | 4117 lm | W | Spot | 15 |
| Black | 81668 | 4000 K | 4426 lm | N | Medium Flood | 30 |
| | | | | | Flood | 60 |
| | | | | | Wide Flood | 90 |

Electronics 25 W 700 mA

| | | |
|---|---|---|
|  <p>99147 ON/OFF 1 art.</p> |  <p>99268 0/1-10V DALI 1 art.</p> |  <p>99345 DALI 1 art.</p> |
|---|---|---|

Electronics 34 W 950 mA

| | | |
|---|---|---|
|  <p>99239 ON/OFF 1 art.</p> |  <p>99199 0/1-10V DALI 1 art.</p> |  <p>99345 DALI 1 art.</p> |
|---|---|---|

Optics

| | | |
|--|--|---|
|  <p>99808 Spot</p> |  <p>99809 Medium Flood</p> |  <p>99810 Flood</p> |
|--|--|---|

Accessories

| | | | | |
|--|--|---|---|--|
|  <p>99479 Kicker</p> |  <p>99799 Cross louvre</p> |  <p>99797 Elliptical filter</p> |  <p>99798 Honeycomb</p> |  <p>99796 Cylindrical screen</p> |
|  <p>99795 45° Cylindrical screen</p> | | | | |