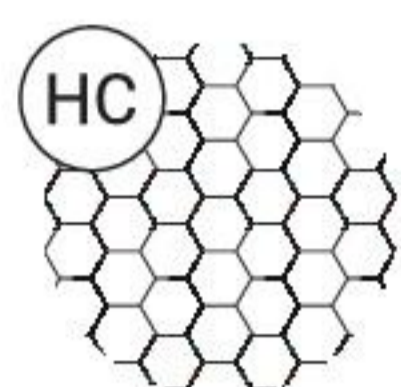
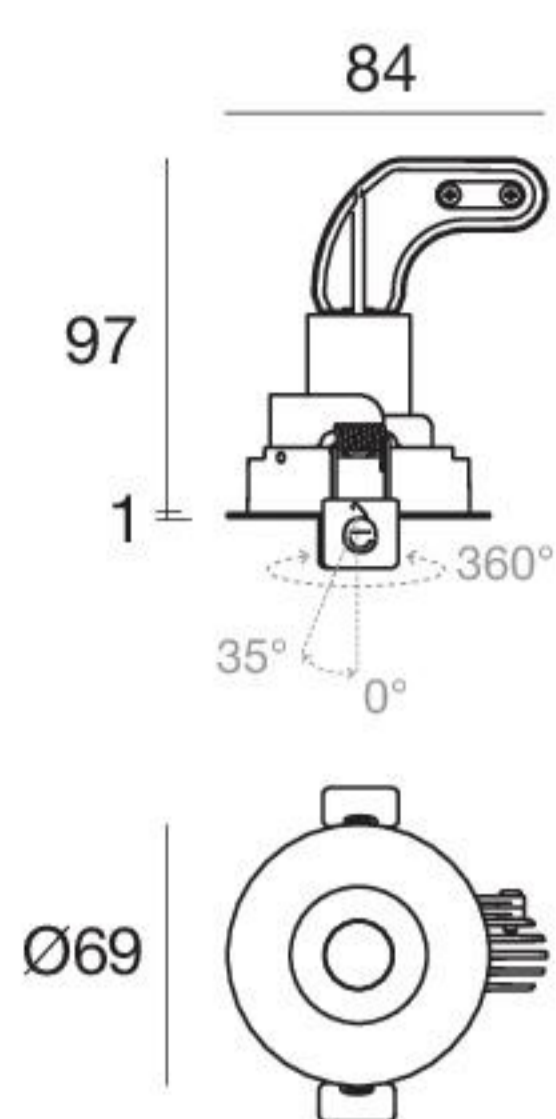


Loro_RJ | Downlight | powerLED 4 W 350 mA



62

Balance - CRI 92

White	80710	2700 K	395 lm	M	Spot	15
Black	80711	3000 K	423 lm	W	Medium Flood	30
Grey	80712	4000 K	456 lm	N	Flood	60
Gold	80713					

HC

White **80847**

Black **80848**

Grey **80849**

Gold **80850**

Efficiency - CRI 80

White	80706	2700 K	490 lm	M	Spot	15
Black	80707	3000 K	490 lm	W	Medium Flood	30
Grey	80708	4000 K	529 lm	N	Flood	60
Gold	80709					

HC

White **80843**

Black **80844**

Grey **80845**

Gold **80846**

Electronics



89147

ON/OFF
1 - 2 art.



99710

0/1-10V converter
1 art.

+ driver CV 24V



99713

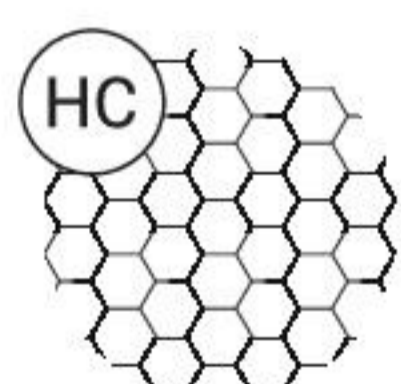
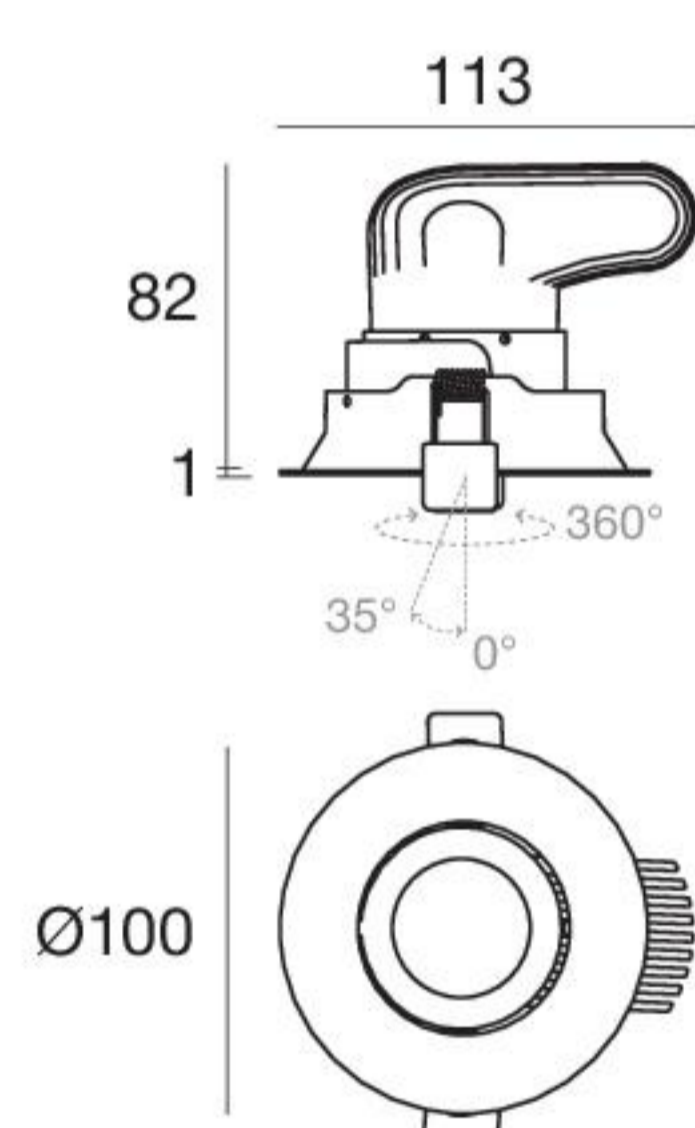
DALI converter
1 art.

+ driver CV 24V



The power supply requires a larger hole than the one indicated for the spotlight

Loro_RJ | Downlight | arrayLED 8 W 220 mA



92

Balance - CRI 92

White	93443	2700 K	883 lm	M	Spot	15
Black	93444	3000 K	943 lm	W	Medium Flood	30
Grey	93446	4000 K	1016 lm	N	Flood	60
Gold	93449					

HC

White **80855**

Black **80856**

Grey **80857**

Gold **80858**

Efficiency - CRI 80

White	93407	2700 K	1088 lm	M	Spot	15
Black	93411	3000 K	1088 lm	W	Medium Flood	30
Grey	93413	4000 K	1173 lm	N	Flood	60
Gold	93418					

HC

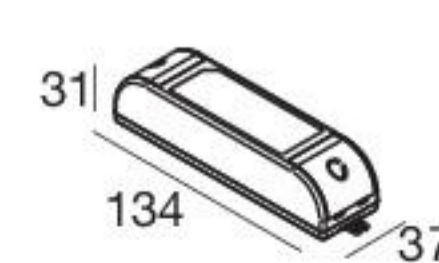
White **80851**

Black **80852**

Grey **80853**

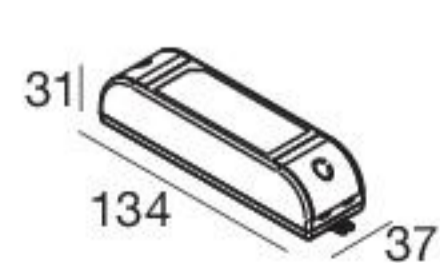
Gold **80854**

Electronics



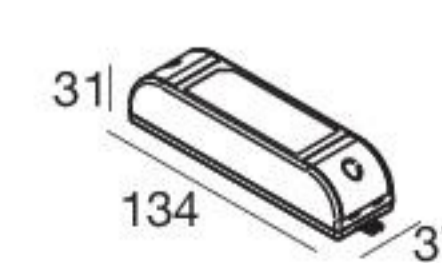
99734

ON/OFF
1 art.



99732

0/1-10V
1 art.



99730

DALI
1 art.