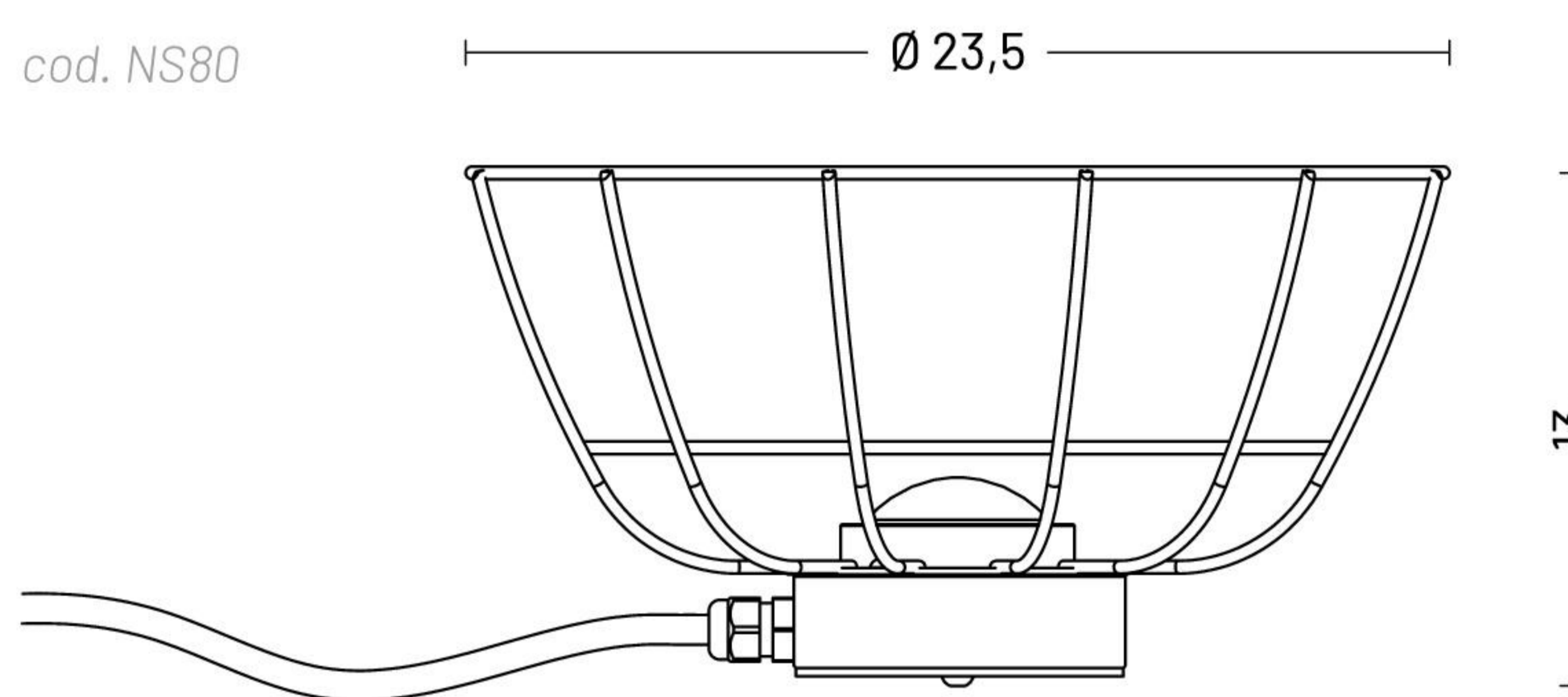
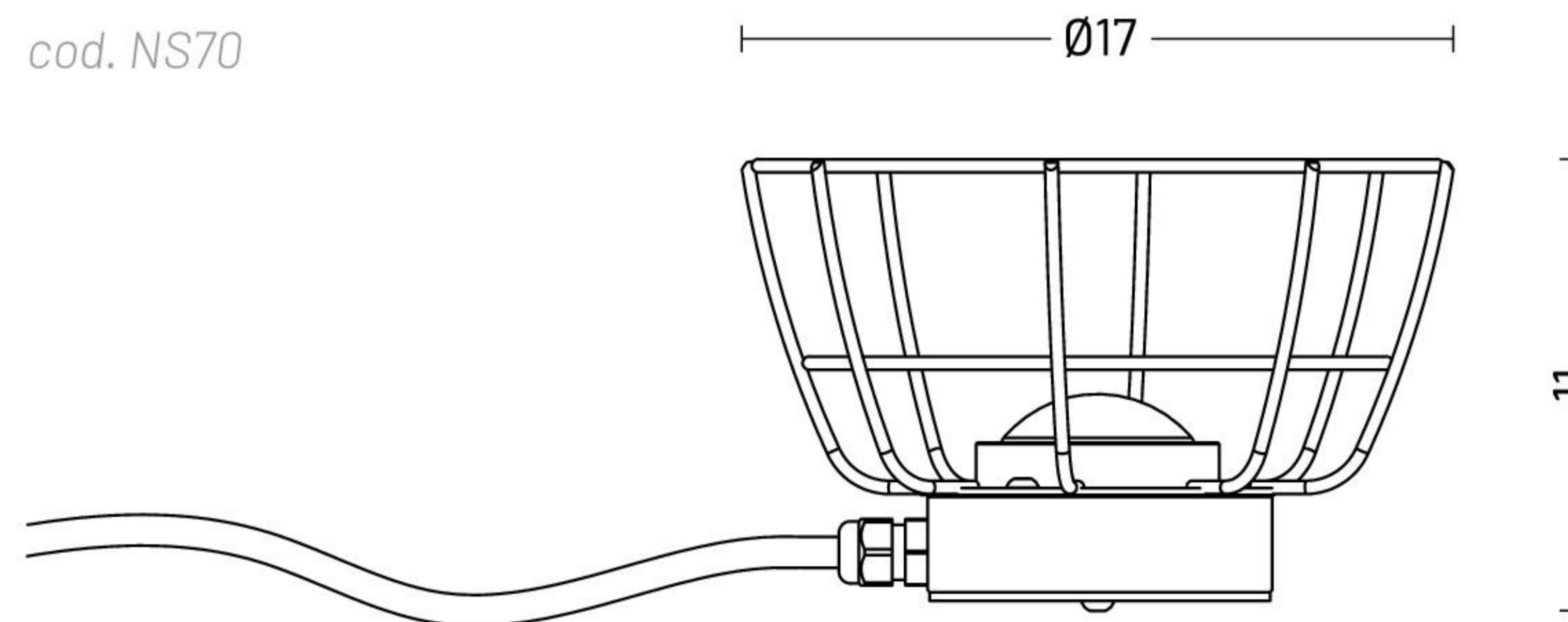


MATERIALS

Body	Welded steel frame, aluminium heatsink
Diffuser	Opal polycarbonate
Finishing	Braided willow with nanoparticle painting

ORDER CODE

NS_0 000 D H B 10 G	Diameter	7	Ø 170 mm
		8	Ø 235 mm
Example		NS 7 0 000 D H B 10 G	



INCLUDED ACCESSORIES

Code	Description	Page
0404M010	Single connection IP68	31
-	Tree rope	31

