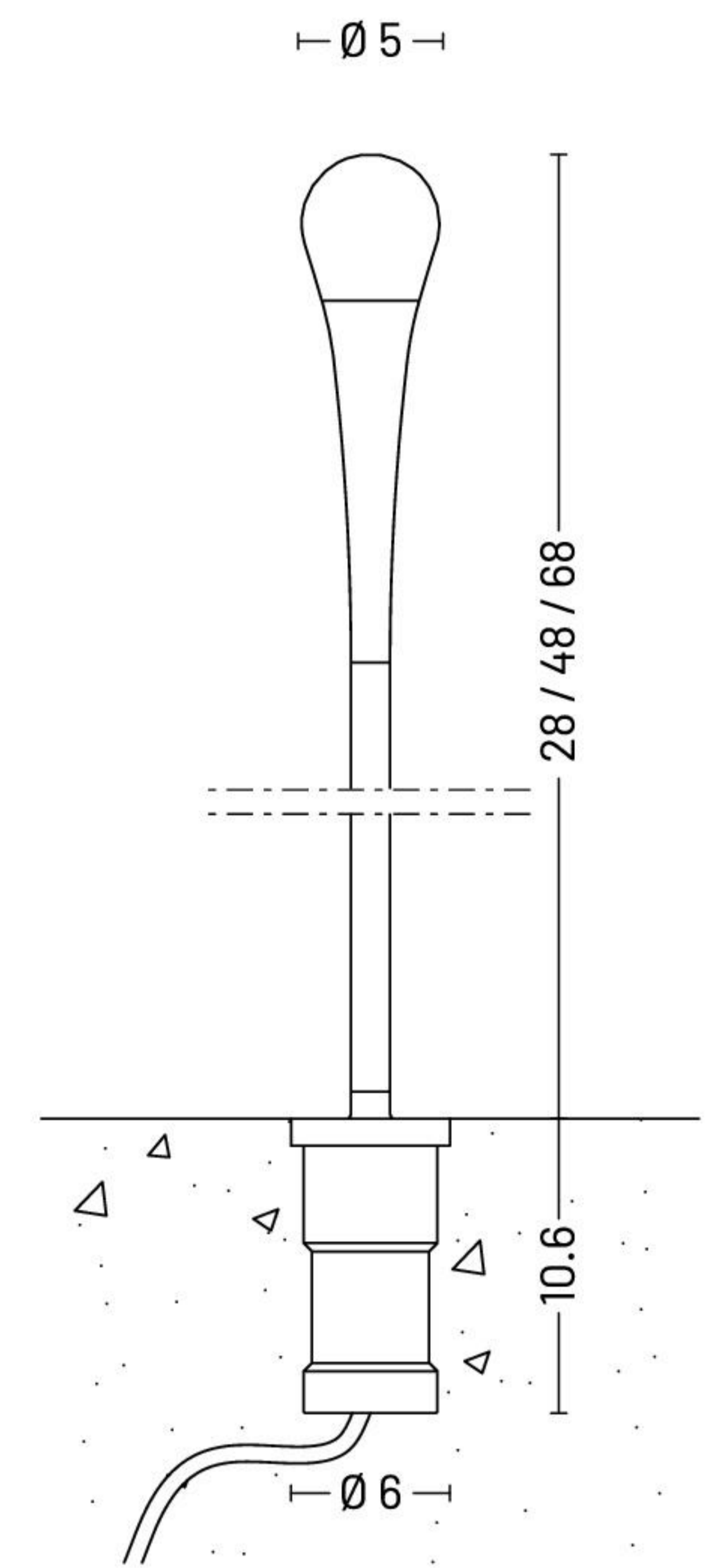
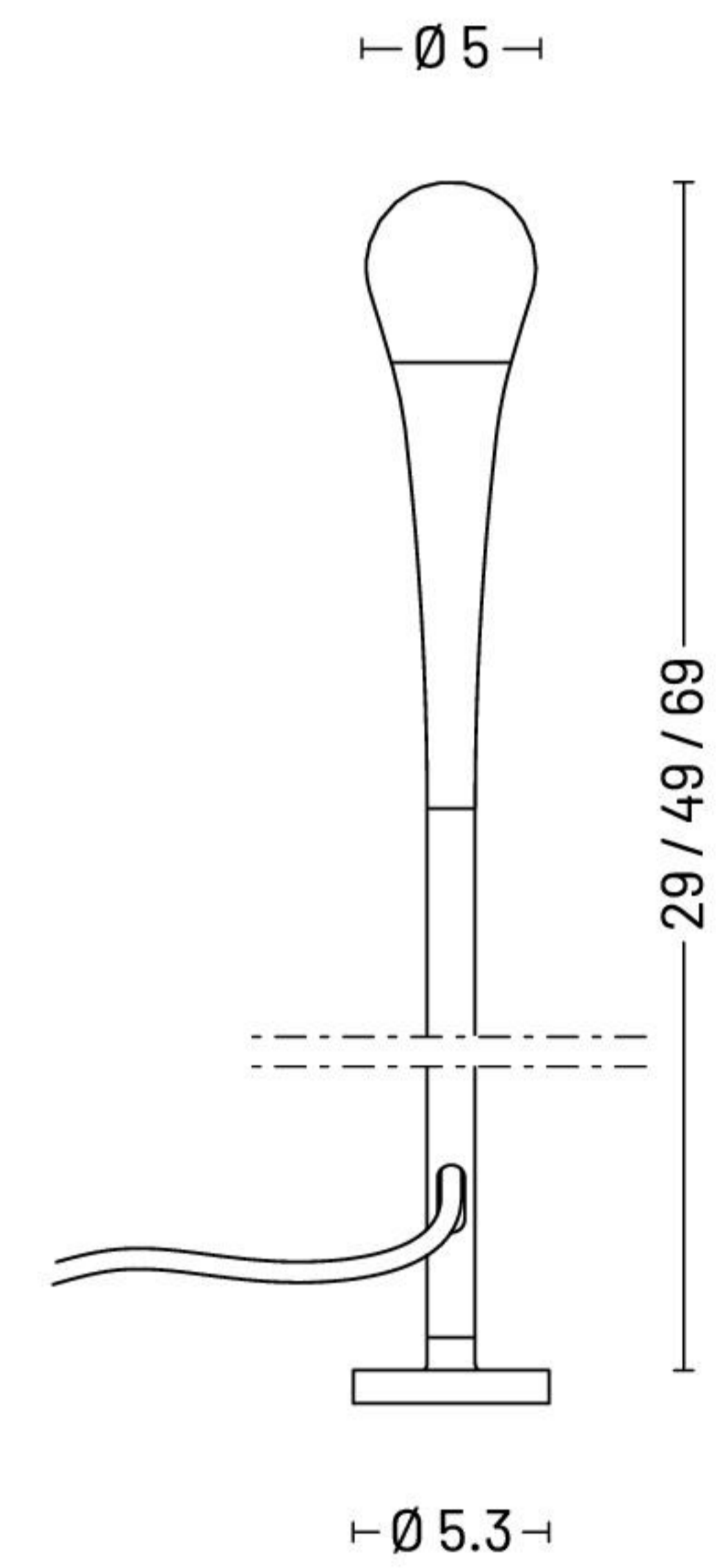


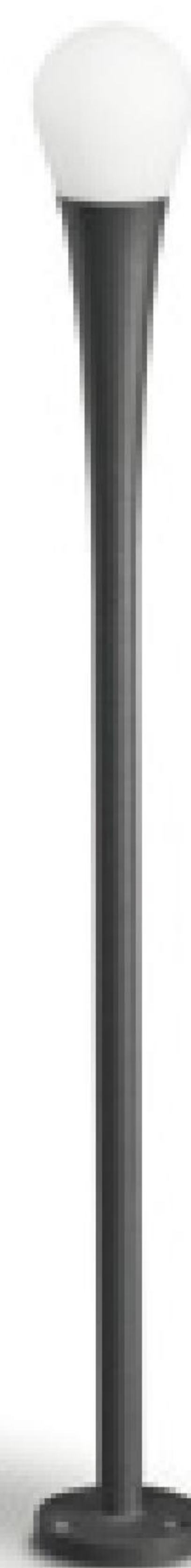
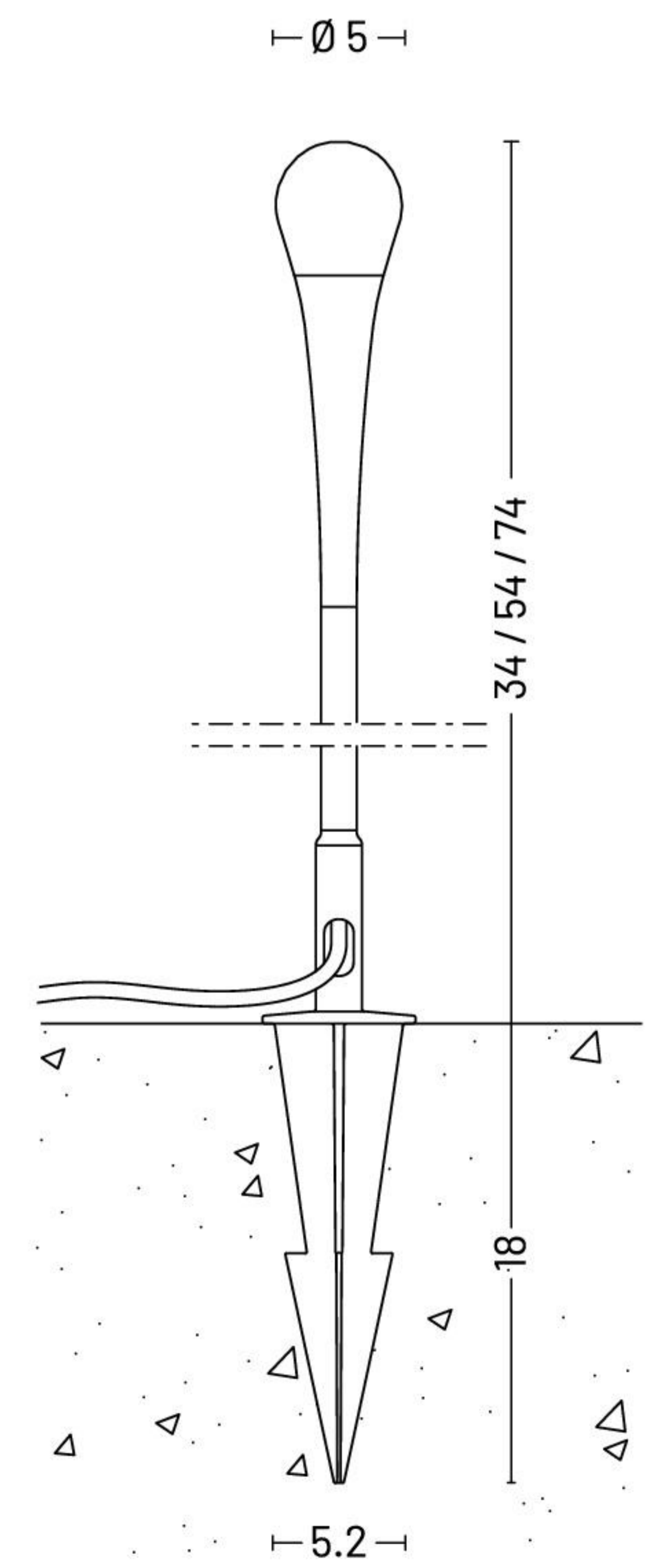
Mounting by housing box



Mounting by plate



Mounting by spike



MATERIALS

Body	Extruded aluminium EN AW6026
Diffuser	Opal PMMA
Finishing	Polyester powder paint

ORDER CODE

FI 3	XHB 7 Z			
		Finishing	L Graphite	●
			V Oxide	●
			E White	○
			D Green	●
		Height	030 ~ 30 cm	
			050 ~ 50 cm	
			070 ~ 70 cm	
		Model	0 Mounting by housing box	
			1 Mounting by plate	
			2 Mounting by spike	
		Example	FI 3 0 030 XHB 7 Z L	

INCLUDED ACCESSORIES

Code	Description	Page
-	0.5 m length cable -05RN-F	-
-	Housing box	34
-	Mounting spike	34

AVAILABLE ACCESSORIES

Code	Description	Page
0404M011	Single connection IP68	34
0409BT014	Transformer _ 24 Vdc - 12 W	34
0409BT015	Transformer _ 24 Vdc - 25 W	34
0409BT016	Transformer _ 24 Vdc - 100 W	34