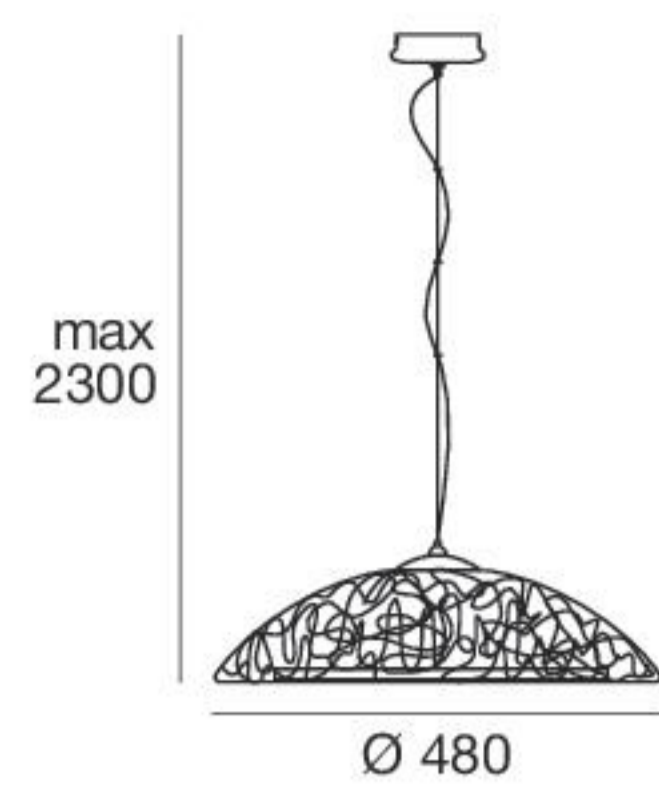
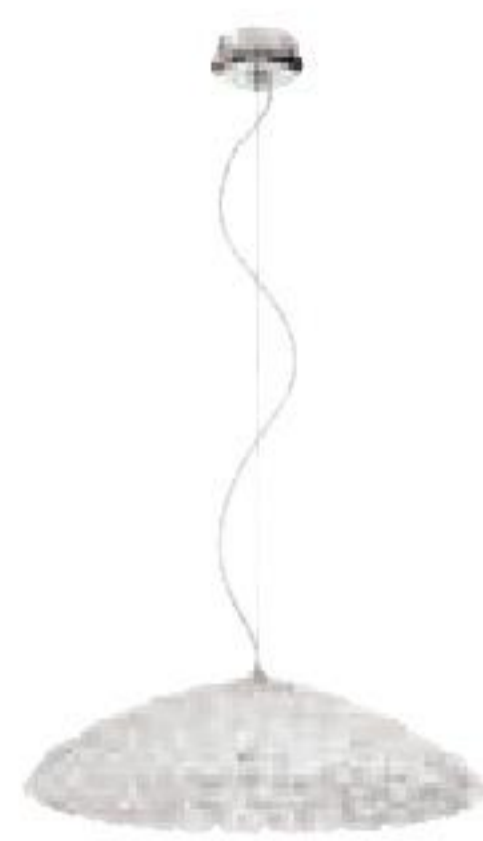
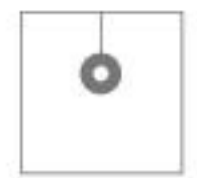


ARTIC_P1

E27 | 220-240 V



TYPE

■ TRANSPARENT

CODE

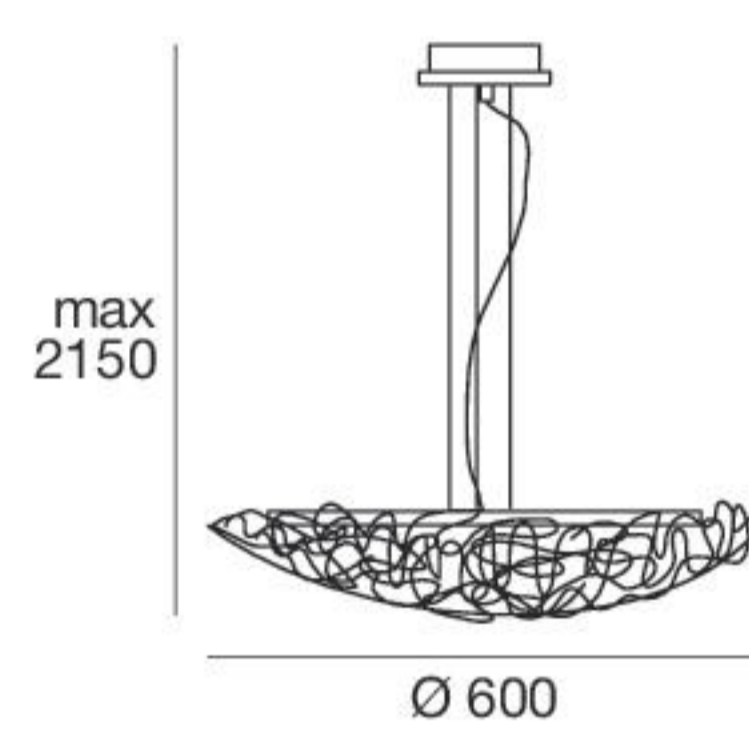
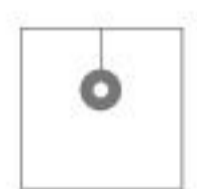
6931

SOURCE

1x57 W Max
Halogen
(LED bulbs
compatible)

ARTIC_P2

G9 | 220-240 V



TYPE

■ TRANSPARENT

CODE

4649

SOURCE

3x48 W Max
Halogen
(LED bulbs
compatible)