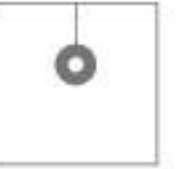
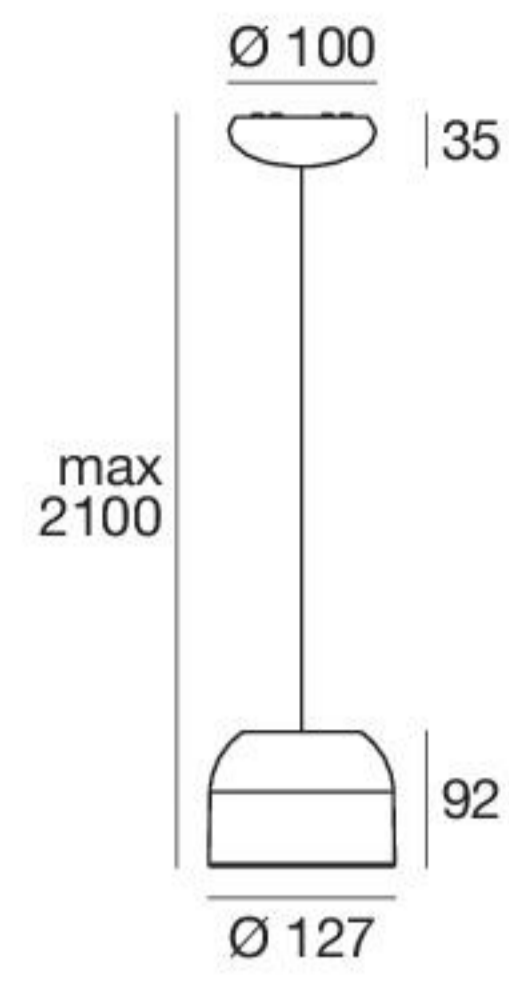


OUTLOOK_P

arrayLED 11 W | 220-240 V | CRI 80



TYPE

WHITE

CODE

8420

COLOUR

3000 K
1162 lm

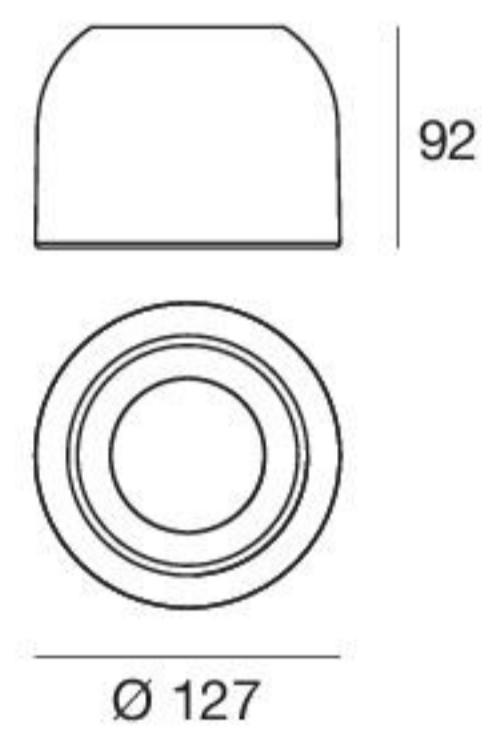
ACCESSORIES



KIT0026 | Phase-cut Dimmer (max. 100 W)

OUTLOOK_S

arrayLED 11 W | 220-240 V | CRI 80



TYPE

WHITE

CODE

8472

COLOUR

3000 K
1162 lm

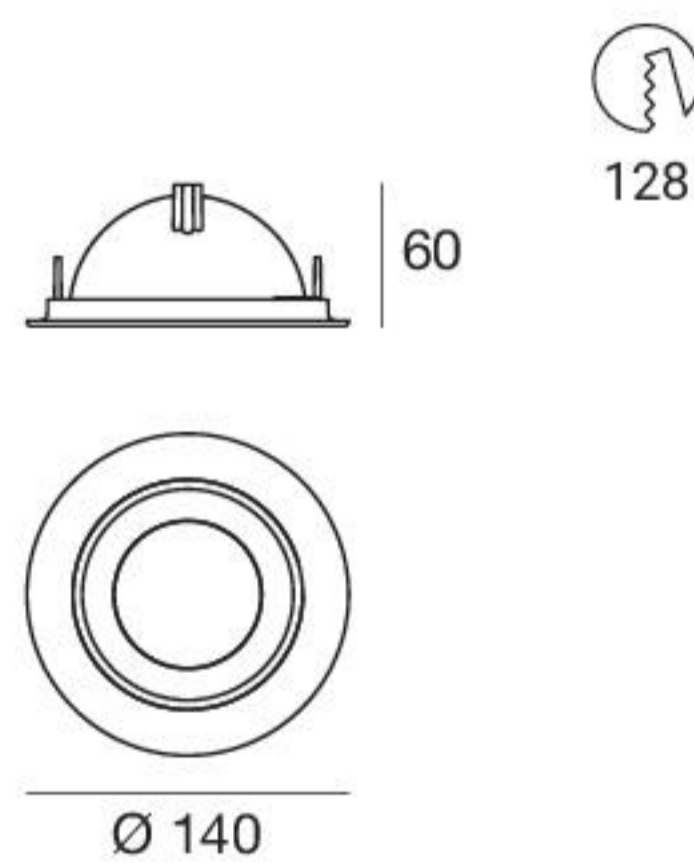
ACCESSORIES



KIT0026 | Phase-cut Dimmer (max. 100 W)

OUTLOOK_C

arrayLED 11 W | 220-240 V | CRI 80



TYPE

WHITE

CODE

8470

COLOUR

3000 K
1112 lm

ELECTRONICS



KIT0064 | Phase-cut Driver (max. 1 art.)



KIT0065 | Phase-cut Driver (max. 1-2 art.)

ACCESSORIES



KIT0026 | Phase-cut Dimmer (max. 100 W)